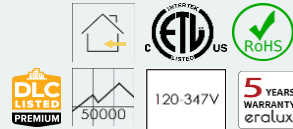




eralux®



# TITAN ELITE

## INDUSTRIAL FIXTURES

Rectangular High Bay

The TITAN ELITE series is the ultimate solution for warehousing enabling a range of applications due to the switchable lumens package, CCT and a rotatable light engine. The rotatable light engine enables the creation of specific light distribution on site to adapt to the specific applications. Efficient, powerful, versatile: TITAN Elite.

DATE				
PROJECT NAME				
<b>TYPE</b>				
QTY				
ORDERING CODE	AE-IL-TT2-CA	FT	W -	-3550K

### OPERATING & ELECTRICAL

INPUT VOLTAGE	120-347V
POWER FACTOR	0.9
DIMMING	0-10V
TOTAL HARMONIC DISTORTION (THD)	<20%

### PERFORMANCE

LUMENS PER WATT	135 LPW at 80CRI
POWER	120/165/225W, 165/225/300W
BEAM ANGLE	90°

### MECHANICAL & HOUSING

HOUSING	22-gauge painted sheet metal
LENS	Highly durable polycarbonate lens ensures high efficiency light output for a clean, evenly illuminated surface with minimal glare. High transmittance lens allowing for a smooth, diffused light pattern.
FINISH	White
POWER SUPPLY	Factory wired electronic LED driver
LED BOARD	LED array
OPTICS ROTATION	Up to 100° Extorsion 80°, intorsion 20°

### APPLICATION CONSION

AMBIENT TEMPERATURE RANGE	-40 to 45°C
---------------------------	-------------

### COMPATIBLE MOUNTING

MOUNTING	Suspended Pole Mount
----------	----------------------

### WARRANTY

#### SYSTEM WARRANTY – 5 YEARS

Eralux will warrant defective drivers, LEDs and boards for 5 years from the date of purchase. This warranty is valid only if the fixture is installed and used as per installation guides and specifications. If a defect is present, Eralux will send drivers and boards at no fee with a thorough replacement instructions along with instructions on the return of the defective parts back to Eralux.

#### LUMEN MAINTENANCE – L70 at 50,000 hours

Rated for 70% initial lumen output at 50,000 hours of operation, operated at 25°C ambient temperature; per guidelines published by the Illuminating Engineering Society (IES).

Visit <https://qpl.designlights.org/> to confirm qualification."

# TITAN ELITE

INDUSTRIAL FIXTURES

Rectangular High Bay

DATE					
PROJECT NAME					
TYPE					
QTY					
ORDERING CODE	AE-IL-TT2-CA	FT	W	-	-3550K

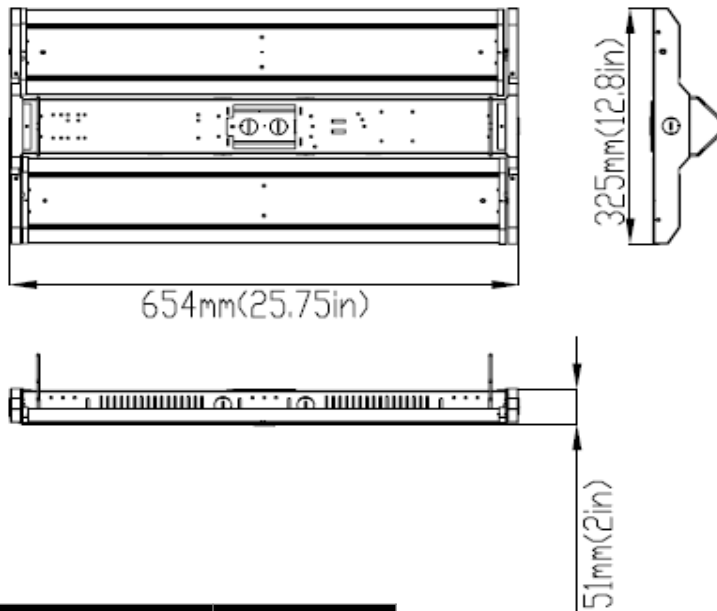
## ORDERING GUIDE

EXAMPLE: AE-IL-TT2CA2FT225W-D-3550K

FIXTURE FAMILY	VOLTAGE	SIZE	POWER	CONTROLS	CCT
<b>AE-IL-TT2</b>	<b>-CA</b>	<b>FT</b>	<b>W</b>	<b>-</b>	<b>-3550K</b>
<b>AE-IL-TT2</b> ERALUX Titan ELITE industrial fixtures rectangular high bay	<b>-CA</b> 120-347Vac input voltage range	<b>2FT</b> 2 feet length	<b>225W</b> 225 watts: 30,375 lumens 225/165/120W	<b>-D</b> 0-10V dimming down to 10%	<b>-3550K</b> 3500K/ 4000/ 5000 CCT Switchable
		<b>4FT</b> 4 feet length	<b>300W</b> 300 watts: 40,500 lumens 300/225/165W	<b>-MS</b> Motion Sensor	

## PRODUCT DIMENSIONS

AE-IL-TT2CA2FTXXXW-D-XXX



## DLC MODELS

DLC MODELS	PRODUCT ID
AE-IL-TT2CA2FT225W-XX-3550K	S-316FY9
AE-IL-TT2CA4FT300W-XX-3550K	S-2Z43CR

# TITAN ELITE

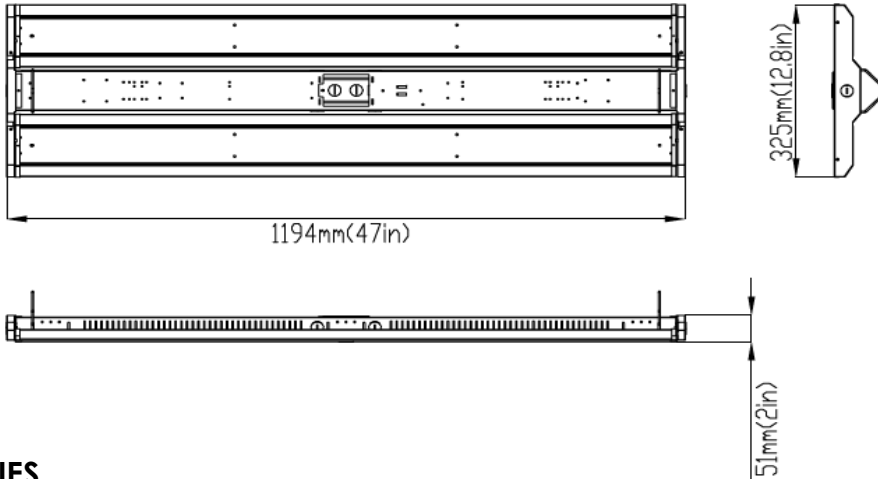
INDUSTRIAL FIXTURES

Rectangular High Bay

DATE				
PROJECT NAME				
<b>TYPE</b>				
QTY				
ORDERING CODE	AE-IL-TT2-CA	FT	W -	-3550K

## PRODUCT DIMENSIONS

AE-IL-TT2CA4FTXXXW-D-XXK



## ACCESSORIES

Ordered separately, field installed

PART NUMBER	DESCRIPTION	PICTURE
AE-IL-TT2-2FT-WIREGUARD AE-IL-TT2-4FT-WIREGUARD	2FT/4FT Wire Guard – 1 piece	
AE-IL-TT2-KIT-PENDANT	Two lifting ropes	
AE-IL-TT2-KIT-POLEMOUNT	Conduit mounting kit	

## LUMEN ESTIMATE

Lumen output varies based on CCT and CRI. An estimate of lumen output of the various CCT/CRI combinations, use correction factors as per table below:

LUMEN ESTIMATE ADJUSTMENT FACTORS			
CCT	3500K	4000K	5000K
NORMAL (80CRI)	0.97	1	1.03

# TITAN ELITE

INDUSTRIAL FIXTURES

Rectangular High Bay

DATE				
PROJECT NAME				
<b>TYPE</b>				
QTY				
ORDERING CODE	AE-IL-TT2-CA	FT	W -	-3550K

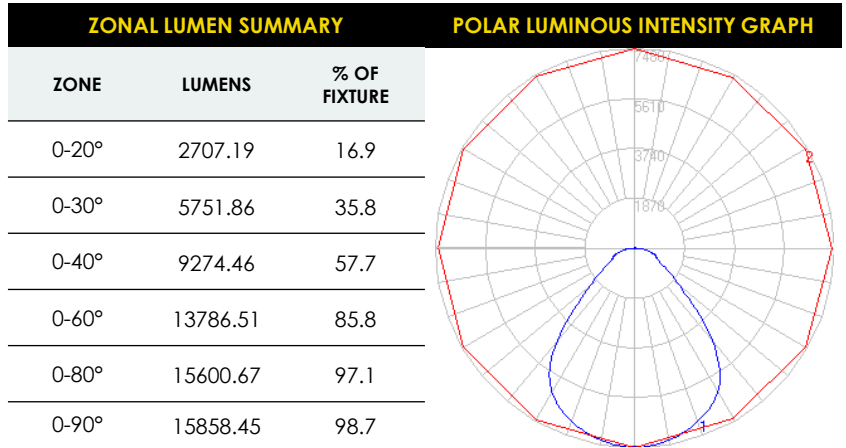
## PHOTOMETRIC DATA

AE-IL-TT2CA2FT225W-D-3550K

120 WATTS

90 DEGREE

3500 CCT

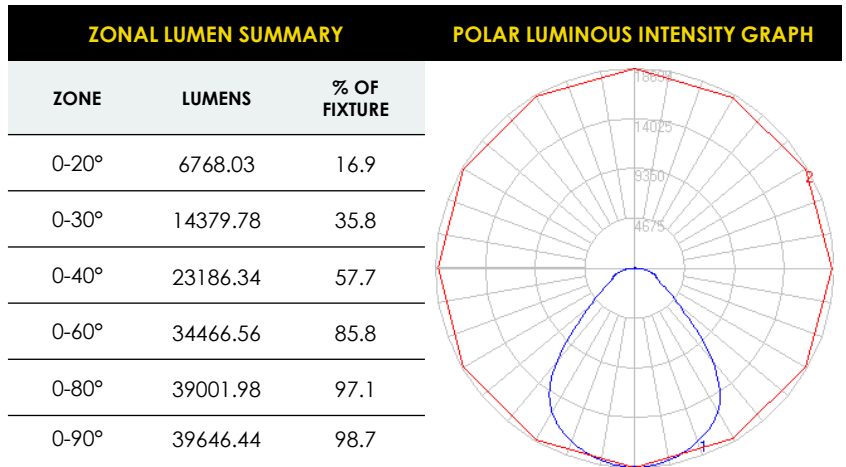


AE-IL-TT2CA4FT300W-D-3550K

300 WATTS

900 DEGREE

3500 CCT



## DIMMER COMPATIBILITY LIST

0-10V Dimmer
LUTRON DVSTV
LUTRON NTSTV-DV
LUTRON DVTV
LEVITON AWSMT-7DW
LEVITON DD710-BDZ

0-10V Dimmer
LEVITON DS710-10Z
LEGRAND WS4FBL3PTC
LEGRAND RH4FBL3PTC
COOPER SF10P
HUBBLE LHD-IRS3-N-WH

# TITAN ELITE

INDUSTRIAL FIXTURES

Rectangular High Bay

DATE					
PROJECT NAME					
TYPE					
QTY					
ORDERING CODE	AE-IL-TT2-CA	FT	W -	-3550K	

## Energy savings breakdown for traditional lamp to led conversion ERALUX



HID 400W	
System Power	460W



TT2	2FT
Power	120W
Lumens	16,200



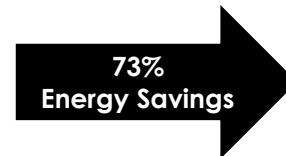
6L T5HO	
System Power	350W



TT2	2FT
Power	165W
Lumens	22,275



HID 750W	
System Power	840W



TT2	2FT
Power	225W
Lumens	30,375



HID 850W	
System Power	955W



TT2	4FT
Power	300W
Lumens	40,500

DATE				
PROJECT NAME				
<b>TYPE</b>				
QTY				
ORDERING CODE	AE-IL-TT2-CA	FT	W -	-3550K

## ACCESSORIES (Continued)

Ordered separately, field installed

### EMERGENCY LED DRIVER (BLD-UM60D/R-YYY)

BLD-UM60D/R-YYY

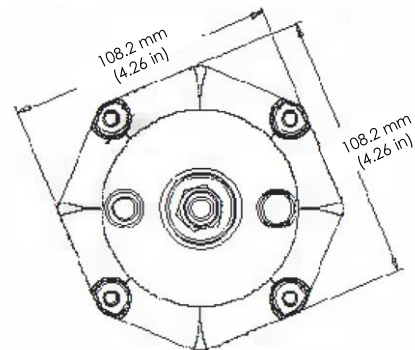
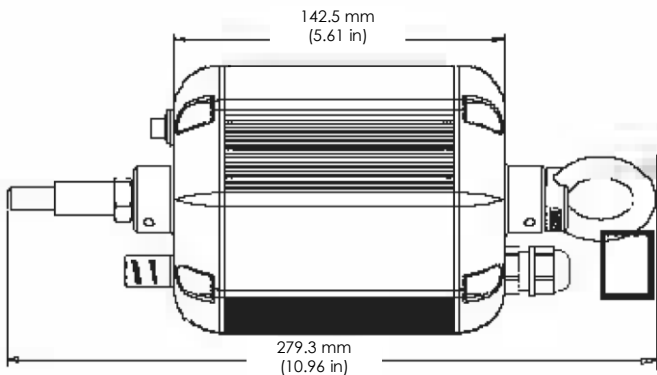
OUTPUT POWER : 60 WATTS



- Easy Wiring
- Certified For CA Title 20
- Constant Power Performance

BLD-UMXXX-YYY series LED Emergency Driver is UL listed for field and factory installation that allows the same LED fixture to be used for both normal and emergency operation. In the event of a power failure, the emergency driver switches to emergency mode and operates the fixture for to 90 minutes. The unit contains a battery, charge, and converter circuit in a single enclosure. This module will operate a LED array load at 30-60W with constant power at a rated output voltage of 170VDC. The constant power design of BLD-UMXXX-YYY maintains the output wattage to the LED array, providing consistent illumination for the entire emergency runtime. Ideal for use with most 0-10V dimmable indoor industrial LED lighting fixtures, such as LED flat panel, troffer, and suspension mounting UFOs lights, etc.

### DIMENSIONS (inches and mm)



# TITAN ELITE

INDUSTRIAL FIXTURES

Rectangular High Bay

DATE					
PROJECT NAME					
TYPE					
QTY					
ORDERING CODE	AE-IL-TT2-CA	FT	W -	-3550K	

## OVERVIEW

### HIGH-EFFICACY OUTPUT

High-lumen output up to 135 lumens per watt provides strong yet comforting lighting effect.

### MULTIPLE POWER OUTPUT OPTIONS

Various and selectable lumens/power output options providing an unparalleled level of fixture flexibility for each projects.



### ACCESSORIES

Steady metal chain guarantee the mounting effect on high ceilings. Wire guards and several mounting options available.

### ROTATABLE LIGHT ENGINE

A unique feature that enables customization of the light distribution on site to adapt to various specific applications, Up to 100°; extorsion 80°, intorsion 20°

