



eralux®



TITAN ELITE

INDUSTRIAL FIXTURE

Linear High Bay

The TITAN ELITE series is the ultimate solution for warehousing, enabling a range of applications due to the switchable lumens package, CCT and a tiltable light engine. The tiltable light engine can be rotated on site to enable unique light distributions to fit any project space. Efficient, powerful, versatile: TITAN ELITE.

DATE				
PROJECT NAME				
TYPE				
QTY				
ORDERING CODE	AE-IL-TT2-CA	FT	W -	-3550K

OPERATING & ELECTRICAL

INPUT VOLTAGE	120-347V
POWER FACTOR	0.9
DIMMING	0-10V
TOTAL HARMONIC DISTORTION (THD)	<20%

PERFORMANCE

LUMENS PER WATT	135 LPW at 80CRI
POWER	120/165/225W, 165/225/300W
BEAM ANGLE	90°

MECHANICAL & HOUSING

HOUSING	22-gauge painted sheet metal
LENS	Highly durable polycarbonate lens
FINISH	White
POWER SUPPLY	Factory wired electronic LED driver
LED BOARD	LED array
OPTICS TILT	Up to 100° 80° outward, 20° inward

APPLICATION CONSION

AMBIENT TEMPERATURE RANGE	-40 to 45°C
---------------------------	-------------

COMPATIBLE MOUNTING

MOUNTING	Suspended Pendant Mount Surface Mount
----------	---

WARRANTY

SYSTEM WARRANTY – 5 YEARS

Eralux will warrant defective drivers, LEDs and boards for 5 years from the date of purchase. This warranty is valid only if the fixture is installed and used as per installation guides and specifications. If a defect is present, Eralux will send drivers and boards at no fee with a thorough replacement instructions along with instructions on the return of the defective parts back to Eralux.

LUMEN MAINTENANCE – L70 at 50,000 hours

Rated for 70% initial lumen output at 50,000 hours of operation, operated at 25°C ambient temperature; per guidelines published by the Illuminating Engineering Society (IES).



"DesignLights Consortium® (DLC) qualified product. Not all versions of this product may be DLC qualified. Please check the DLC Qualified Products List at www.designlights.org/QPL to confirm which versions are qualified"

TITAN ELITE

INDUSTRIAL FIXTURE

Linear High Bay

DATE					
PROJECT NAME					
TYPE					
QTY					
ORDERING CODE	AE-IL-TT2-CA	FT	W	-	-3550K

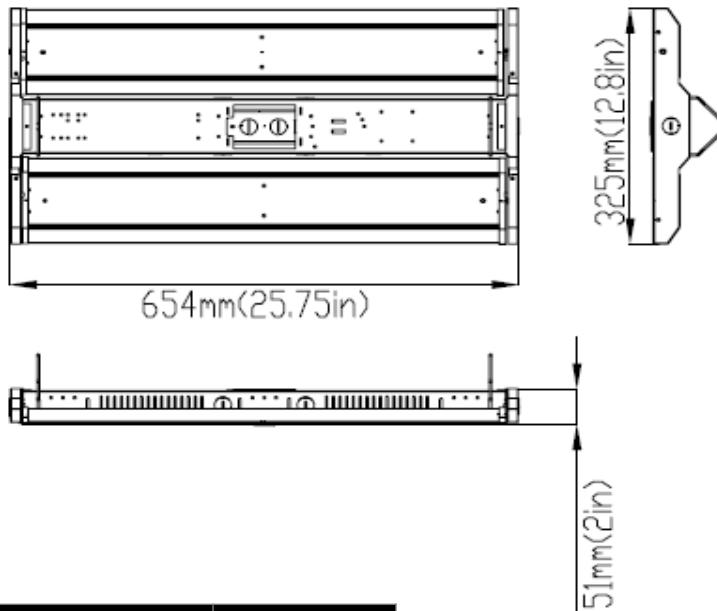
ORDERING GUIDE

EXAMPLE: AE-IL-TT2CA2FT225W-D-3550K

FIXTURE FAMILY	VOLTAGE	SIZE	POWER	CONTROLS	CCT
AE-IL-TT2	-CA	FT	W	-	-3550K
AE-IL-TT2 ERALUX Titan ELITE industrial fixture linear high bay	-CA 120-347Vac input voltage range	2FT 2 feet length	225W 225 watts: 30,375 lumens 225/165/120W	-D 0-10V dimming down to 10%	-3550K 3500K/ 4000/ 5000 CCT Switchable
		4FT 4 feet length	300W 300 watts: 40,500 lumens 300/225/165W	-MS Motion Sensor	

PRODUCT DIMENSIONS

AE-IL-TT2CA2FTXXXW-D-XXX



DLC MODELS

DLC MODELS	PRODUCT ID
AE-IL-TT2CA2FT225W-XX-3550K	S-316FY9
AE-IL-TT2CA4FT300W-XX-3550K	S-2Z43CR

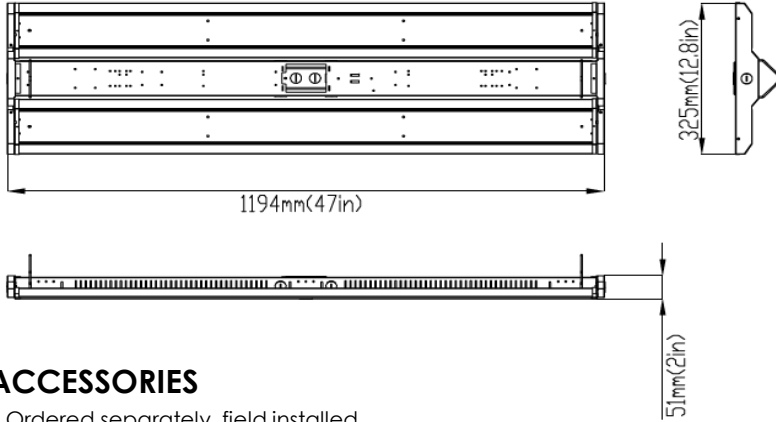
TITAN ELITE

INDUSTRIAL FIXTURE
Rectangular High Bay

DATE				
PROJECT NAME				
TYPE				
QTY				
ORDERING CODE	AE-IL-TT2-CA	FT	W -	-3550K

PRODUCT DIMENSIONS

AE-IL-TT2CA4FTXXXW-D-XXK



ACCESSORIES

Ordered separately, field installed

PART NUMBER	DESCRIPTION	PICTURE
AE-IL-TT2-2FT-WIREGUARD AE-IL-TT2-4FT-WIREGUARD	2FT/4FT Wire Guard (1 piece)	
AE-IL-TT2-KIT-SUSP	Suspension Kit: Aircraft cables (2 pieces)	
AE-IL-TT2-KIT-PENDANT	Pendant Mount Kit: Bracket for mounting conduit (conduit supplied by others)	
AE-IL-TT2-SMK	Surface Mount Kit: Brackets (2 pieces)	

LUMEN ESTIMATE

Lumen output varies based on CCT and CRI. An estimate of lumen output of the various CCT/CRI combinations, use correction factors as per table below:

LUMEN ESTIMATE ADJUSTMENT FACTORS			
CCT	3500K	4000K	5000K
NORMAL (80CRI)	0.97	1	1.03

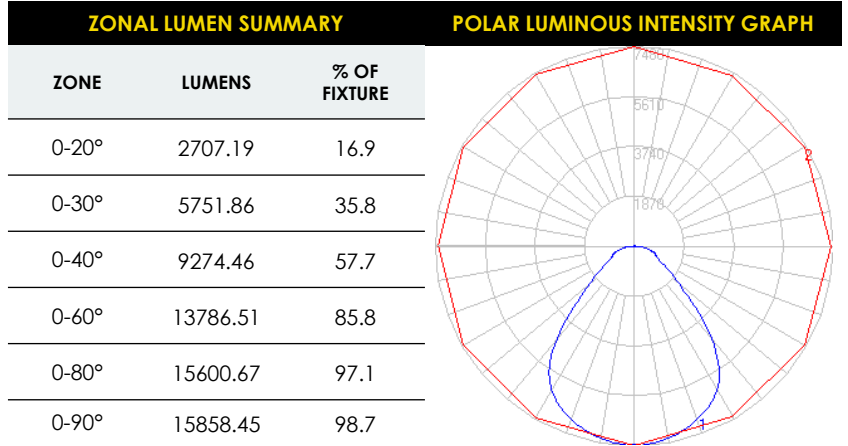
TITAN ELITE

INDUSTRIAL FIXTURE
Rectangular High Bay

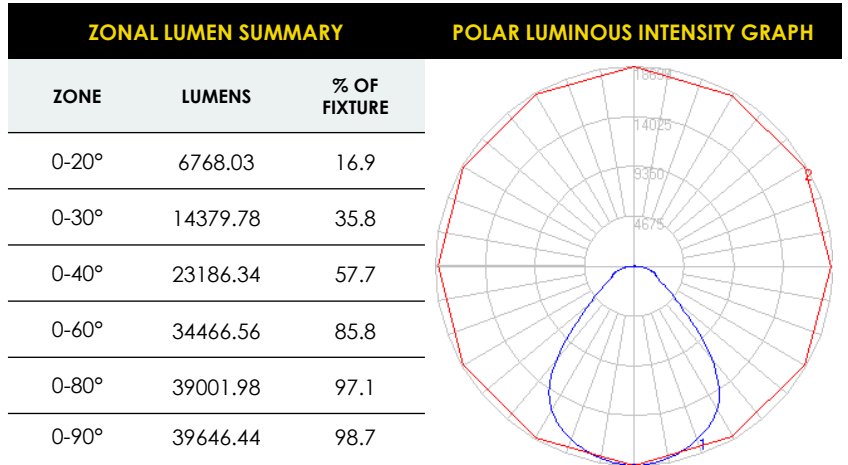
DATE				
PROJECT NAME				
TYPE				
QTY				
ORDERING CODE	AE-IL-TT2-CA	FT	W -	-3550K

PHOTOMETRIC DATA

AE-IL-TT2CA2FT225W-D-3550K
120 WATTS
90 DEGREE
3500 CCT



AE-IL-TT2CA4FT300W-D-3550K
300 WATTS
900 DEGREE
3500 CCT



DIMMER COMPATIBILITY LIST

0-10V Dimmer
LUTRON DVSTV
LUTRON NTSTV-DV
LUTRON DVTV
LEVITON AWSMT-7DW
LEVITON DD710-BDZ

0-10V Dimmer
LEVITON DS710-10Z
LEGRAND WS4FBL3PTC
LEGRAND RH4FBL3PTC
COOPER SF10P
HUBBLE LHD-IRS3-N-WH

TITAN ELITE

INDUSTRIAL FIXTURE

Linear High Bay

DATE					
PROJECT NAME					
TYPE					
QTY					
ORDERING CODE	AE-IL-TT2-CA	FT	W -	-3550K	

Energy savings breakdown for traditional lamp to led conversion ERALUX



HID 400W	
System Power	460W



TT2	2FT
Power	120W
Lumens	16,200



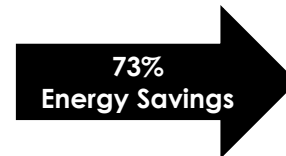
6L T5HO	
System Power	350W



TT2	2FT
Power	165W
Lumens	22,275



HID 750W	
System Power	840W



TT2	2FT
Power	225W
Lumens	30,375



HID 850W	
System Power	955W



TT2	4FT
Power	300W
Lumens	40,500

TITAN ELITE

INDUSTRIAL FIXTURE

Linear High Bay

DATE				
PROJECT NAME				
TYPE				
QTY				
ORDERING CODE	AE-IL-TT2-CA	FT	W -	-3550K

ACCESSORIES

Ordered separately, field installed

EMERGENCY LED DRIVER (BLD-UM60D/R-YYY)

BLD-UM60D/R-YYY

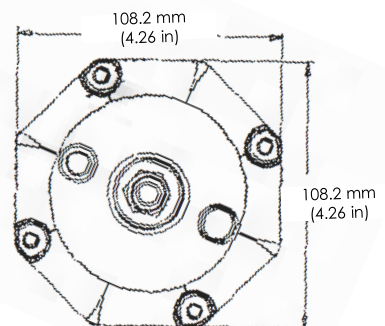
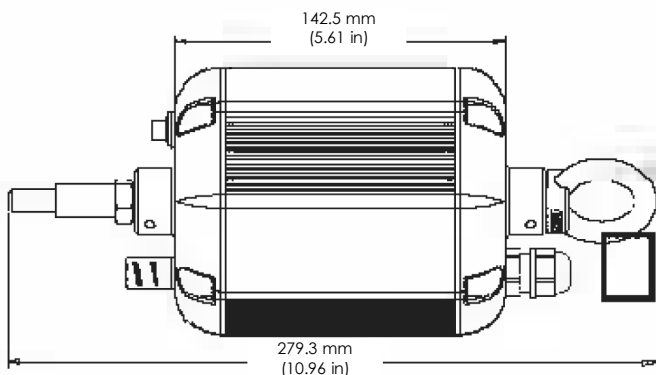
OUTPUT POWER : 60 WATTS



- Easy Wiring
- Certified For CA Title 20
- Constant Power Performance

The BLD-UMXXX-YYY LED Emergency Driver, UL listed for both field and factory installation, ensures seamless operation of a single LED fixture in normal and emergency modes. During a power failure, it automatically switches to emergency mode, providing up to 90 minutes of illumination. This compact driver combines a battery, charger, and converter, supporting LED arrays of 30-60W with a constant 170VDC output. It is ideal for use with most 0-10V dimmable indoor industrial LED fixtures, including flat panels, troffers, and UFO lights.

DIMENSIONS



TITAN ELITE

INDUSTRIAL FIXTURE

Linear High Bay

DATE					
PROJECT NAME					
TYPE					
QTY					
ORDERING CODE	AE-IL-TT2-CA	FT	W -	-3550K	

OVERVIEW

HIGH LUMEN OUTPUT

High performance efficacy up to 135 lumens per watt. Can deliver lumen output of up to 40000lumens with a 4ft fixture.

MULTIPLE POWER OUTPUT OPTIONS

The Titan Elite provides unparalleled flexibility with its tiltable light engine, selectable power and CCT.



TILTABLE LIGHT ENGINE

Equipped with a tiltable light engine that can be rotated 20°inwards and 80°outwards.