

TRIA



LED COMMERCIAL DOWNLIGHT

Recessed Multi Head Downlight | 3" Square

The TRIA, part of the multi-head family, offers a sleek design and unparalleled flexibility, providing the ultimate lighting solution for any environment. The TRIA series features three light engines ranging from 10W to 15W, delivering powerful and customizable illumination. Additionally, its spring mechanism ensures fast and easy installation.

Applications: Art Galleries | Show Rooms | Retail Stores | Hospitality | Office.

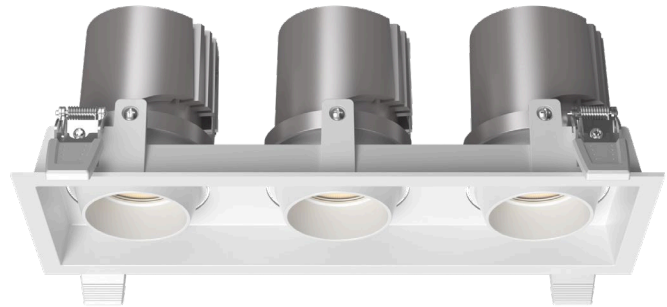
	DATE	QTY	ACC. QTY	TYPE
PROJECT				
PN				
ACCESSORY PN				
NOTES				



DYNAMIC MENU

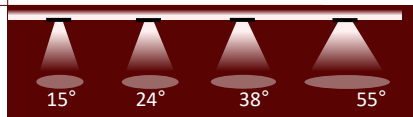
Order Information	Page 2
Dimensions	Page 3
Accessories	Page 4
Photometric Data	Page 7

[Install Instruction link](#)



SPECIFICATIONS

Input Voltage	120-277V	
Power Factor	>0.9	
Total Harmonic Distortion	<20%	
Dimming <small>Page 6</small>	Dual TRIAC 0-10V dimming (down 10%)	
CRI	90 CRI	
CCT	<div style="display: flex; gap: 10px;"> <div style="border: 1px solid black; border-radius: 50%; width: 20px; height: 20px; background-color: #fff9c4; display: flex; align-items: center; justify-content: center;">30K</div> <div style="border: 1px solid black; border-radius: 50%; width: 20px; height: 20px; background-color: #e0e0e0; display: flex; align-items: center; justify-content: center;">35K</div> <div style="border: 1px solid black; border-radius: 50%; width: 20px; height: 20px; background-color: #e0e0e0; display: flex; align-items: center; justify-content: center;">40K</div> </div>	
Efficacy	~80 LPW	
Size and Power	3"	10 15W
Ambient Temperature Range	-10°C to 40°C	
Mounting Options	New construction Retrofit Recessed	
Trim Finish	<div style="display: flex; gap: 10px;"> <div style="border: 1px solid black; border-radius: 50%; width: 20px; height: 20px; background-color: black;"></div> <div style="border: 1px solid black; border-radius: 50%; width: 20px; height: 20px; background-color: white;"></div> </div>	
Trim Shape	<div style="border: 2px solid black; width: 40px; height: 15px; margin: 0 auto;"></div>	
Optical Accessories	Honeycomb louver Soft lens	



PRODUCT FEATURE



Optional

Emergency backup battery

PRODUCT CERTIFICATIONS



SYSTEM WARRANTY – 5 YEARS

Eralux will warrant defective drivers, LEDs and boards for 5 years from the date of purchase. This warranty is valid only if the fixture is installed and used as per installation guides and specifications. If a defect is present, Eralux will send drivers and boards at no fee with a thorough replacement instructions along with instructions on the return of the defective parts back to Eralux.

LUMEN MAINTENANCE – L70 at 50,000 hours

Rated for 70% initial lumen output at 50,000 hours of operation, operated at 25°C ambient temperature; per guidelines published by the Illuminating Engineering Society (IES).

LED COMMERCIAL DOWNLIGHT

Recessed Multi Head Downlight | 3" Square

ORDERING GUIDE

AE-DL-TRIA	-3			-UV		-X	
AE-DL-TRIA ERALUX TRIA Recessed downlight Single Head	-3 3 Inch	-30 3000K -35 3500K -40 4000K	-15 Narrow Flood 15° -24 Flood 24° -38 Wide Flood 38° -55 Very Wide flood 55°	-UV 120-277V	30W 3X10W 2400lm 45W 3X15W 3600lm	-X Dual Dimming 0-10V & TRIAC	[Blank] White Trim -BKT Black Trim
Fixture Family	Size	CCT	Distribution	Input voltage	Power	Dimming	Finish

ORDERING GUIDE – ACCESSORIES | IP

AE-DL-KN ERALUX Tria 3 needed for each head	-3 3 Inch	-COMB Honeycomb louver -SOFTLENS
Fixture Family	SIZE	Accessory

[BLANK] Standard IP20 AE-DL-TRIA-IP44-KIT IP44
IP Rating

ORDERING GUIDE – FRAME KIT | EMBB

AE-DL-FRKT ERALUX FRAME KITS Downlights	-TRIA TRIA Square frame	-03 3 Inch -04 4 inch	-UNV¹
Fixture Family	Shape	SIZE	TYPE

[BLANK] No EMBB BLD-HM8D-YYY 8W emergency battery backup
EMBB

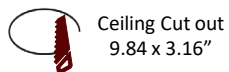
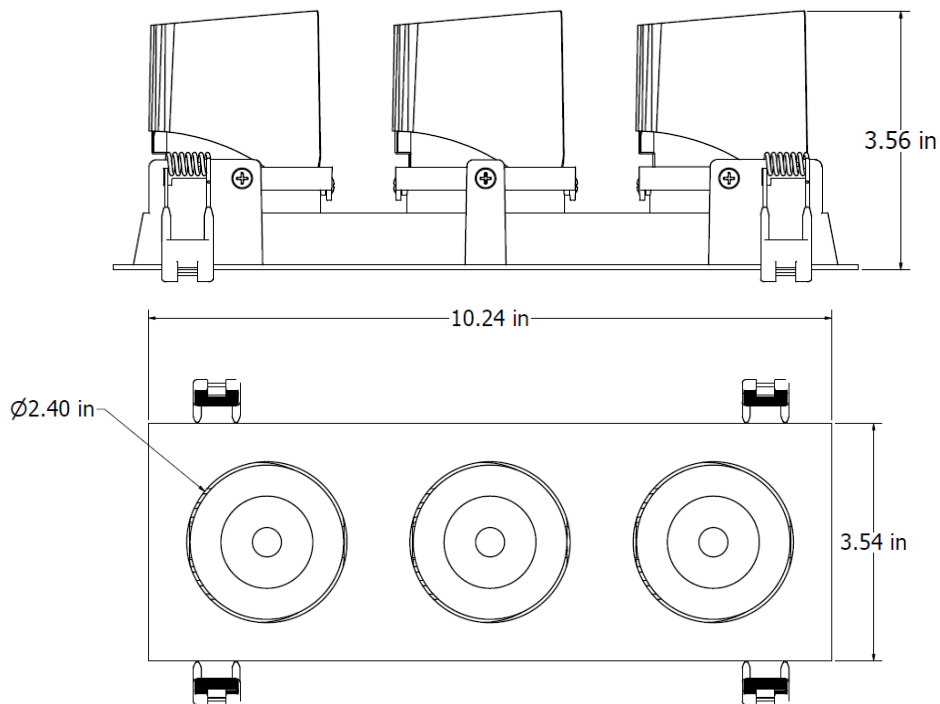
1. Junction Box is not included. TRIA SERIES comes with a junction box by default.

LED COMMERCIAL DOWNLIGHT

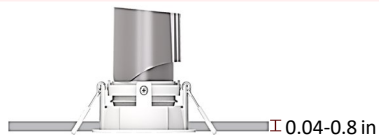
Recessed Multi Head Downlight | 3" Square

DIMENSIONS

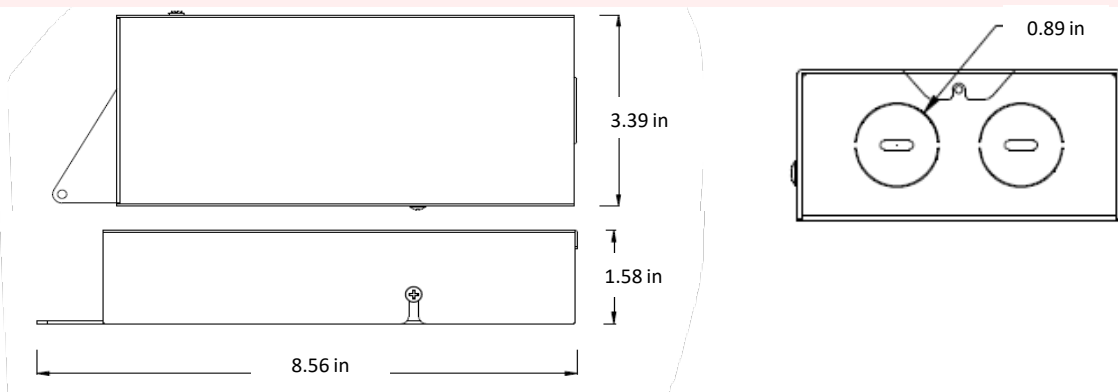
AE-DL-TRIA-3



Ceiling Thickness

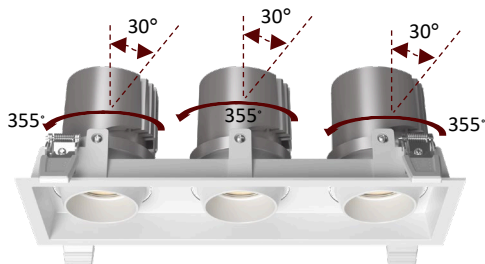


Driver



LED COMMERCIAL DOWNLIGHT

Recessed Multi Head Downlight | 3" Square



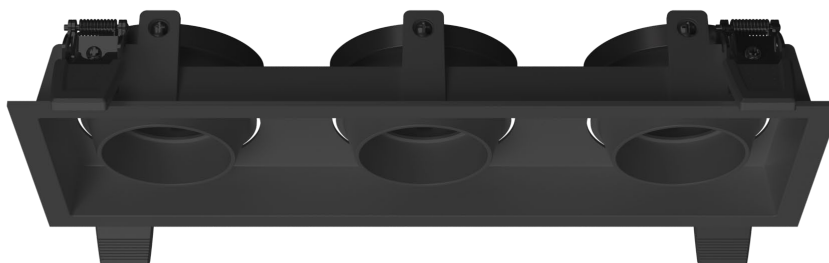
TRIM

FINISH

WHITE
(-WHT)



Black
(-BKT)



OPTICAL ACCESSORIES

ORDERING CODE	DESCRIPTION	LIGHT GLARE	PICTURE
AE-DL-KN-3-COMB	Hex louver Reduce the glare of the light source and luminaire 3 needed for each head		
AE-DL-KN-3-SOFTLENS	Softening Glass lens 3 needed for each head		

LED COMMERCIAL DOWNLIGHT

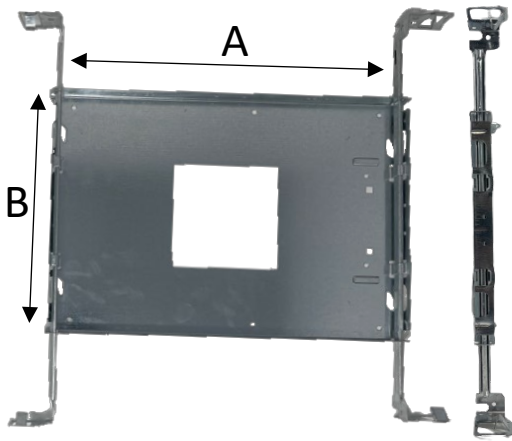
Recessed Multi Head Downlight | 3" Square

MOUNTING ACCESSORIES

Ordered separately, field installed.

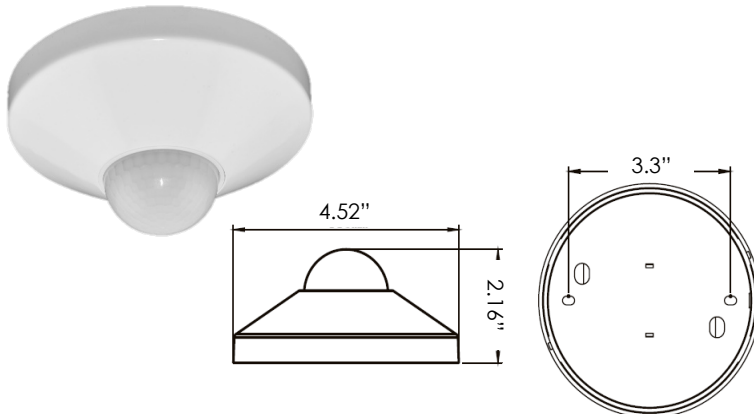
NEW CONSTRUCTION UNIVERSAL FRAME KIT

SPECIFICATIONS	
MATERIAL	22-gauge galvanized steel housing
MOUNTING	T Grid Ceiling
	Gypsum Ceiling
	Maximum Thickness ~1.5"
LENGTH (A)	12.75"
WIDTH (B)	8.63"



ROOM OCCUPANCY SENSOR

PART NUMBER	DESCRIPTION
AE-CT-DT806	Detecta - Room Occupancy Sensor
RC102	RC102 Remote Control



SPECIFICATIONS	
Input Voltage	120-277 Vac
Power Frequency	50/60HZ
Rated Load	At 120 Vac 800W
	At 277 Vac 1200W
Detection Range	3-10 Meters
	9.8- 32.8 Feet
Standby Power	~0.9W
Time Setting	10 sec to 30 min
Light Control	10-2,000LUX
Installation	Ceiling Mounted

LED COMMERCIAL DOWNLIGHT

Recessed Multi Head Downlight | 3" Square

CONTROLS

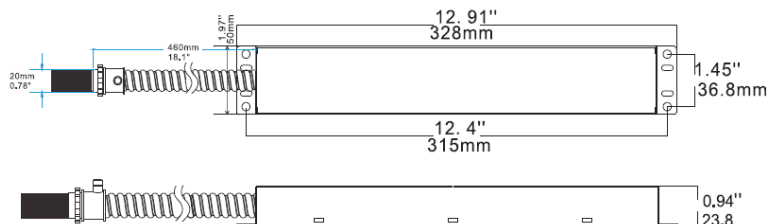
Ordered separately, field installed

EMERGENCY LED DRIVER (BLD-HMXXD-YYY)

BLD-HM8D-YYY



The BLD-HMXXD-YYY series LED Emergency Driver is UL listed for field and factory installations. It switches to emergency mode during power failures, providing up to 90 minutes of lighting. With an integrated battery, charger, and converter, it delivers 6-25W constant power at 170VDC. Ideal for 0-10V dimmable indoor commercial LED fixtures, such as flat panels, troffers, downlights, and linear strip lights.



SPECIFICATIONS	
Input Voltage	100-347 Vac
Power Frequency	50/60HZ
Input Power	8W max
Output Voltage	170V Dc
Output Power	8W
Ambient Temperature	0°C to 50°C
	30°F to 122°F
Installation	Remote

DIMMER COMPATIBILITY LIST

Brand	Model	Dim Depth To	DIM
LEVITON	IPM10	OFF	TRIAc
	6674	OFF	TRIAc
	AWSMT-EB	OFF	TRIAc
LUTRON	DVCL-153P	2%	TRIAc
	NTLV-603P	1%	TRIAc
	GT-250M	1%	TRIAc
	MACL-153M	1%	TRIAc
	PD-6WCL	1%	TRIAc
	DSL06	2%	TRIAc
	DV-600P	1%	TRIAc
	RRD-10ND	2%	TRIAc
	NTELV-300	1%	ELV
	SELV-300P	1%	ELV

LED COMMERCIAL DOWNLIGHT

Recessed Multi Head Downlight | 3" Square

PHOTOMETRIC DATA

PART NUMBER		ZONAL LUMEN SUMMARY			POLAR LUMINOUS INTENSITY	CONE DISTRIBUTION			
AE-DL-TRIA-XXXX		Zone	Lumens	% Fixture	Direct Light	Center Beam Fc	Beam Width		
Wattage	30W	0-20°	1560.6	61.2		2.5ft	1242 fc	1.1 ft	1.2 ft
CCT	3000K	0-30°	2074.52	81.3		5.0ft	311 fc	2.3 ft	2.4 ft
Distribution	15°	0-40°	2274.6	89.1		7.5ft	138 fc	3.4 ft	3.6 ft
SIZE	3"	0-60°	2418.17	94.8		10.0ft	77.7 fc	4.5 ft	4.8 ft
		0-80°	2483.29	97.3		12.5ft	49.7 fc	5.6 ft	6.0 ft
		0-90°	2489.58	97.6		15.0ft	34.5 fc	6.8 ft	7.2 ft
						■ Vert. Spread: 25.5° ■ Horiz. Spread: 26.8°			

PART NUMBER		ZONAL LUMEN SUMMARY			POLAR LUMINOUS INTENSITY	CONE DISTRIBUTION			
AE-DL-TRIA-XXXX		Zone	Lumens	% Fixture	Direct Light	Center Beam Fc	Beam Width		
Wattage	30W	0-20°	1690	62.4		2.5ft	1099 fc	1.5 ft	1.5 ft
CCT	3000K	0-30°	2291.57	84.7		5.0ft	275 fc	3.0 ft	3.0 ft
Distribution	24°	0-40°	2472.35	91.4		7.5ft	122 fc	4.5 ft	4.6 ft
SIZE	3"	0-60°	2588.51	95.6		10.0ft	68.7 fc	6.0 ft	6.1 ft
		0-80°	2636.4	97.4		12.5ft	44 fc	7.5 ft	7.6 ft
		0-90°	2640.77	97.6		15.0ft	30.5 fc	9.0 ft	9.1 ft
						■ Vert. Spread: 33.5° ■ Horiz. Spread: 33.8°			

PART NUMBER		ZONAL LUMEN SUMMARY			POLAR LUMINOUS INTENSITY	CONE DISTRIBUTION			
AE-DL-TRIA-XXXX		Zone	Lumens	% Fixture	Direct Light	Center Beam Fc	Beam Width		
Wattage	30W	0-20°	1562.5	56.2		2.5ft	891 fc	1.8 ft	1.8 ft
CCT	3000K	0-30°	2308.08	83		5.0ft	223 fc	3.6 ft	3.6 ft
Distribution	38°	0-40°	2549.17	91.7		7.5ft	99 fc	5.4 ft	5.4 ft
SIZE	3"	0-60°	2664.08	95.8		10.0ft	55.7 fc	7.2 ft	7.2 ft
		0-80°	2709.43	97.4		12.5ft	35.6 fc	8.9 ft	9.0 ft
		0-90°	2714.01	97.6		15.0ft	24.7 fc	10.7 ft	10.8 ft
						■ Vert. Spread: 39.4° ■ Horiz. Spread: 39.7°			

PART NUMBER		ZONAL LUMEN SUMMARY			POLAR LUMINOUS INTENSITY	CONE DISTRIBUTION			
AE-DL-TRIA-XXXX		Zone	Lumens	% Fixture	Direct Light	Center Beam Fc	Beam Width		
Wattage	30W	0-20°	1001.67	38.3		2.5ft	498 fc	2.4 ft	2.5 ft
CCT	3000K	0-30°	1754.78	67		5.0ft	124 fc	4.8 ft	5.0 ft
Distribution	55°	0-40°	2216.85	84.7		7.5ft	55.3 fc	7.2 ft	7.4 ft
SIZE	3"	0-60°	2489.78	95.1		10.0ft	31.1 fc	9.6 ft	9.9 ft
		0-80°	2550	97.4		12.5ft	19.9 fc	12.0 ft	12.4 ft
		0-90°	2555.57	97.6		15.0ft	13.8 fc	14.4 ft	14.9 ft
						■ Vert. Spread: 51.2° ■ Horiz. Spread: 52.7°			

LED COMMERCIAL DOWNLIGHT

Recessed Multi Head Downlight | 3" Square

OVERVIEW



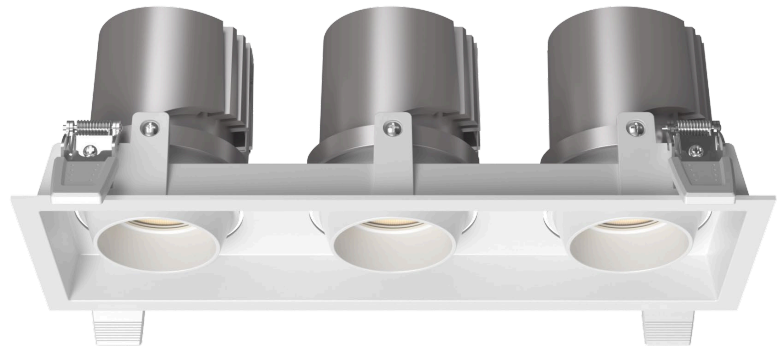
Innovative Design

- Brushed metal housing.
- Improved design extends LED and driver lifespan.
- Stainless steel spring-action clips



Multiple Options

- Powers 30W, 45W
- Black & white trim options.
- CCT available 2700K, 3000K, 3500K and 4000K
- Four distributions (15°, 24°, 38°, 55°)



Accessories

- Hex louvers and soft lens.
- New construction frame kit.
- Emergency back up battery.



Tests And Certifications



Optional

Emergency backup battery