

THEIA

INDUSTRIAL LED LIGHT

Architectural High Bay

The THEIA series offers an impressive range of features, including switchable power options and an efficiency of 130 LPW. This series includes a switchable lumens package, customizable correlated color temperature (CCT).

Application: Industrial, Retail, Warehouse, High-bay applications.

eralux®

	DATE	QTY	ACC. QTY	TYPE
PROJECT				
PN				
ACCESSORY PN				
NOTES				

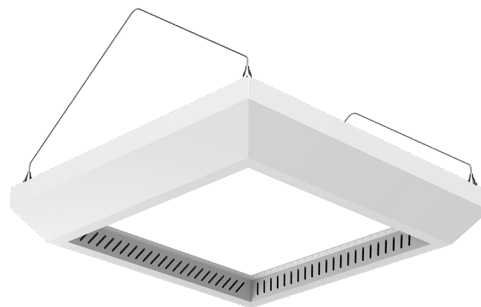


DYNAMIC MENU

Ordering Guide	Page 2
Dimensions	Page 2
Photometric Data	Page 3
Overview	Page 4

SPECIFICATIONS

Input Voltage	120-347V
Power Factor	>0.9
Total Harmonic Distortion	<20%
Dimming	0-10V Dimming
CRI	80 CRI
CCT	<div style="display: flex; gap: 10px;"> <div style="border: 1px solid gray; border-radius: 50%; padding: 2px 5px;">35K</div> <div style="border: 1px solid gray; border-radius: 50%; padding: 2px 5px;">40K</div> <div style="border: 1px solid gray; border-radius: 50%; padding: 2px 5px;">50K</div> </div>
Lumens Per Watt	~130 LPW
Power	75/85/115W 150/180/200W
Ambient Temperature Range	-40 °C to 45 °C
Construction	Lens – Translucent Polycarbonate Lens Housing – Solid metal welded fabricated housing
Finish	White, Powder coated housing
Mounting Options	Suspended



PRODUCT FEATURES



PRODUCT CERTIFICATIONS



SYSTEM WARRANTY – 5 YEARS

Eralux will warrant defective drivers, LEDs and boards for 5 years from the date of purchase. This warranty is valid only if the fixture is installed and used as per installation guides and specifications. If a defect is present, Eralux will send drivers and boards at no fee with a thorough replacement instructions along with instructions on the return of the defective parts back to Eralux.

LUMEN MAINTENANCE – L70 at 50,000 hours

Rated for 70% initial lumen output at 50,000 hours of operation, operated at 25°C ambient temperature; per guidelines published by the Illuminating Engineering Society (IES).

INDUSTRIAL LED LIGHT Architectural High Bay

ORDERING GUIDE

AE-IL-TH	-CA				-3550K
AE-IL-TH ERALUX Industrial Lighting THEIA Architectural High Bay	-CA 120-347 Vac Input voltage	22 2'x2'	-115W 75/85/115W 9,750/11,050/14,950lm -200W 150/180/200W Direct Lumens 18,525/22,230/24,900lm	-D 0-10V Dimming down to 10%	-3550K 3500K/4000K/5000K CCT Switchable

Fixture Family	Voltage	Size	Power	Controls	CCT
-----------------------	----------------	-------------	--------------	-----------------	------------

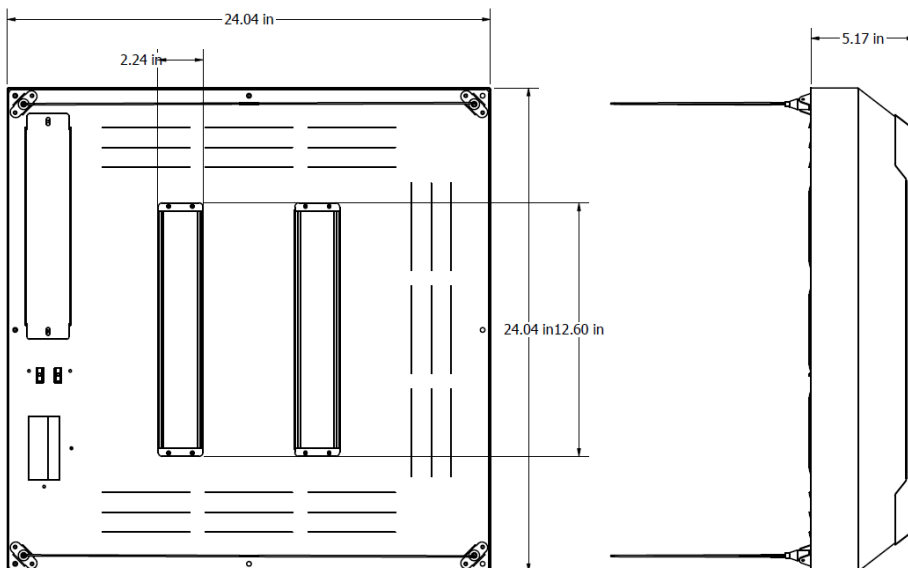
- Notes**
- 90% Direct Light / 10% Indirect light

ORDERING GUIDE - ACCESSORIES

AE-IL-TH-CA22 ERALUX THEIA Architectural High Bay	-WIREGUARD Wire guard
--	---------------------------------

Accessory Family	Accessory
-------------------------	------------------

DIMENSIONS



LUMEN ESTIMATE

Lumen output varies based on CCT and CRI. An estimate of lumen output of the various CCT/CRI combinations, use correction factors as per table below:

LUMEN ESTIMATE ADJUSTMENT FACTORS			
CCT	3500K	4000K	5000K
PREMIUM (80CRI)	0.97	1	1.03

PHOTOMETRIC DATA

PART NUMBER		ZONAL LUMEN SUMMARY			POLAR LUMINOUS INTENSITY	CONE DISTRIBUTION			
AE-IL-TH-CA22-200W-XX-XX		Zone	Lumens	% Fixture	Direct Light	Center Beam Fc		Beam Width	
Wattage	180W	0-20°	3040.69	12.2		4.3ft	450 fc	12.7 ft	12.8 ft
CCT	3500K	0-30°	6456.22	25.9		8.7ft	110 fc	25.8 ft	25.9 ft
		0-40°	10579.86	42.5		13.0ft	49.2 fc	38.5 ft	38.7 ft
		0-60°	18736.74	75.2		17.3ft	27.8 fc	51.2 ft	51.5 ft
		0-80°	22848.36	91.7		21.7ft	17.7 fc	64.3 ft	64.5 ft
		0-90°	23000	92.3		26.0ft	12.3 fc	77.0 ft	77.3 ft
						■ Vert. Spread: 111.9° ■ Horiz. Spread: 112.2°			

PART NUMBER		ZONAL LUMEN SUMMARY			POLAR LUMINOUS INTENSITY	CONE DISTRIBUTION			
AE-IL-TH-CA22-200W-XX-XX		Zone	Lumens	% Fixture	Direct Light	Center Beam Fc		Beam Width	
Wattage	180W	0-20°	3123.93	12.1		4.3ft	462 fc	12.7 ft	12.8 ft
CCT	4000K	0-30°	6633.28	25.7		8.7ft	113 fc	25.8 ft	25.9 ft
		0-40°	10870.56	42.2		13.0ft	50.6 fc	38.5 ft	38.7 ft
		0-60°	19255.11	74.7		17.3ft	28.6 fc	51.3 ft	51.5 ft
		0-80°	23489.57	91.1		21.7ft	18.2 fc	64.3 ft	64.6 ft
		0-90°	23645.39	91.7		26.0ft	12.6 fc	77.1 ft	77.4 ft
						■ Vert. Spread: 112.0° ■ Horiz. Spread: 112.2°			

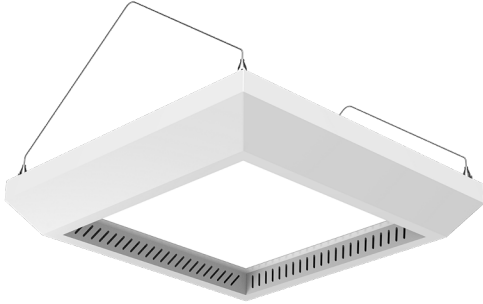
PART NUMBER		ZONAL LUMEN SUMMARY			POLAR LUMINOUS INTENSITY	CONE DISTRIBUTION			
AE-IL-TH-CA22-200W-XX-XX		Zone	Lumens	% Fixture	Direct Light	Center Beam Fc		Beam Width	
Wattage	180W	0-20°	2775.66	10.9		4.3ft	411 fc	12.8 ft	12.8 ft
CCT	5000K	0-30°	5894.11	23.2		8.7ft	100 fc	25.8 ft	25.9 ft
		0-40°	9659.48	38		13.0ft	44.9 fc	38.6 ft	38.8 ft
		0-60°	17112.06	67.2		17.3ft	25.4 fc	51.3 ft	51.6 ft
		0-80°	20878.87	82		21.7ft	16.1 fc	64.4 ft	64.7 ft
		0-90°	21017.71	82.6		26.0ft	11.2 fc	77.1 ft	77.5 ft
						■ Vert. Spread: 112.0° ■ Horiz. Spread: 112.3°			

LUMEN ESTIMATE



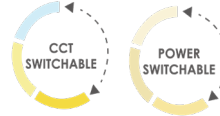
Innovative Design

- Solid metal welded fabricated housing
- Translucent Polycarbonate Lens



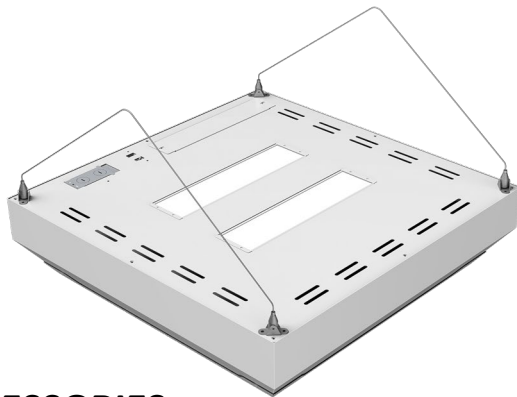
Multiple Options

- Power switchable 75/85/115 or 150/180/200W
- 3 CCT selectable; 35/40/50K



FEATURE

- Direct / Indirect light output



Mountings Available

- Suspended (Aircraft Cables)



Tests And Certifications



ACCESSORIES

- Wire guard Available

