

TRON

OUTDOOR PRODUCTS

Outdoor Canopy Light



eralux®



The Tron outdoor luminaire is designed as a parking garage fixture, directly customizable in a variety of power and CCT options for your lighting application needs. The curved lens features a 150° shaped beam with high light reflectivity reflectors. Its robust and durable design allow it to withstand the outdoor elements wherever placed.

DATE	
PROJECT NAME	
TYPE	
QTY	
ORDERING CODE	AE-OD-TR -80W -RG-H-MV-TCP - - -

OPERATING & ELECTRICAL

INPUT VOLTAGE	120-347V
POWER FACTOR	0.9
DIMMING	0-10V
TOTAL HARMONIC DISTORTION(THD)	<20%

PERFORMANCE

LEMENS PER WATT	~120 LPW at 80CRI
POWER CONSUMPTION	45/60/80W
DISTRIBUTION	150 degree

MECHANICAL & HOUSING

HOUSING	Aluminum die cast housing for superior heat dissipation, strength, and rigidity
LENS	Highly durable polycarbonate and high transmittance lens
FINISH	Bronze White
POWER SUPPLY	Factory wired electronic LED driver
LED BOARD	LED Array

APPLICATION CONDITION

AMBIENT TEMPERATURE RANGE	-40 °C to 45°C
RATINGS	Wet location IP65 IK08

COMPATIBLE MOUNTING

MOUNTING	Surface Pendant pole mount U-bracket mount
----------	--

WARRANTY

SYSTEM WARRANTY – 5 YEARS

Eralux will warrant defective drivers, LEDs and boards for 5 years from the date of purchase. This warranty is valid only if the fixture is installed and used as per installation guides and specifications. If a defect is present, Eralux will send drivers and boards at no fee with a thorough replacement instructions along with instructions on the return of the defective parts back to Eralux.

LUMEN MAINTENANCE – L70 at 50,000 hours

Rated for 70% initial lumen output at 50,000 hours of operation, operated at 25°C ambient temperature; per guidelines published by the Illuminating Engineering Society (IES)

DATE						
PROJECT NAME						
TYPE						
QTY						
ORDERING CODE	AE-OD-TR	-80W	-RG-H-MV-TCP	-	-	-

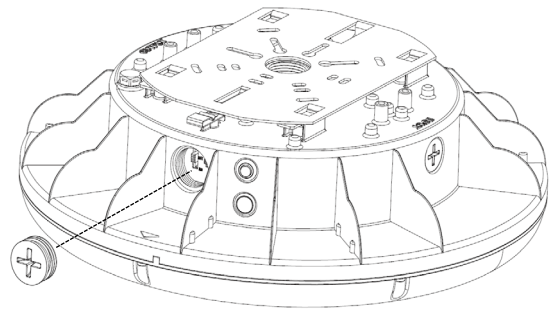
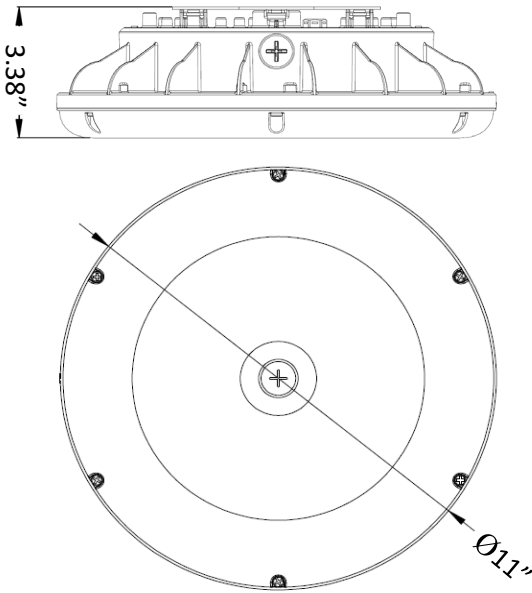
ORDERING GUIDE

EXAMPLE: AE-OD-TR-80W-RG-H-MV-TCP-BZ

FIXTURE FAMILY	POWER	EFFICIENCY	INPUT VOLTAGE	CCT	CONTROL	MOUNTING	FINISH
AE-OD-TR	-80W	-RG-H	-MV	-TCP	-	-	-
AE-OD-TR ERALUX TRON Series Outdoor round canopy fixture.	- 80W Switchable 80/60/45W 9600/7200/5400 lm	-RG-H Round garage canopy with high efficiency 120LPW.	-MV Input voltage CA 120-347V	-TCP Switchable 3000K/4000 K/5000K CCT	[LEAVE BLANK]	-[LEAVE BLANK] Surface mount and Pendant mount by a pole	-BZ Bronze powder coat finish
					- MS Microwave Motion Sensor		
					-P Photocell	-U U-bracket mounting	

PRODUCT DIMENSIONS

AE-OD-TR-80W-RG-H-MV-TCP-XX-XX



DLC MODELS





DLC MODEL	PRODUCT ID
AE-OD-TR-80W-RG-H-MV-TCP-[Blank,P,MS]-[BZ,BK,WH]	S-W18QRK

DATE					
PROJECT NAME					
TYPE					
QTY					
ORDERING CODE	AE-OD-TR	-80W	-RG-H-MV-TCP	-	-

LUMENS AT DIFFERENT CCT

ITEM NUMBER	POWER (W)	INPUT VOLTAGE	30k CCT	40k CCT	50k CCT
AE-OD-TR-80W-RG-H-MV-TCP-XX-ZZ	45 W		6324.7 lms	6797.6 lms	6764.4 lms
	60 W	120-347V	8252.2 lms	8923.1 lms	8732.5 lms
	80 W		10507 lms	11337 lms	10972 lms

ACCESSORIES

PART NUMBER	DESCRIPTION	PICTURE
AE-IL-SB2-CA-MSKIT	Microwave motion sensor	
AE-IL-SB2-CA-REMOTE-CTRL	Remote control for the microwave motion sensor	
AE-WP-PHOTOCELL-CA	Photocell and daylight harvesting sensor 12V input voltage	
AE-OD-TR-U-BRACKET-BZ AE-OD-TR-U-BRACKET-WH AE-OD-TR-U-BRACKET-BK	U-bracket mounting bronze finish U-bracket mounting white finish U-bracket mounting black finish	

Microwave motion sensor

The AE-IL-SB2-CA-MSKIT is a motion sensor that dims lighting from high to low based on movement. 12V-24Vdc

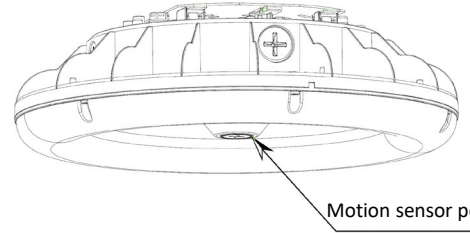
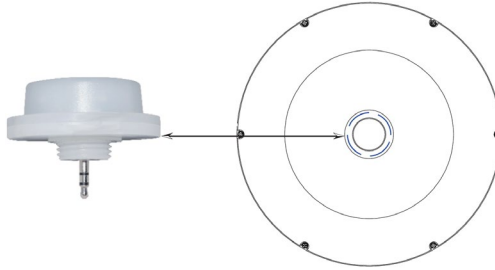
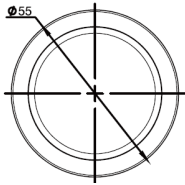
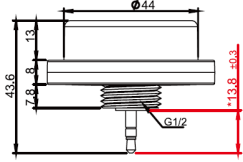
The sensor use microwave sensing technology that reacts to changes in movement within coverage area. This sensor is installed at the bottom of the fixture.

It can also act as photocell using the light-control option on the remote control.

A remote control is available to program the sensor to a required setup.

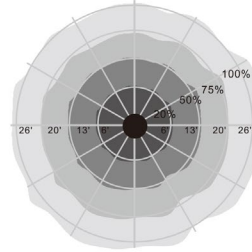
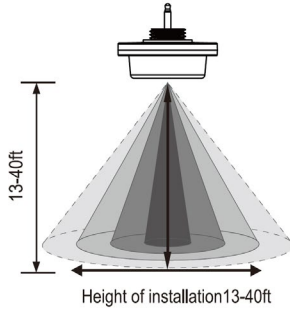
DATE					
PROJECT NAME					
TYPE					
QTY					
ORDERING CODE	AE-OD-TR	-80W	-RG-H-MV-TCP	-	-

Dimensions (mm)



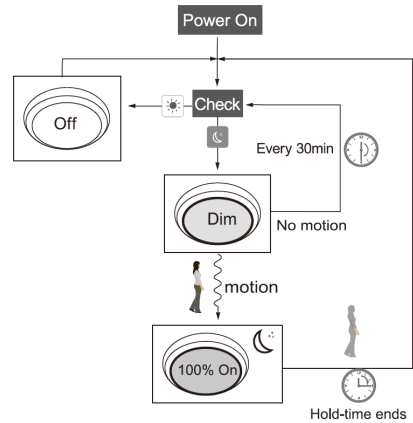
Motion sensor position

Area Coverage



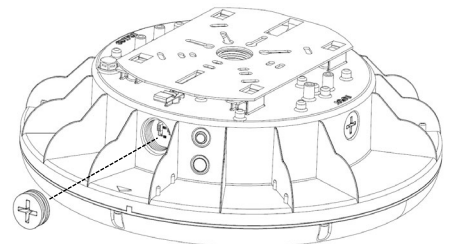
Factory mode

Factory Default Setting	
Sensitivity	100%
Hold on time	5 min
Daylight Sensor	ON
Dimming level	30%
Dimming time	30 min



Photoelectric switch

12V photocell available, can be installed at the bottom of the fixture. The photocell is placed on the side of the fixture, as shown in the image.



DATE					
PROJECT NAME					
TYPE					
QTY					
ORDERING CODE	AE-OD-TR	-80W	-RG-H-MV-TCP	-	-

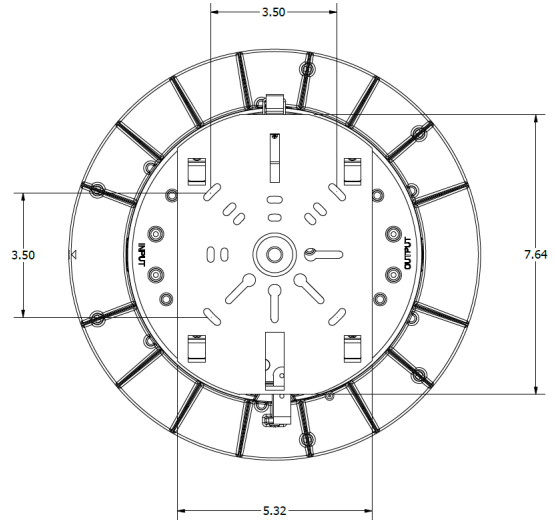
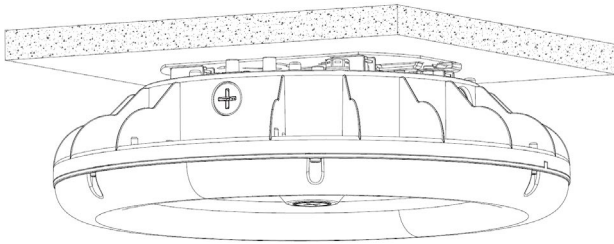
MOUNTING OPTION

Three mounting options available for TRON.

Surface mount

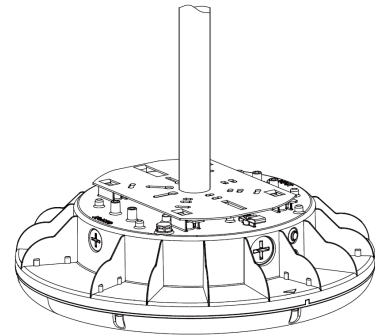
Can be mount on ceiling or a wall.

Screw position are shown on the right, and the dimensions are in inches.



Pendant mount

Can be suspended using a pole through a 3/4 inch NPT.

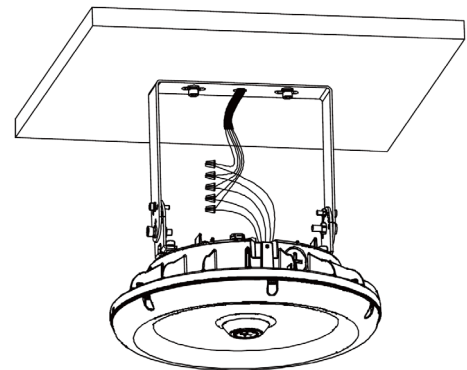


U-mounting

Can be mounted using U-bracket.

The U-bracket can be adjusted to any desirable angle.

U-Bracket is needed for installation.



Refer to installation instruction file for more information.

DATE					
PROJECT NAME					
TYPE					
QTY					
ORDERING CODE	AE-OD-TR	-80W	-RG-H-MV-TCP	-	-

ACCESSORIES (Continued)

Ordered separately, field installed

EMERGENCY LED DRIVER (BLD-HMXXD-YYY)

EMQ- 8300DO- HY

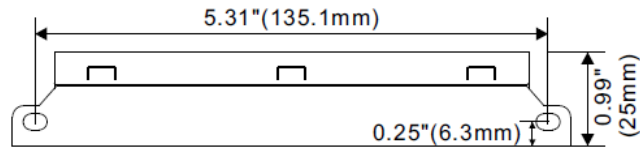
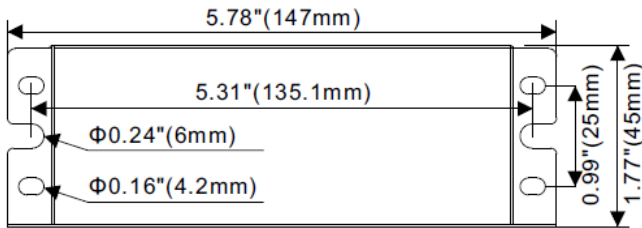
OUTPUT POWER : 8 WATTS

SPECIFICATION	
INPUT VOLTAGE	100-347Vac
INPUT CURRENT	100mA max
RECHARGE TIME	24Hrs
DISCHARGE TIME	1.5H
EMERGENCY POWER	8W



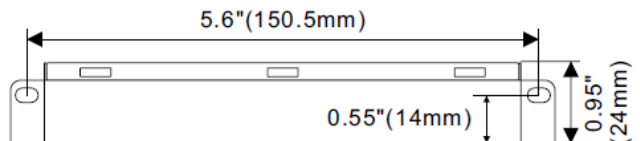
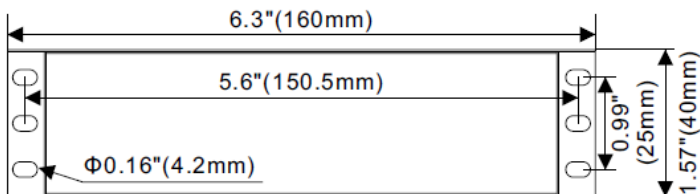
Introducing a UL-listed emergency lighting solution for the US and Canada, featuring high output voltage, self-testing, and overcharge/discharge protection. Compliant with UL924 and CSA C22.2 NO.141, it's suitable for field or factory installation and integrates seamlessly with LED drivers. With low energy consumption and Title20 compliance, it offers 8W emergency power options, a quick 24-hour recharge time, and 1.5-hour discharge time.

DRIVER DIMENSIONS



BATTERY DIMENSIONS

8W VERSION



DATE					
PROJECT NAME					
TYPE					
QTY					
ORDERING CODE	AE-OD-TR	-80W	-RG-H-MV-TCP	-	-

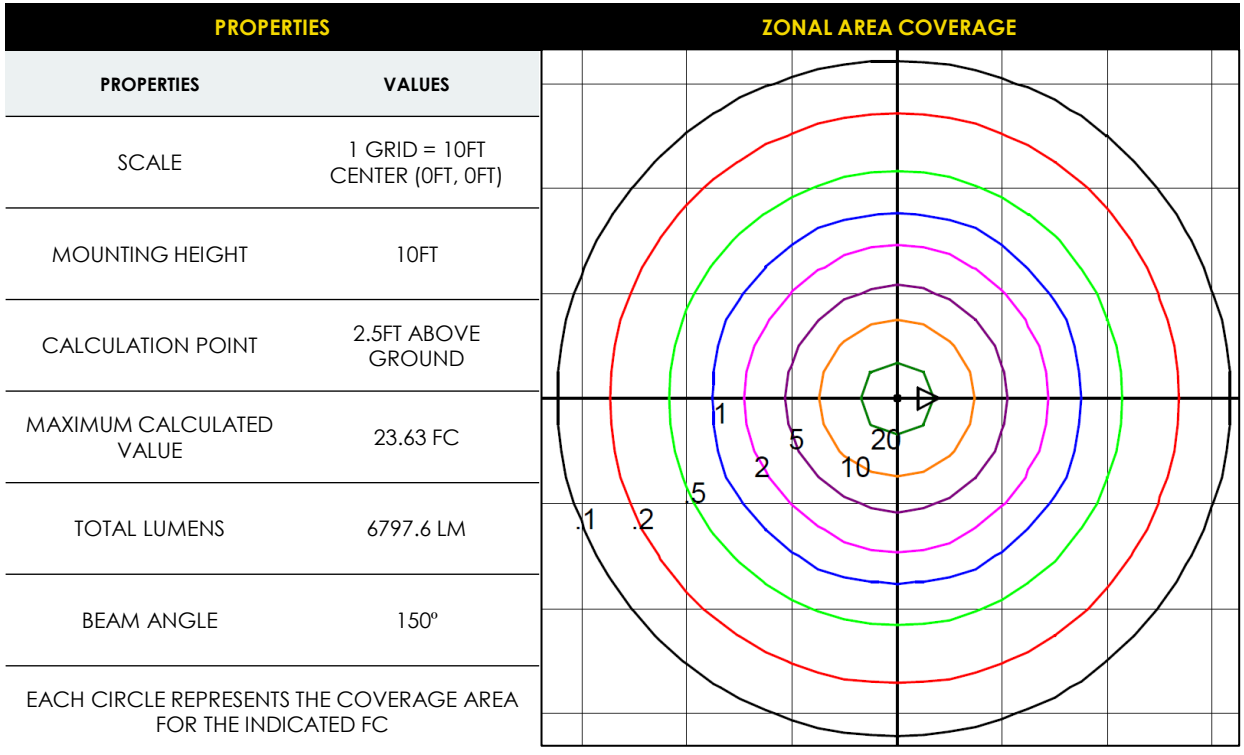
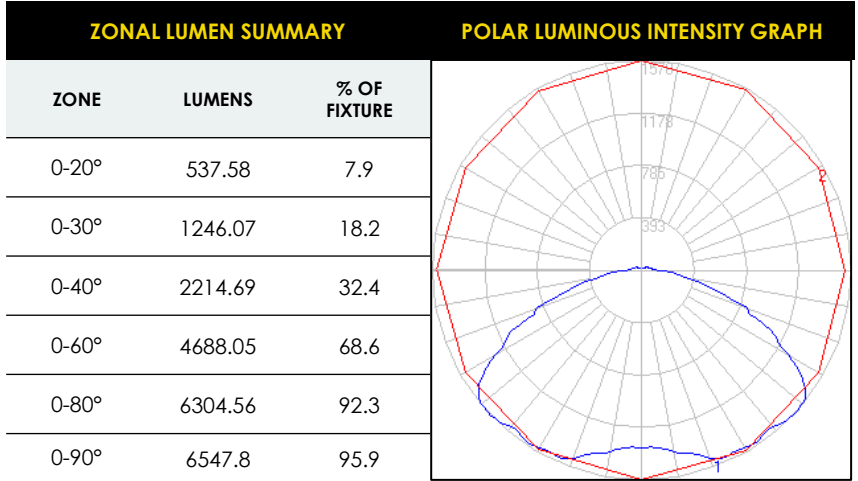
PHOTOMETRIC DATA

AE-OD-TR-80W-RG-H-MV-TCP-XX-BZ

45W

40K CCT

150-degree beam angle



DATE					
PROJECT NAME					
TYPE					
QTY					
ORDERING CODE	AE-OD-TR	-80W	-RG-H-MV-TCP	-	-

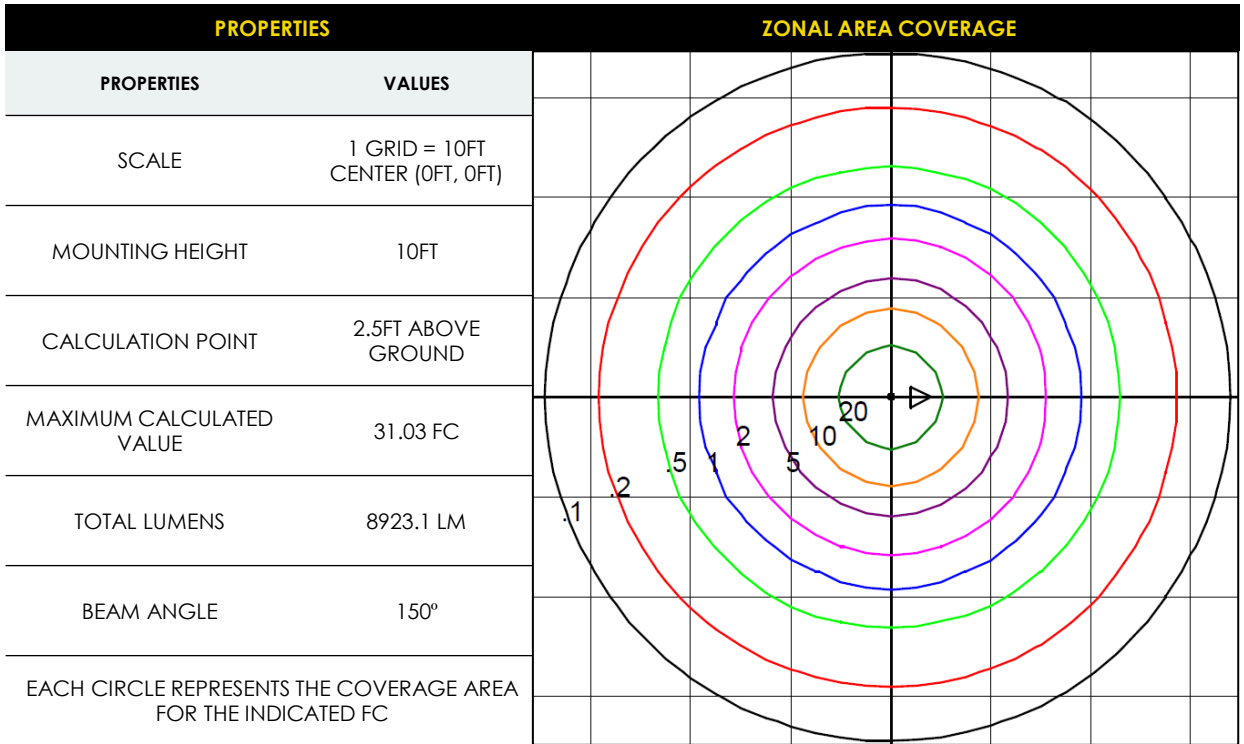
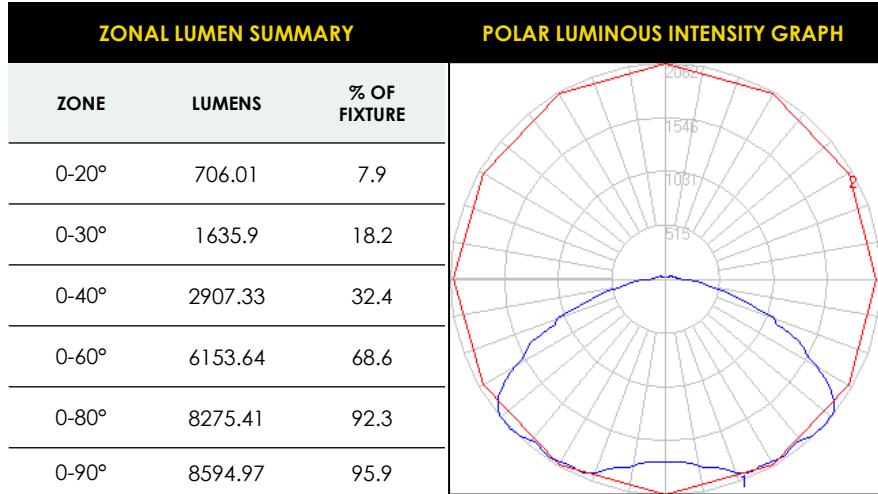
PHOTOMETRIC DATA

AE-OD-TR-80W-RG-H-MV-TCP-XX-BZ

60W

40K CCT

150-degree beam angle



DATE					
PROJECT NAME					
TYPE					
QTY					
ORDERING CODE	AE-OD-TR	-80W	-RG-H-MV-TCP	-	-

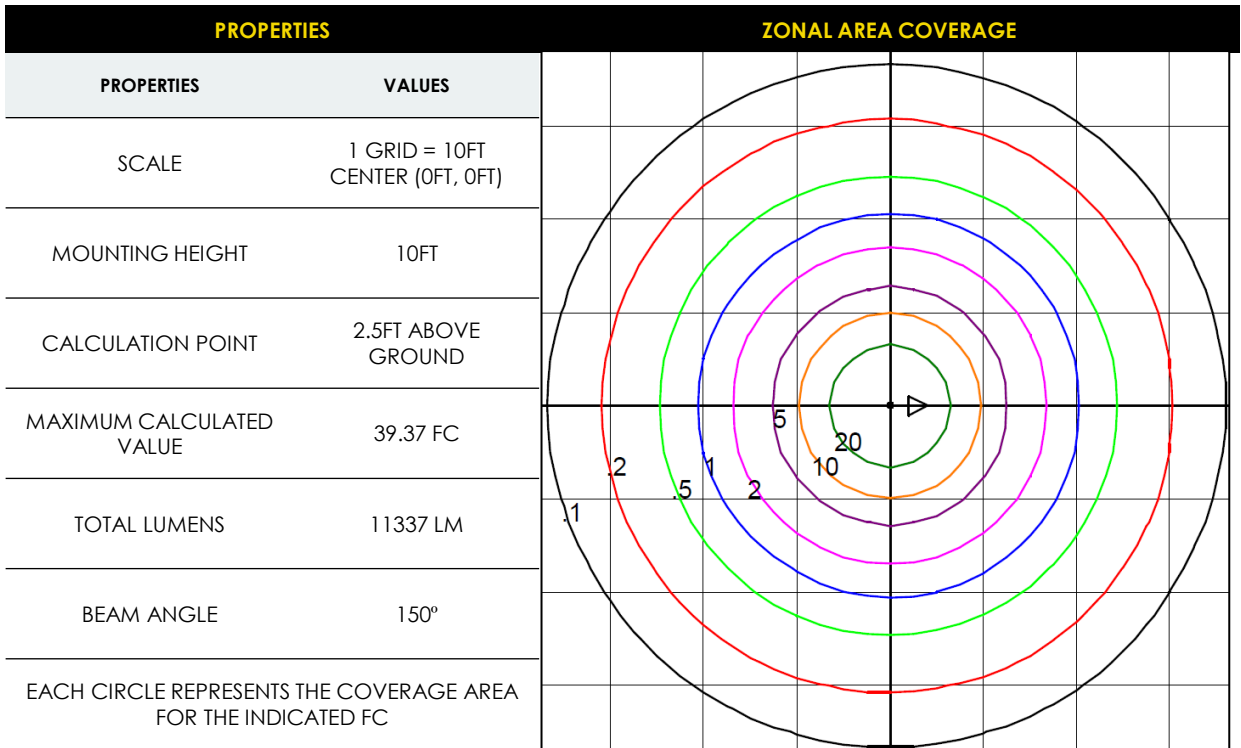
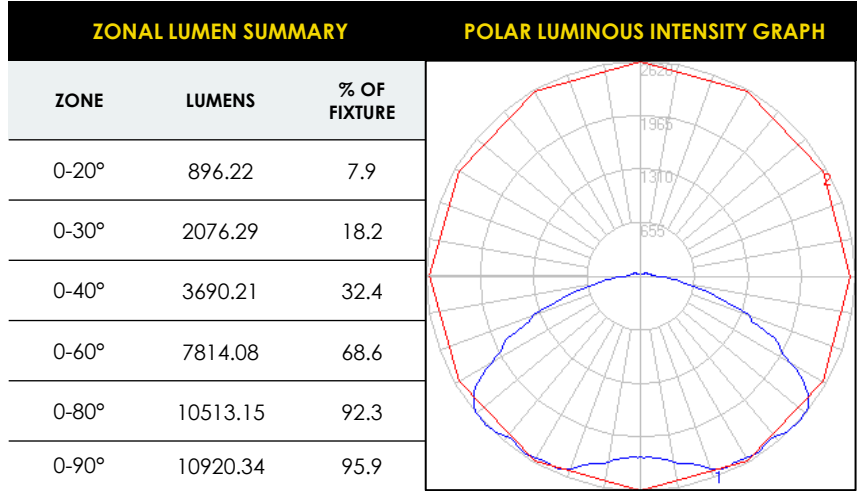
PHOTOMETRIC DATA

AE-OD-TR-80W-RG-H-MV-TCP-XX-BZ

80W

40K CCT

150-degree beam angle



DATE						
PROJECT NAME						
TYPE						
QTY						
ORDERING CODE	AE-OD-TR	-80W	-RG-H-MV-TCP	-	-	-

OVERVIEW



MOUNTING

This fixture comes with three different mounting options. Surface mount to a wall or a ceiling, pendant mount using a pole, and U-bracket mounting.

BATWING DISTRIBUTION

150-degree bat-wing beam angle provides a unique distribution while accenting your project space.

ON-SITE FLEXIBILITY

Choose from the three switchable CCT and power package. A 9-in-1 fixture! Comes standard with an operating voltage of 120-347V AC

ACCESSORIES

Photocell and motion sensor are available.

