

# VADOR EVOLVE

## LINEAR FIXTURES

Tri-proof Linear Fixture

The VADOR EVOLVE Series is an energy-efficient and economical LED linear fixture designed for harsh environment and industrial suited applications where dust and water resistance are necessary. This fixture is configured with adjustable power and CCT switches that can cover most of your project needs. Integrated lens and module plate that makes the installation process simply a breeze.



eralux®



DATE				
PROJECT NAME				
<b>TYPE</b>				
QTY				
ORDERING CODE	AE-SF-VDE-CA	-	-	-010-8XX -

### OPERATING & ELECTRICAL

INPUT VOLTAGE	120-347V
POWER FACTOR	>0.9
DIMMING	0-10V
TOTAL HARMONIC DISTORTION (THD)	<20%

### PERFORMANCE

LUMENS PER WATT	~130 LPW at 5000K, 80 CRI 4 FT ~130 LPW at 5000K, 80 CRI 4 FT ~137 LPW at at 5000K, 80 CRI 8 FT
POWER	Adjustable 25/20/15W 54/46/38W 90/75/65W
BEAM ANGLE	120°

### MECHANICAL & HOUSING

HOUSING	Light gray polycarbonate housing and stainless-steel latches
LENS	UV resistant, frosted poly-carbonate lens casing and high transmittance lens
POWER SUPPLY	Factory wired electronic LED driver
LED BOARD	Discrete LED

### APPLICATION CONSION

AMBIENT TEMPERATURE RANGE	-40°C to 45°C when fixture is suspended at least 18" from ceiling, -40°C to 40°C when fixture is surface mounted.
PROTECTION	UL 94: 5VA flame classification, IP66

### COMPATIBLE MOUNTING

MOUNTING	Surface Mount Suspended
----------	----------------------------

### WARRANTY

#### SYSTEM WARRANTY – 5 YEARS

Eralux will warrant defective drivers, LEDs and boards for 5 years from the date of purchase. This warranty is valid only if the fixture is installed and used as per installation guides and specifications. If a defect is present, Eralux will send drivers and boards at no fee with a thorough replacement instructions along with instructions on the return of the defective parts back to Eralux.

#### LUMEN MAINTENANCE – L70 at 100,000 hours

Rated for 70% initial lumen output at 100,000 hours of operation, operated at 25°C ambient temperature; per guidelines published by the Illuminating Engineering Society (IES).



"DesignLights Consortium® (DLC) qualified product. Not all versions of this product may be DLC qualified. Please check the DLC Qualified Products List at [www.designlights.org/QPL](http://www.designlights.org/QPL) to confirm which versions are qualified"

# VADOR EVOLVE

LINEAR FIXTURES

Tri-proof Linear Fixture

DATE	
PROJECT NAME	
TYPE	
QTY	
ORDERING CODE	AE-SF-VDE-CA - - -010-8XX -

## ORDERING GUIDE

EXAMPLE: AE-SF-VDE-CA-4-54/46/38-010-8XX

FIXTURE FAMILY	INPUT VOLTAGE	SIZE	POWER	CONTROLS	CRI & CCT	SENSOR/EMBB
<b>AE-SF-VDE</b>	<b>CA</b>	-	-	<b>-010</b>	<b>-8XX</b>	-
<b>AE-SF-VDE</b> VADOR EVOLVE Series Tri-proof linear fixture	<b>CA</b> 120-347Vac input voltage	<b>2</b> 2 feet: 23.6" 600mm	<b>25/20/15-</b> 25/20/15 watts: 3,250/2,600/1,950 lumens	<b>010-</b> 0-10V dimming	<b>8XX</b> 80 CRI & 3500K/4000K/ 5000K CCT Switchable	[BLANK]
		<b>4</b> 4 feet: 47.2" 1200mm	<b>54/46/38-</b> 54/46/38 watts: 7,020/5,980/4,940 lumens			<b>-MS</b> Microwave motion sensor with photocell
		<b>8</b> 8 feet: 94.5" 2400mm	<b>90/75/65-</b> 90/75/65 watts: 12,060/10,275/ 9,100 lumens			<b>-EM</b> Emergency Battery Back-up (8W)
						<b>-ME</b> Microwave motion Sensor with photocell and EMBB

CAUTION: If there are multiple fixtures connected to the same 0-10V dimming line, a 0-10V controller must be considered to enable consistent dimming across the fixtures. Failure to do so will lead to inconsistent dimming and behaviors in the fixtures. Single switch is not recommended for controlling multiple fixtures simultaneously.

## DLC MODELS

DLC MODELS	PRODUCT ID
AE-SF-VDE-CA-4-54/46/38-010-8XX-[MS, EM, BLANK, BOTH]	S-WTYR2W (Direct Linear Ambient) – DLC
AE-SF-VDE-CA-8-90/75/65-010-8XX-[MS, EM, BLANK, BOTH]	S-KFRJMW (High Bay) – DLC PREMIUM
AE-SF-VDE-CA-8-90/75/65-010-8XX[-MS, EM, BLANK, BOTH]	S-AXHITE (Direct Linear Ambient) - DLC

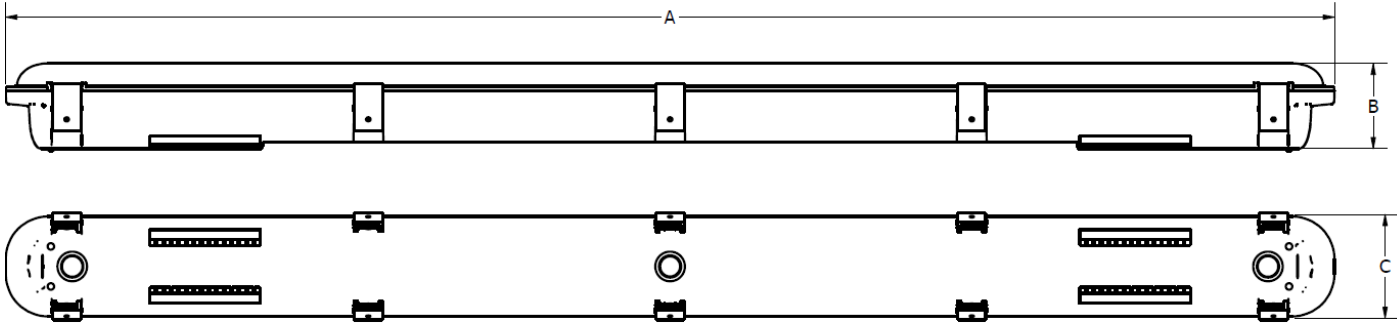
# VADOR EVOLVE

LINEAR FIXTURES

Tri-proof Linear Fixture

DATE	
PROJECT NAME	
<b>TYPE</b>	
QTY	
ORDERING CODE	AE-SF-VDE-CA - - -010-8XX -

## PRODUCT DIMENSIONS



MODEL	HEIGHT (B)	LENGTH (A)	WIDTH (C)
2FT	3.1"	23.6"	3.7"
4FT	3.1"	47.2"	3.7"
8FT	3.1"	94.5"	3.7"

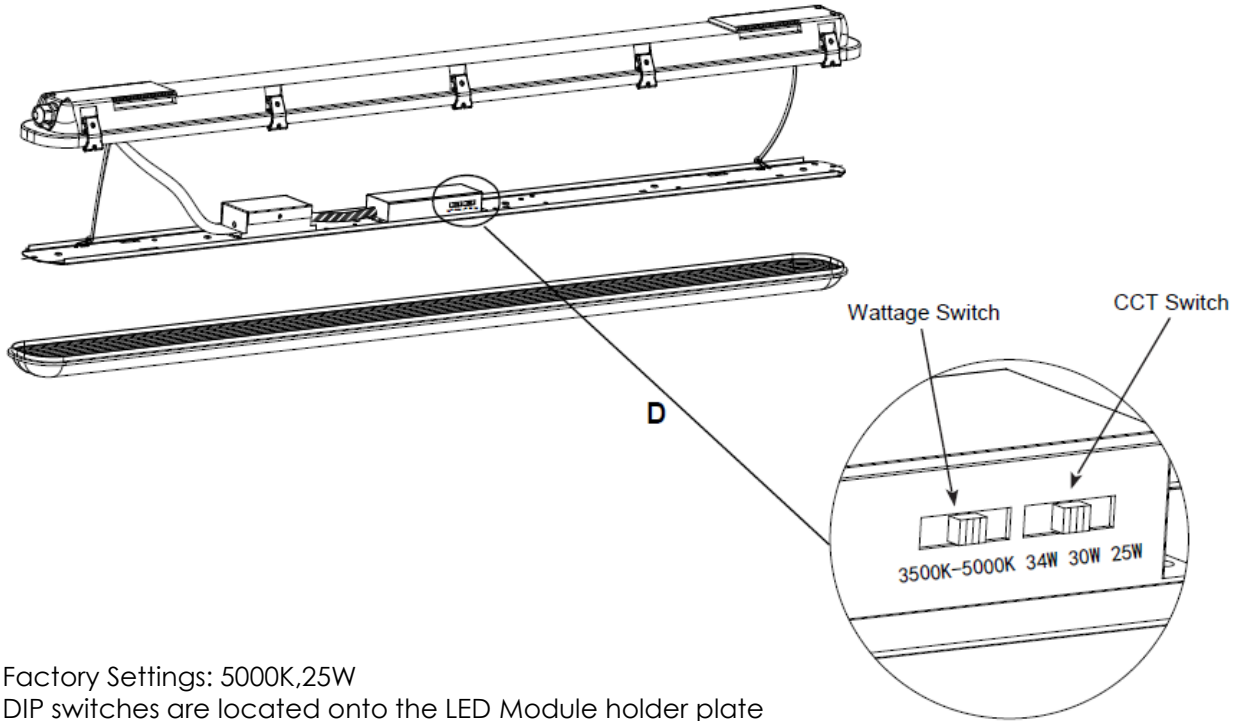
# VADOR EVOLVE

LINEAR FIXTURES

Tri-proof Linear Fixture

DATE					
PROJECT NAME					
<b>TYPE</b>					
QTY					
ORDERING CODE	AE-SF-VDE-CA	-	-	-010-8XX	-

## Field Adjustable Wattage & CCT



- Factory Settings: 5000K,25W
- DIP switches are located onto the LED Module holder plate temperatures and 3 powers respectively, which can perform the desired color temperature and lumen output combination.
- Select a wattage and color temperature by sliding switch left or right respectively to the desired value.

## MOTION SENSOR INFORMATION

The microwave sensor combines occupancy sensing with photocell. It enables any lighting manufacturer to deliver sensor-equipped fixtures with minimal engineering effort. It operates on 12V DC which can be supplied by a LED driver. Different mode can be selected according to different applications through RM5 I IR remote controller. The integrated photocell can switch the lights on and off for dusk to dawn control, so that lighting remains on overnight even without motion detection. Under photocell mode, set a lux threshold, light will automatically turn on when ambient light level is lower than this value, otherwise light turn off.

## ACCESSORIES

Ordered separately, field installed

PART NUMBER	DESCRIPTION	PICTURE
AE-SF-VDE-CMK	Cable mount kit: 3-meter suspension cable & V hook for cable mount	

# VADOR EVOLVE

LINEAR FIXTURES

Tri-proof Linear Fixture

DATE	
PROJECT NAME	
<b>TYPE</b>	
QTY	
ORDERING CODE	AE-SF-VDE-CA - - -010-8XX -

## LUMEN ESTIMATE

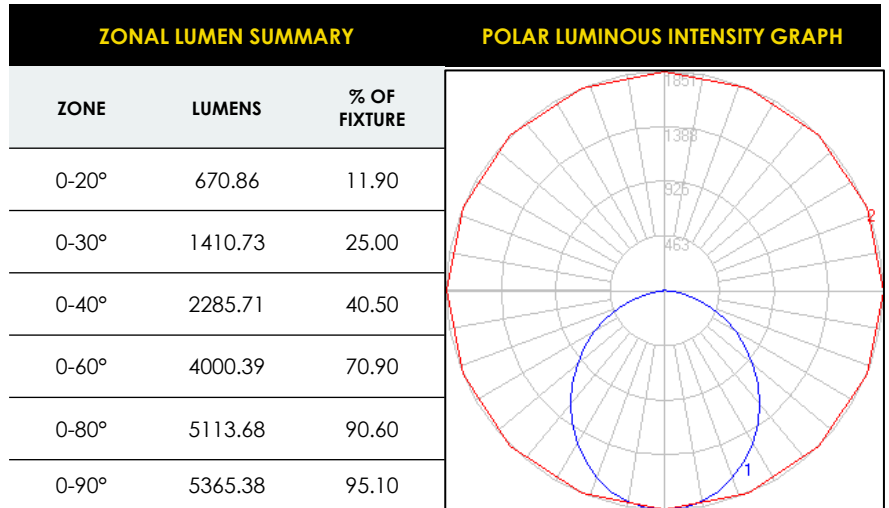
Lumen output varies based on CCT and CRI. An estimate of lumen output of the various CCT/CRI combinations, use correction factors as per table below:

### LUMEN ESTIMATE ADJUSTMENT FACTORS

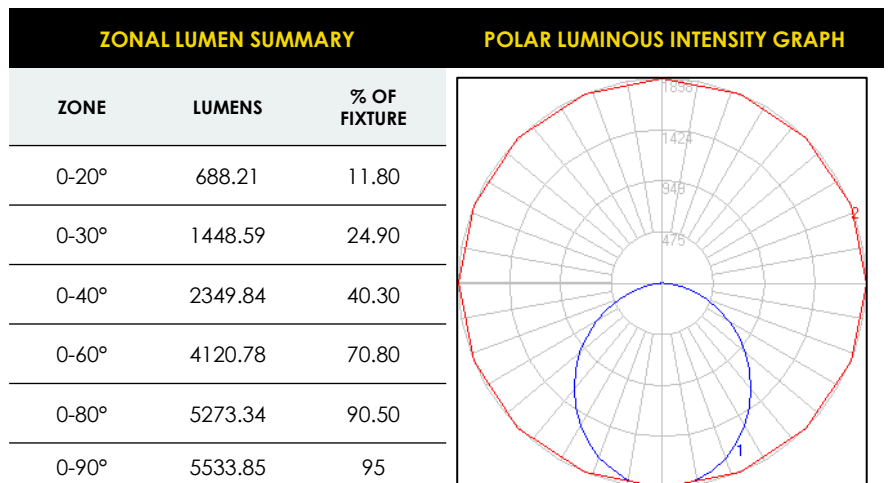
CCT	3000K	3500K	4000K	5000K
NORMAL (80CRI)	0.94	0.97	1	1.03

## PHOTOMETRIC DATA

AE-SF-VDECA4-544638010-8XX 46W  
 3500K  
 -3500K CCT  
 -4FT  
 -46 WATTS



AE-SF-VDECA4-544638010-8XX 46W  
 4000K  
 -5000 CCT  
 -4FT  
 -46 WATTS



# VADOR EVOLVE

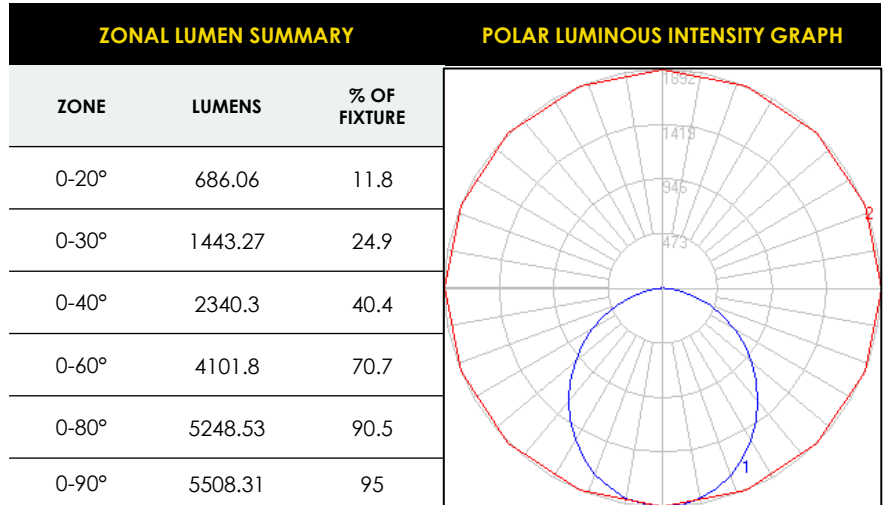
LINEAR FIXTURES

Tri-proof Linear Fixture

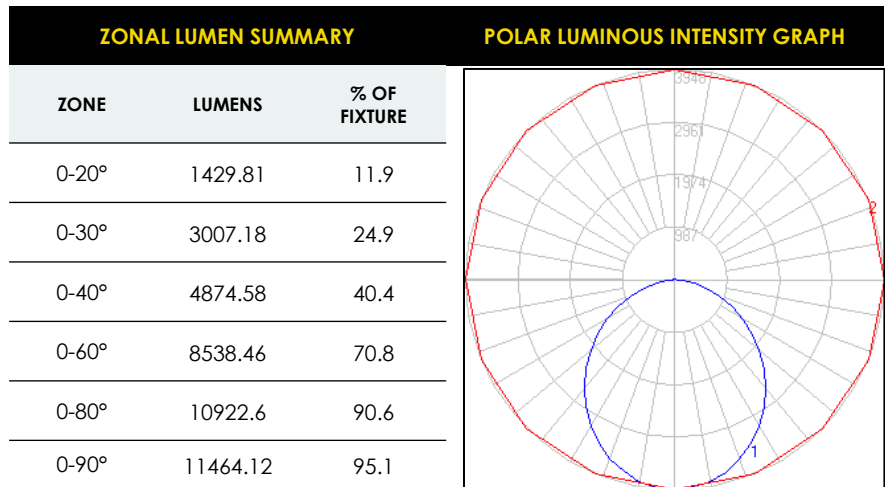
DATE	
PROJECT NAME	
<b>TYPE</b>	
QTY	
ORDERING CODE	AE-SF-VDE-CA - - -010-8XX -

## PHOTOMETRIC DATA

AE-SF-VDECA4-544638010-8XX 46W  
 3500K  
 -4000K CCT  
 -4FT  
 -46 WATTS



AE-SF-VDECA8-907565010-8XX 90W  
 4000K  
 -4000 CCT  
 -8FT  
 -90 WATTS



## DIMMER COMPATIBILITY LIST

0-10V Dimmer
LUTRON NTSTV-DV
LUTRON NFTV
LUTRON DVTV
LUTRON DVSTV
LEVITON IP710
LEVITON DS710
LEGRAND RH4FBL3PW

## DLC MODELS

PRODUCT ID	DLC MODEL
S-AXHITE	AE-SF-VDE-CA-8-90/75/65-010-8XX(-MS,-EM,Blank,Both)
S-FV8DZH	AE-SF-VDE-CA-4-54/46/38-010-8XX(-MS,-EM,Blank,Both)

# VADOR EVOLVE

LINEAR FIXTURES

Tri-proof Linear Fixture

DATE	
PROJECT NAME	
<b>TYPE</b>	
QTY	
ORDERING CODE	AE-SF-VDE-CA - - -010-8XX -

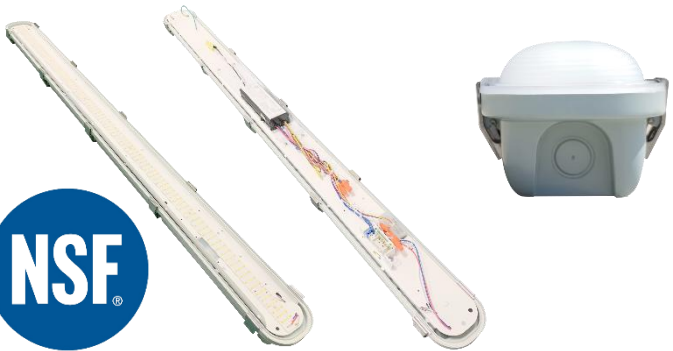
## OVERVIEW

Front & Back

IP 66



2FT: 25/20/15 Watts  
 4FT: 54/46/38 Watts  
 8FT: 90/75/65 Watts



### NSF CERTIFICATION

UL Sanitation Certified to NSF 2 Food Equipment standard for non-food zones

### UL94-5VA STANDARD HOUSING

with the 5VA standard (highest flame rating in UL94 standard, proof of self-extinguishes materials) PC housing, wires can be connected directly inside of the housing without internal junction box or silicone conduit.

### EASY ASSEMBLY AND MAINTAINANCE

Integrated lens and module plate make it easy to open fixtures for assembly.

### FIELD ADJUSTABLE POWER & CCT

Power / CCT adjustable which makes it easy to fulfill any project requirement.

### TRI-PROOF STRUCTURE

IP66 rated suitable for wet locations. All polycarbonate ensures strength of fixture structure while providing elegant look and finish.

### SIMPLE DESIGN

Simple mounting bracket accessory included with fixture allows for surface mounting.

### CLOSING CLASPS

Stainless steel, easy-to-use housing clips ensure waterproofing and LED fixture function.