



eralux®



VADOR HO

LINEAR FIXTURES

Tri-proof Linear Fixture

The VADOR HO Series is an energy-efficient and economical LED linear fixture designed for harsh and industrial environment. This fixture is configured with adjustable power and CCT switches that can cover most of your project needs. Integrated lens and module plate that makes the installation process simply a breeze. The VADOR HO can deliver an impressive 30K lumens while providing flexibility in lumens output and CCT.

DATE	
PROJECT NAME	
TYPE	
QTY	
ORDERING CODE	AE-SF-VDHO-CA-4-200/185/155-010-8XX -

OPERATING & ELECTRICAL

INPUT VOLTAGE	120-347V
POWER FACTOR	>0.9
DIMMING	0-10V
TOTAL HARMONIC DISTORTION (THD)	<20%

PERFORMANCE

LUMENS PER WATT	160 LPW at 80 CRI
POWER	Adjustable 200/185/155W
BEAM ANGLE	120°

MECHANICAL & HOUSING

HOUSING	Light gray polycarbonate housing and stainless-steel latches
LENS	UV resistant, frosted poly-carbonate lens casing and high transmittance lens
POWER SUPPLY	Factory wired electronic LED driver
LED BOARD	Discrete LED

APPLICATION CONSION

AMBIENT TEMPERATURE RANGE	-40°C to 50°C when fixture is suspended at least 18" from ceiling, -40°C to 40°C when fixture is surface mounted.
PROTECTION	NEMA4X, IP66, IK10

COMPATIBLE MOUNTING

MOUNTING	Surface Mount Suspended Mounting
----------	-------------------------------------

WARRANTY

SYSTEM WARRANTY – 5 YEARS

Eralux will warrant defective drivers, LEDs and boards for 5 years from the date of purchase. This warranty is valid only if the fixture is installed and used as per installation guides and specifications. If a defect is present, Eralux will send drivers and boards at no fee with a thorough replacement instructions along with instructions on the return of the defective parts back to Eralux.

LUMEN MAINTENANCE – L70 at 100,000 hours

Rated for 70% initial lumen output at 100,000 hours of operation, operated at 25°C ambient temperature; per guidelines published by the Illuminating Engineering Society (IES).

VADOR HO

LINEAR FIXTURES

Tri-proof Linear Fixture

DATE	
PROJECT NAME	
TYPE	
QTY	
ORDERING CODE	AE-SF-VDHO-CA-4-200/185/155-010-8XX -

ORDERING GUIDE

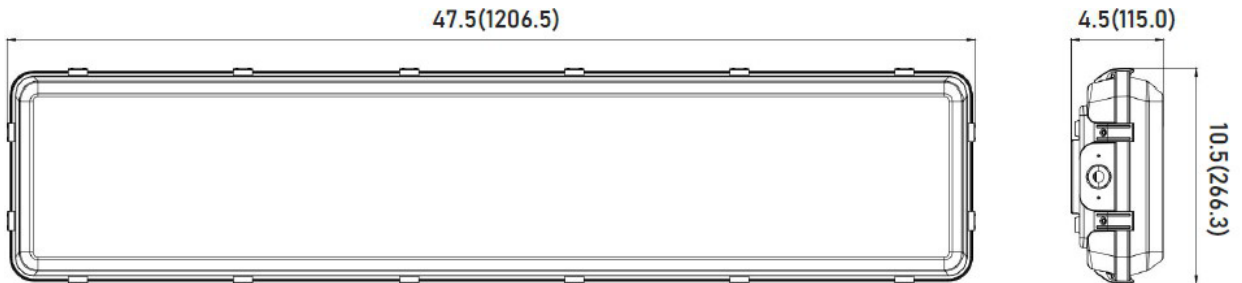
EXAMPLE: AE-SF-VDHO-CA-4-200/185/155-010-8XX

FIXTURE FAMILY	INPUT VOLTAGE	SIZE	POWER	CONTROLS	CRI & CCT	SENSOR/EMBB
AE-SF-VDHO	CA	4-	200/185/155	010-	8XX	-
VADOR HO Series Tri-proof linear fixture	120-347Vac input voltage	4 feet: 47.2'' 1200mm	200/185/155 watts: 32000/29600/24 800 lumens	0-10V dimming	80 CRI & 3500K/4000K/ 5000K CCT Switchable	[BLANK] No accessories -MS Microwave motion sensor -EMBB Emergency battery back up

CAUTION: If there are multiple fixtures connected to the same 0-10V dimming line, a 0-10V controller must be considered to enable consistent dimming across the fixtures. Failure to do so will lead to inconsistent dimming and behaviors in the fixtures. Single switch is not recommended for controlling multiple fixtures simultaneously.

PRODUCT DIMENSIONS

AE-SF-VDHO-CA-4-200/185/155-010-8XX



VADOR HO

LINEAR FIXTURES

Tri-proof Linear Fixture

DATE	
PROJECT NAME	
TYPE	
QTY	
ORDERING CODE	AE-SF-VDHO-CA-4-200/185/155-010-8XX -

ACCESSORIES

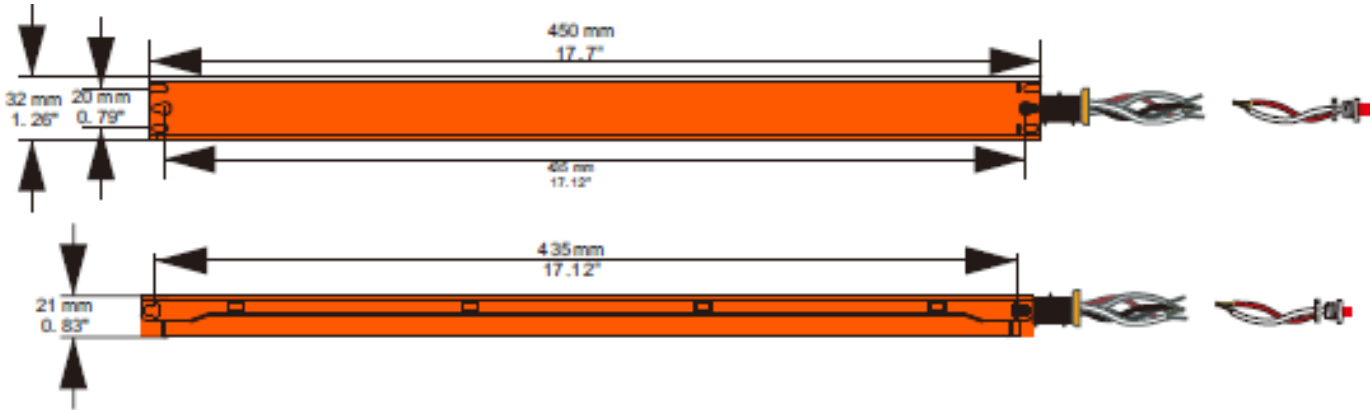
Ordered separately

EMERGENCY LED DRIVER (YT-XX)



- Battery protections : over voltage, over current , over charge, over discharge and short circuit.
- Constant power Output
- Multi-voltage input:100-347Vac,50/60Hz

DIMENSIONS (inches and mm)



Ordering Code

BLD-YT08D-XXX

BLD-YT15D-YYY

OUTPUT POWER : 8 WATTS

OUTPUT POWER : 25 WATTS

VADOR HO

LINEAR FIXTURES

Tri-proof Linear Fixture

DATE	
PROJECT NAME	
TYPE	
QTY	
ORDERING CODE	AE-SF-VDHO-CA-4-200/185/155-010-8XX -

ACCESSORIES

Ordered separately

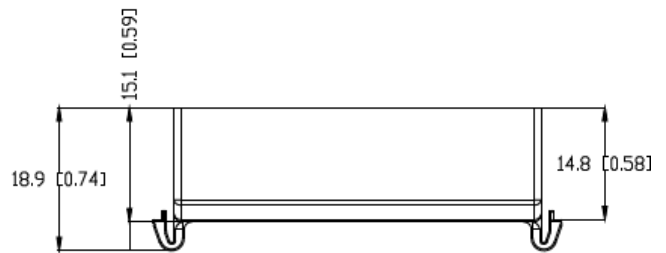
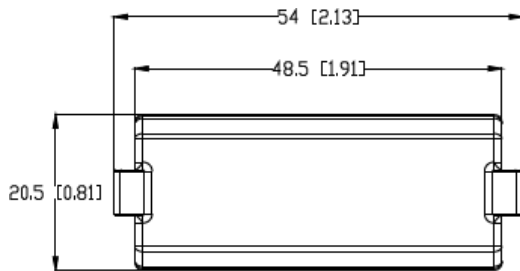
MOTION SENSOR



- Detection Range : 26 FT Max
- Mounting Height: 16FT Min
- Operating Temperature : -30°C ~ 55°C

IFSO8-ET is compact size microwave sensor combines occupancy sensing with photocell. When used with 0-10V dim-to-off LED drivers, it enables any lighting manufacturer to deliver sensor-equipped fixtures with minimal engineering effort.

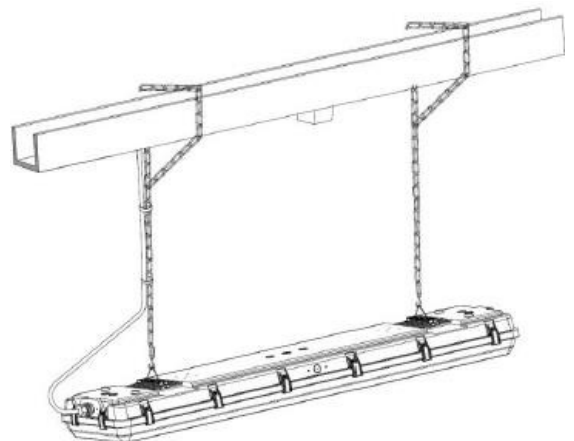
DIMENSIONS (inches and mm)



SUSPENSION CHAIN

ORDERING CODE

AE-SF-VDHO-CHAIN



VADOR HO

LINEAR FIXTURES

Tri-proof Linear Fixture

DATE	
PROJECT NAME	
TYPE	
QTY	
ORDERING CODE	AE-SF-VDHO-CA-4-200/185/155-010-8XX -

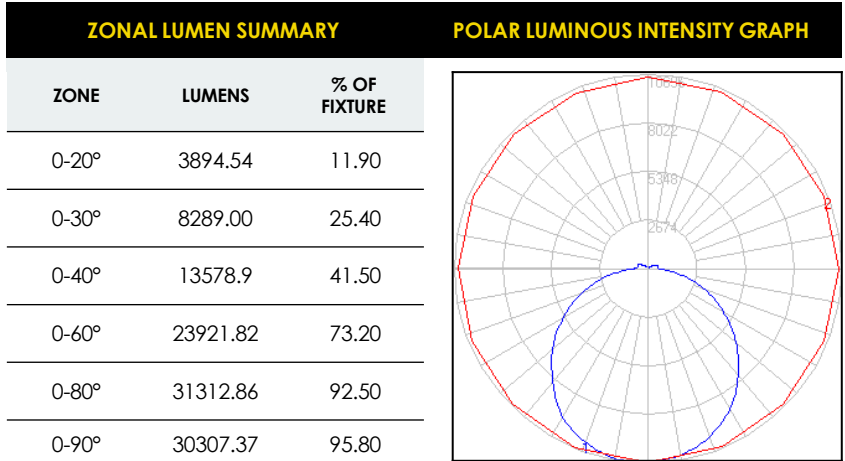
LUMEN ESTIMATE

Lumen output varies based on CCT and CRI. An estimate of lumen output of the various CCT/CRI combinations, use correction factors as per table below:

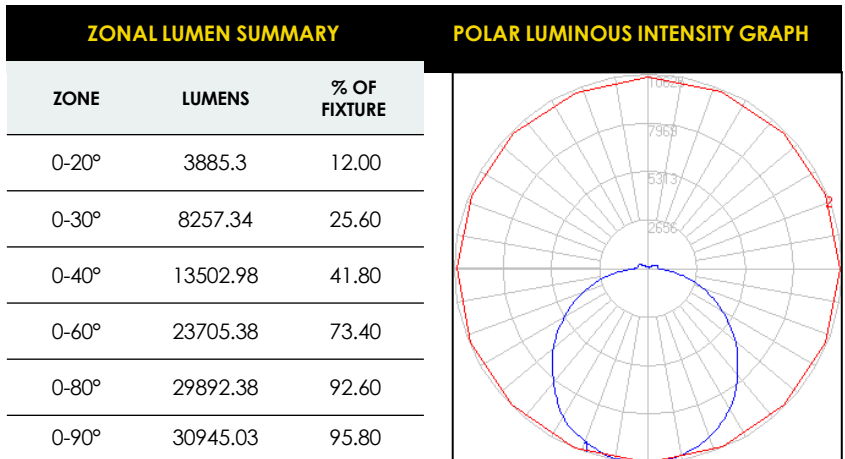
LUMEN ESTIMATE ADJUSTMENT FACTORS				
CCT	3000K	3500K	4000K	5000K
NORMAL (80CRI)	0.94	0.97	1	1.03

PHOTOMETRIC DATA

AE-SF-VDHO-CA-4-200-010-8XX
200W
5000K CCT



AE-SF-VDHO-CA-4-200-010-8XX
200W
3500K CCT



DATE	
PROJECT NAME	
TYPE	
QTY	
ORDERING CODE	AE-SF-VDHO-CA-4-200/185/155-010-8XX -

OVERVIEW

Front & Back



4FT: 200/185/155 Watts



UL94-5VA STANDARD HOUSING

with the 5VA standard (highest flame rating in UL94 standard, proof of self-extinguishes materials) PC housing, wires can be connected directly inside of the housing without internal junction box or silicone conduit.

EASY ASSEMBLY AND MAINTAINANCE

Integrated lens and module plate make it easy to open fixtures for assembly.

FIELD ADJUSTABLE POWER & CCT

Adjustable power (54/46/38 watts) and CCT (3500K/4000K/5000K) make it easy to fulfill any project requirement.

TRI-PROOF STRUCTURE

IP66 rated suitable for wet locations. All polycarbonate ensures strength of fixture structure while providing elegant look and finish.

SIMPLE DESIGN

Simple mounting bracket accessory included with fixture allows for surface mounting.

CLOSING CLASPS

Stainless steel, easy-to-use housing clips ensure waterproofing and LED fixture function.