

VERMONT

OUTDOOR PRODUCTS

Outdoor Canopy Light



eralux®



The VERMONT Series outdoor luminaire is designed as a parking garage fixture, directly customizable in a variety of power and CCT options for your lighting application needs. The curved lens features a 140° shaped beam. Its robust and durable design allow it to withstand the outdoor elements wherever placed.

DATE				
PROJECT NAME				
TYPE				
QTY				
ORDERING CODE	AE-OD-VT		-40	-

OPERATING & ELECTRICAL

INPUT VOLTAGE	120-277Vac
POWER FACTOR	0.9
TOTAL HARMONIC DISTORTION (THD)	<20%
DIMMING	0-10V dimming

MECHANICAL & HOUSING

HOUSING	Aluminum die cast housing for superior heat dissipation, strength, and rigidity.
LENS	UV resistant, polycarbonate lens ensures high efficiency light output for a clean, evenly illuminated surface with minimal glare. High transmittance lens allowing for a smooth, diffused light pattern.
FINISH	Powder coat finish for the toughest outdoor conditions. Available in white color.
POWER SUPPLY	Factory wired electronic LED driver
LED BOARD	LED Array

APPLICATION CONDITION

AMBIENT TEMPERATURE RANGE	-40°C to 50°C
PROTECTION	LED fixture IP65 rated

COMPATIBLE MOUNTING

MOUNTING	Surface, 3/4" NPT pole mount
----------	------------------------------

WARRANTY

SYSTEM WARRANTY – 5 YEARS

Eralux will warrant defective drivers, LEDs and boards for 5 years from the date of purchase. This warranty is valid only if the fixture is installed and used as per installation guides and specifications. If a defect is present, Eralux will send drivers and boards at no fee with a thorough replacement instructions along with instructions on the return of the defective parts back to Eralux.

LUMEN MAINTENANCE – L70 at 100,000 hours

Rated for 70% initial lumen output at 100,000 hours of operation, operated at 25°C ambient temperature; per guidelines published by the Illuminating Engineering Society (IES). (L70 at 100,000 hours)

DATE			
PROJECT NAME			
TYPE			
QTY			
ORDERING CODE	AE-OD-VT		-40 -

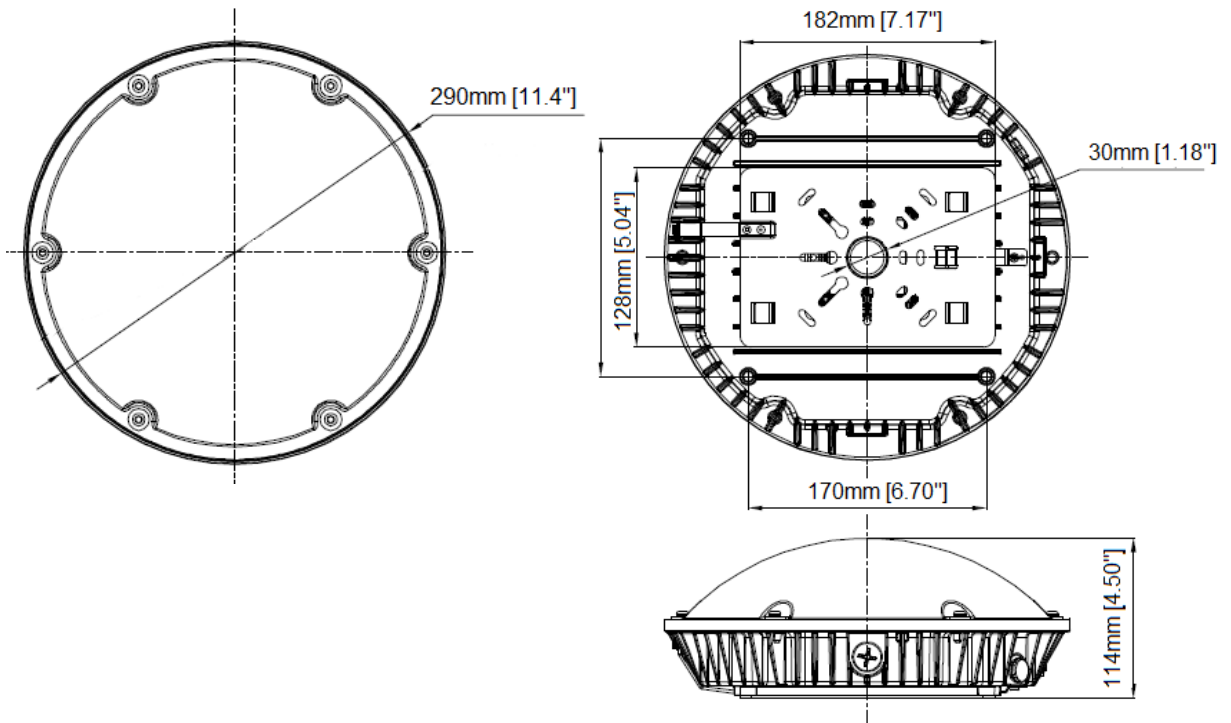
ORDERING GUIDE

EXAMPLE: AE-OD-VT40W-40

FIXTURE FAMILY	POWER	CCT	SENSOR
AE-OD-VT		-40	-
AE-OD-VT ERALUX Vermont Series outdoor canopy light fixture	40W 40 Watts: 5180 lumens	-40 4000K CCT	-[blank] No sensor
	65W 65 Watts: 8100 lumens		-M Bi-level microwave sensor

PRODUCT DIMENSIONS


AE-OD-VT



DATE			
PROJECT NAME			
TYPE			
QTY			
ORDERING CODE	AE-OD-VT	-40	-

ACCESSORIES

Ordered separately

Part Number	Description	Picture
AE-OD-VT-RC100	IR remote controller for sensor	

LUMEN ESTIMATE

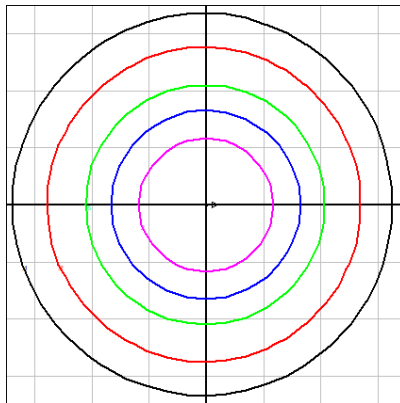
Lumen output varies based on CCT and CRI. An estimate of lumen output of the various CCT/CRI combinations, use correction factors as per table below:

LUMEN ESTIMATE ADJUSTMENT FACTORS				
CCT	2700K	3000K	3500K	4000K
NORMAL (80CRI)	0.91	0.94	0.97	1

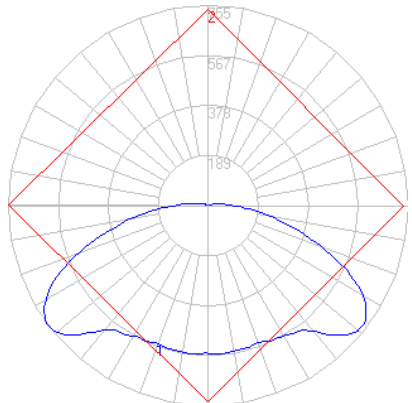
PHOTOMETRIC DATA

AE-OD-VT25W-40-050-0-10-S-N

GRID DISTANCES WITH A MOUNTING HEIGHT OF 10' AFG



POLAR LUMINOUS INTENSITY GRAPHS



DATE			
PROJECT NAME			
TYPE			
QTY			
ORDERING CODE	AE-OD-VT		-40 -

OVERVIEW



MOUNTING

Mount using 3/4" NPT pole or fix flush by surface mounting to wall or ceiling of your project space.

BATWING DISTRIBUTION

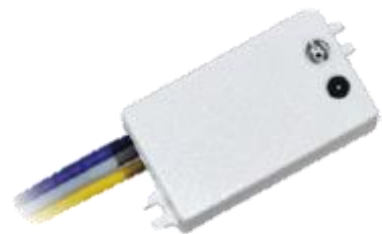
160-degree bat-wing beam angle provides a unique distribution while accenting your project space.

ACCESSORIES

Choose from a variety of accessories such as emergency battery back-up kits, or bi-level microwave sensors.



10W Emergency Kit



Bi-level Microwave Sensor