

# VERSA EVOLVE



## LED COMMERCIAL DOWNLIGHT

### Recessed Downlight | 4" Round | Adjustable Tilt

The new VERSA EVOLVE series, with its ability to direct light to the right place every time. Its adjustable beam tilts to 25° and the 40° beam angle will light up your spaces with an even higher lumen output. With its five CCT selectable option, the VERSA EVOLVE's versatility will be the perfect downlight for indoors  
 Applications: Office, Retail Stores, Showrooms, Art Galleries, Hotels and Lobbies, Restaurants.

	DATE	QTY	ACC. QTY	TYPE
PROJECT				
PN				
ACCESSORY PN				
NOTES				

### DYNAMIC MENU

Order Information	<a href="#">Page 2</a>
Dimensions	<a href="#">Page 2</a>
Accessories	<a href="#">Page 3</a>
Photometric Data	<a href="#">Page 5</a>

[Install Instruction link](#)

### SPECIFICATIONS

Input Voltage	120V
Power Factor	>0.9
Total Harmonic Distortion	<20%
Dimming <a href="#">Page 5</a>	TRIAC dimming 10%-100%
CRI	90 CRI
CCT	<div style="display: flex; gap: 10px;"> <div style="border: 1px solid gray; border-radius: 50%; width: 25px; height: 25px; background-color: #fff9c4; display: flex; align-items: center; justify-content: center;">27K</div> <div style="border: 1px solid gray; border-radius: 50%; width: 25px; height: 25px; background-color: #fff176; display: flex; align-items: center; justify-content: center;">30K</div> <div style="border: 1px solid gray; border-radius: 50%; width: 25px; height: 25px; background-color: #bbdefb; display: flex; align-items: center; justify-content: center;">35K</div> <div style="border: 1px solid gray; border-radius: 50%; width: 25px; height: 25px; background-color: #e1bee7; display: flex; align-items: center; justify-content: center;">40K</div> </div>
Efficacy	~85 LPW
Size (inch)	4
Power (W)	12W
Ambient Temperature Range	-20°C to 45°C
Mounting Accessories	New construction or retrofit
Reflector Finish	Matte white
Trim Finish	Matte white
Tilt angle	±25°



### PRODUCT FEATURES



### PRODUCT CERTIFICATIONS



### SYSTEM WARRANTY – 5 YEARS

Eralux will warrant defective drivers, LEDs and boards for 5 years from the date of purchase. This warranty is valid only if the fixture is installed and used as per installation guides and specifications. If a defect is present, Eralux will send drivers and boards at no fee with a thorough replacement instructions along with instructions on the return of the defective parts back to Eralux.

### LUMEN MAINTENANCE – L70 at 50,000 hours

Rated for 70% initial lumen output at 50,000 hours of operation, operated at 25°C ambient temperature; per guidelines published by the Illuminating Engineering Society (IES).

Distribution

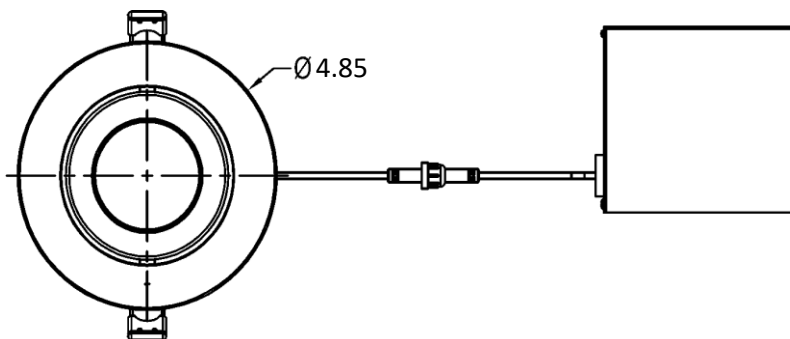
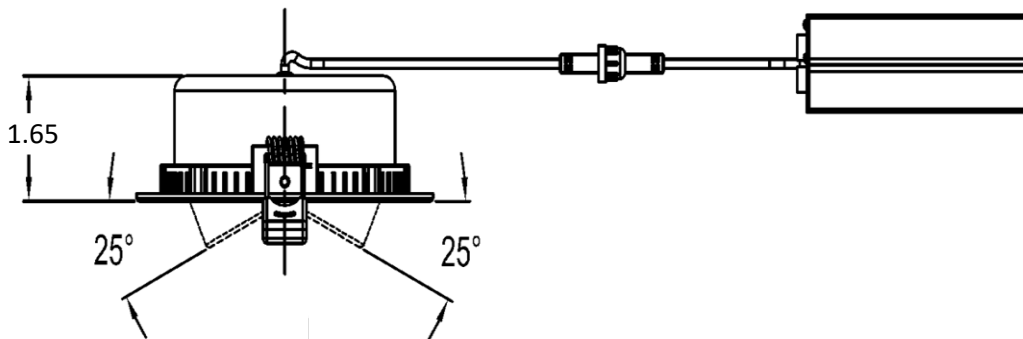


### ORDERING GUIDE

<b>AE-DL-VS-</b>	<b>4-</b>	<b>12W-</b>	<b>TRIAC-</b>	<b>P27/30/35/40/50</b>
ERALUX Versa Evolve Series LED commercial downlight	<b>4-</b> 4 inches	<b>12W</b> 12W-1000 lumens	<b>TRIAC-</b> TRIAC Dimming	<b>P27/30/35/40/50</b> 90CRI 27/30/35/40/50K Switchable CCT

Fixture Family	Shape & Size	Power	Controls	CCT
----------------	--------------	-------	----------	-----

### DIMENSIONS



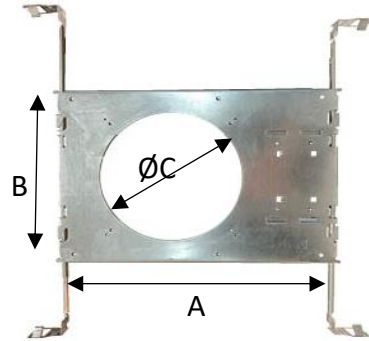
### ACCESSORIES

Ordered separately, field installed.

### NEW CONSTRUCTION UNIVERSAL FRAME KIT

SPECIFICATIONS	
<b>MATERIAL</b>	22-gauge galvanized steel housing
<b>MOUNTING</b>	T Grid Ceiling
	Gypsum Ceiling
	Maximum Thickness ~1.5"
<b>LENGTH (A)</b>	12.75"
<b>WIDTH (B)</b>	8.63"

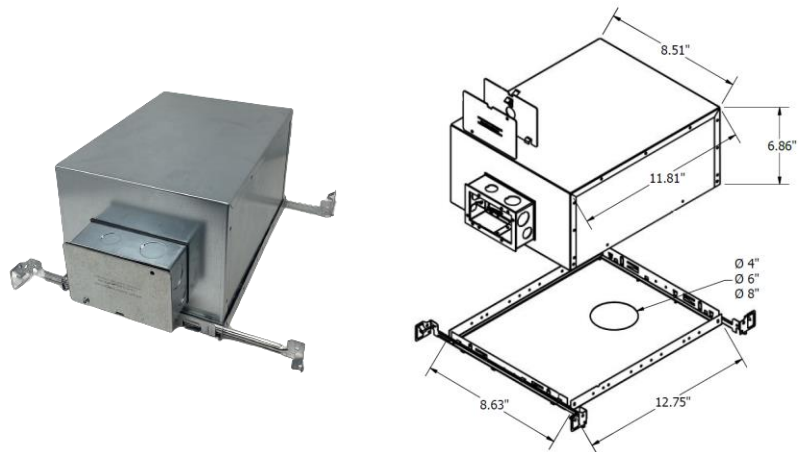
OPENING SIZE			
ORDERING CODE	SIZE	SHAPE	C
AE-DL-FRKT-04-UNV	4"	Round	Ø 4.5"



### CHICAGO PLENUM

SPECIFICATIONS	
<b>MATERIAL</b>	27-gauge galvanized steel frame Galvanized steel junction box with gasket
<b>MOUNTING</b>	T-bar or drywall ceilings Up to 1.5" thick

OPENING SIZE		
ORDERING CODE	SIZE	SHAPE
AE-DL-FRKT-PL-04	4"	Round



COMPONENTS
Chicago Plenum External Cover
Chicago Plenum Internal Cover
Chicago Plenum I.C. Box
Chicago Plenum 4-inch Plaster Frame
Chicago Plenum Suspension Bars (2 sets)

### CONTROLS

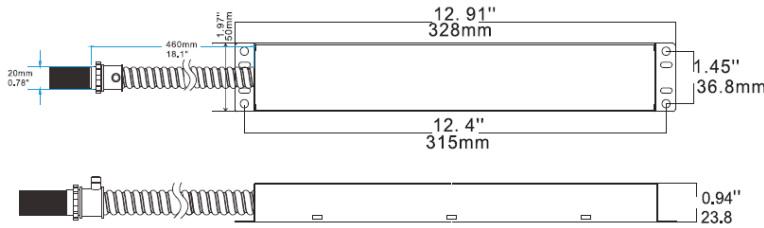
Ordered separately, field installed

### EMERGENCY LED DRIVER (BLD-HMXXD-YYY)

BLD-HM8D-YYY



The BLD-HMXXD-YYY series LED Emergency Driver is UL listed for field and factory installations. It switches to emergency mode during power failures, providing up to 90 minutes of lighting. With an integrated battery, charger, and converter, it delivers 6-25W constant power at 170VDC. Ideal for 0-10V dimmable indoor commercial LED fixtures, such as flat panels, troffers, downlights, and linear strip lights.



### ROOM OCCUPANCY SENSOR

PART NUMBER	DESCRIPTION
AE-CT-DT806	Line Voltage Motion Sensor
RC102	RC102 Remote Control



SPECIFICATIONS	
Input Voltage	100-347 Vac
Power Frequency	50/60HZ
Input Power	8W max
Output Voltage	170V Dc
Output Power	8W
Ambient Temperature	0°C to 50°C
	30°F to 122°F
Installation	Remote

SPECIFICATIONS		
Input Voltage	120-277 Vac	
Power Frequency	50/60HZ	
Rated Load	At 120 Vac	800W
	At 277 Vac	1200W
Detection Range	3-10 Meters	
	9.8-32.8 Feet	
Standby Power	~0.9W	
Time Setting	10 sec to 30 min	
Light Control	10-2,000LUX	
Installation	Ceiling Mounted	

### LUMENS ESTIMATE

Lumen output varies based on CCT and CRI. An estimate of lumen output of the various CCT/CRI combinations, use correction factors as per table below:

#### LUMEN ESTIMATE ADJUSTMENT FACTORS

CCT	2700K	3000K	3500K	4000K
NORMAL	0.97	1	1.03	1.05

### PHOTOMETRIC DATA

PART NUMBER		ZONAL LUMEN SUMMARY			POLAR LUMINOUS INTENSITY
AE-DL-VS-4-12W-TRIAC-XX		Zone	Lumens	% Fixture	Direct Light
Wattage	12W	0-20°	475.31	45.40	
CCT	3500K	0-30°	737.75	70.40	
Distribution	95°	0-40°	889.26	84.90	
		0-60°	1011.36	96.90	
		0-80°	1044.5	99.70	
		0-90°	1047.47	100.00	

### DIMMER COMPATIBILITY LIST

TRIAC Dimming

Brand	Model	Brand	Model
LUTRON	S-600PR-WH	LEVITON	6631-1LW
	CTCL-153PR-WH		6674-POT
	DVWCL-153PH-WH		6672-1LW
	DVCL-153PR-BL		6683-1W
	TG600PR-LA		
	TGCL-153PH-WH		
	CT600P-WH		

### OVERVIEW



#### Innovative Design

- The Recessed downlight is Adjustable head offers freedom of directing light almost any angle at 25° tilt, aiming the light to desired place to light up specific environment.



#### Multiple Options

- Available in 4"
- CCT switchable with 5 options from 2700K to 5000K
- white trim finish



#### Mountings Available

- Fixture comes standard with junction box allowing for excellent cable management reducing installation errors and potential maintenance, facilitating installation.



#### Tests And Certifications

