

ZEUS

OUTDOOR PRODUCTS

Outdoor Stadium Light

The Zeus Series LED luminaire is designed to show off your stadium and athletic field lighting needs. It offers a superior efficacy of up to 130 LPW with multiple CCT and beam angle variations at both 120-277V, and 277-480V. Its bracket mount, optional visor, and laser positioning tool will allow you to be able to focus the light to maximize your space.



eralux®



DATE	
PROJECT NAME	
TYPE	
QTY	
ORDERING CODE	AE-SP-ZS -010 -

OPERATING & ELECTRICAL

INPUT VOLTAGE	120-277Vac, 277-480Vac
POWER FACTOR	0.95
DIMMING	1-10V dimming
TOTAL HARMONIC DISTORTION (THD)	<20%

PERFORMANCE

LUMENS PER WATT	130 LPW at 12° 160 LPW at 30°, 55°
POWER CONSUMPTION	320W, 480W, 600W
BEAM ANGLE	12°, 30°, 55°

WARRANTY

SYSTEM WARRANTY – 5 YEARS

Eralux will warrant defective drivers, LEDs and boards for 5 years from the date of purchase. This warranty is valid only if the fixture is installed and used as per installation guides and specifications. If a defect is present, Eralux will send drivers and boards at no fee with a thorough replacement instructions along with instructions on the return of the defective parts back to Eralux.

LUMEN MAINTENANCE – L70 at 50,000 hours

Rated for 70% initial lumen output at 50,000 hours of operation, operated at 25°C ambient temperature; per guidelines published by the Illuminating Engineering Society (IES). (L70 at 50,000 hours)

APPLICATION CONDITION

AMBIENT TEMPERATURE RANGE	-30 to 50°C
PROTECTION	IK08, LED fixture IP66 rated

COMPATIBLE MOUNTING

MOUNTING 90° adjustable U-bracket

MECHANICAL & HOUSING

HOUSING	Aluminum die-cast for excellent thermal management and dissipation essential for long lasting, rigid structure and LED driver.
LENS	UV resistant, polycarbonate lens ensures high efficiency light output for a clean, evenly illuminated surface with minimal glare. High transmittance lens allowing for a smooth, diffused light pattern.
FINISH	Powder coat finish for the toughest outdoor conditions. Available in ERALUX black
POWER SUPPLY	Factory wired electronic LED driver
LED BOARD	Light emitted source

DATE					
PROJECT NAME					
TYPE					
QTY					
ORDERING CODE	AE-SP-ZS		-010	-	

ORDERING GUIDE

EXAMPLE: AE-SP-ZS320W-010UV-4000K30

FIXTURE FAMILY	POWER	CONTROLS	VOLTAGE	CCT	BEAM ANGLE
AE-SP-ZS		-010		-	
AE-SP-ZS ERALUX ZEUS Series LED stadium light fixture	480W 480 watts: 62,000 lumens • 62,400 Lms at 12° beam angle • 76,800 Lms at 30°, 55° beam angle	-010 1-10V Dimming	UV 120-277Vac input voltage range	-4000K 4000K CCT	12 12° beam angle
			HV 277-480Vac input voltage range		-5000K 5000K CCT
	600W 600 watts • 78,000 Lms at 12° beam angle • 96,000 Lms at 30°, 55° beam angle				

ACCESSORIES

Ordered separately, field installed

AE-OD-SP-ZS-VS

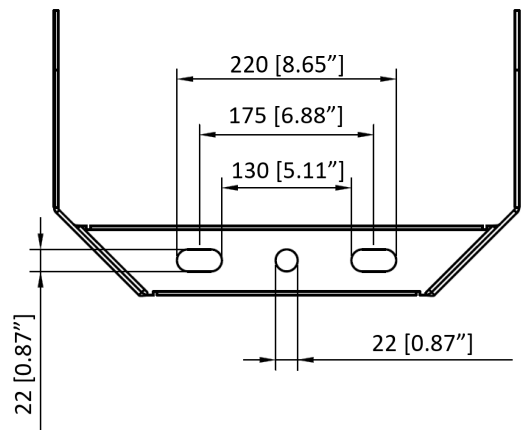
ADC12 materials with outdoor powder coating



EPA

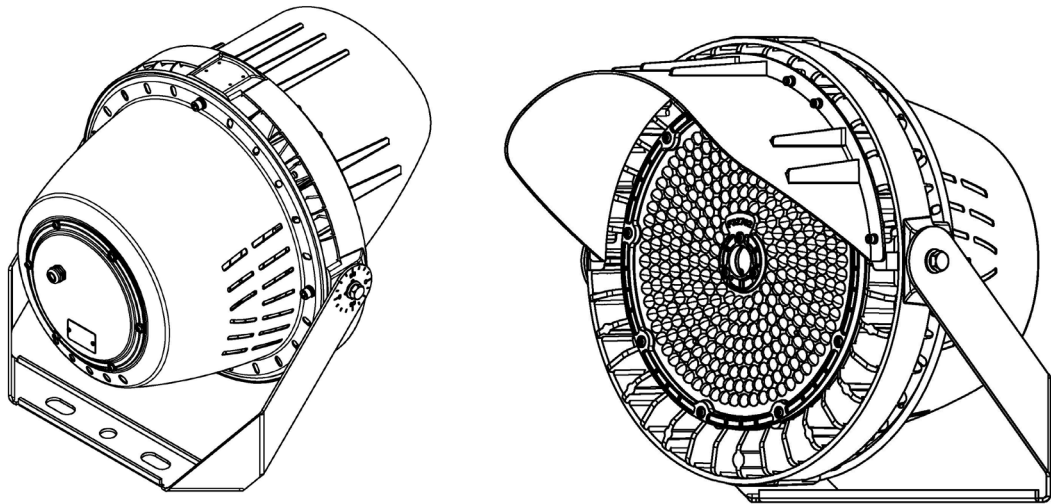
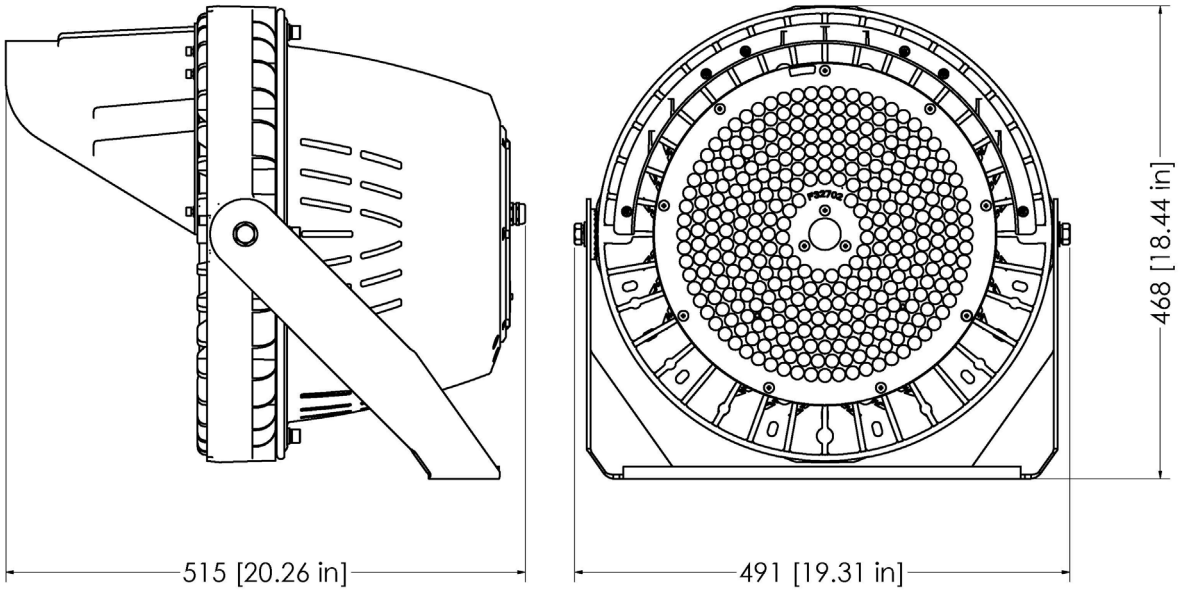
1.89Ft² (0.17m²)

Drill Template



DATE					
PROJECT NAME					
TYPE					
QTY					
ORDERING CODE	AE-SP-ZS	-010	-		

PRODUCT DIMENSIONS (in mm)



DATE				
PROJECT NAME				
TYPE				
QTY				
ORDERING CODE	AE-SP-ZS	-010	-	

LUMEN ESTIMATE

Lumen output varies based on CCT and CRI. An estimate of lumen output of the various CCT/CRI combinations, use correction factors as per table below:

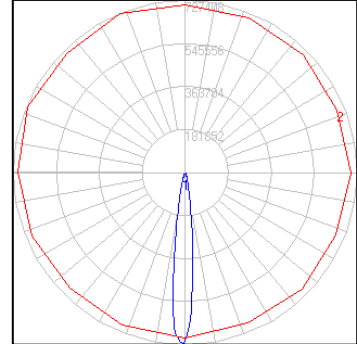
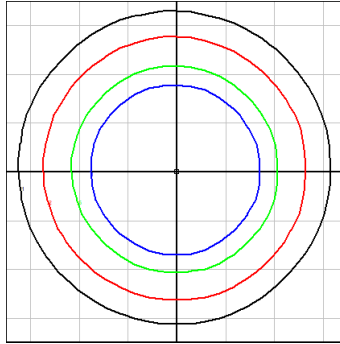
LUMEN ESTIMATE ADJUSTMENT FACTORS				
CCT	2700K	3000K	3500K	4000K
PREMIUM (90CRI)	.96	1	1.03	1.06

PHOTOMETRIC DATA

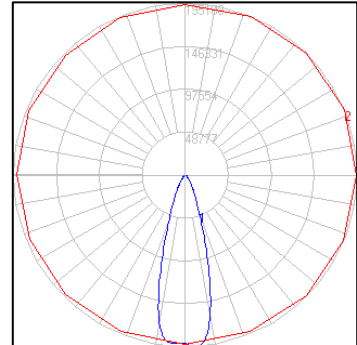
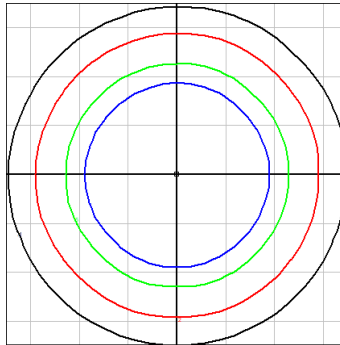
GRID DISTANCES WITH A MOUNTING HEIGHT OF 10' AFG

POLAR LUMINOUS INTENSITY GRAPHS

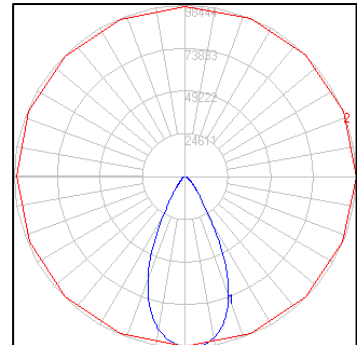
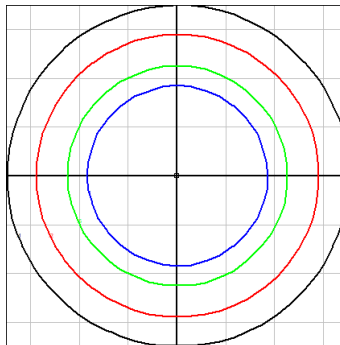
AE-SP-ZS480W-010UV-5000K12



AE-SP-ZS480W-010UV-5000K30



AE-SP-ZS480W-010UV-5000K55



DATE					
PROJECT NAME					
TYPE					
QTY					
ORDERING CODE	AE-SP-ZS		-010	-	

OVERVIEW

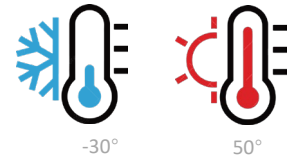
COMPONENTS

Components are designed to provide high-output, high-efficacy illumination. LED fixture and driver are IP66 ensuring durability through tough environmental conditions. The ZEUS series also features super BUG control over the beams to enable placement of the light source to the right place.



RADIATOR VENTILATION

Seamless link of aero-metal materials, and numerous vents on the fixture's heat sink provide superior thermal heat management, and dissipate heat from the field.



SOLID STATE DESIGN

Unique and advanced design had no fixed components. All parts are rugged, strong, and removable, if needed, for servicing.

