

APOLLO

eralux®

TRACK LED LIGHT

Linear Track Head | Wall Wash | 1', 2' Length

APOLLO is an elegant linear wall wash track fixture perfect for enhancing any space. With power options of 30W delivering 2250 lumens and 60W providing 5100 lumens, it ensures bright, efficient lighting. Its durable aluminum die-cast casing offers excellent heat dissipation and longevity, while a wide 100-degree beam angle creates an inviting atmosphere in retail environments.

Applications: Art Galleries | Show Rooms | Retail Stores | Hospitality

	DATE	QTY	ACC. QTY	TYPE
PROJECT				
PN				
ACCESSORY PN				
NOTES				



DYNAMIC MENU

Order Information	Page 2
Dimensions	Page 3
Accessories	Page 4
Photometric Data	Page 6

[Install Instruction Link](#)

SPECIFICATIONS

Input Voltage	120V
Power Factor	>0.9
Total Harmonic Distortion	<20%
Dimming Page 5	TRIAC dimming
CRI	90 CRI
CCT	<div style="display: flex; gap: 10px;"> <div style="border: 1px solid black; border-radius: 50%; width: 25px; height: 25px; background-color: #fff9c4; display: flex; align-items: center; justify-content: center;">27K</div> <div style="border: 1px solid black; border-radius: 50%; width: 25px; height: 25px; background-color: #fff176; display: flex; align-items: center; justify-content: center;">30K</div> <div style="border: 1px solid black; border-radius: 50%; width: 25px; height: 25px; background-color: #fff9c4; display: flex; align-items: center; justify-content: center;">35K</div> <div style="border: 1px solid black; border-radius: 50%; width: 25px; height: 25px; background-color: #e1bee7; display: flex; align-items: center; justify-content: center;">40K</div> </div>
Efficacy	~85-90 lm/W
Size & Power	1 FT 30 W 2 FT 60 W
Ambient Temperature Range	-10°C to 35°C
Mounting Adapter	Juno Global Halo Lightolier
Mounting Options	Track System Monopoint
Fixture Finish	Black White Silver



PRODUCT CERTIFICATIONS



SYSTEM WARRANTY – 5 YEARS

Eralux will warrant defective drivers, LEDs and boards for 5 years from the date of purchase. This warranty is valid only if the fixture is installed and used as per installation guides and specifications. If a defect is present, Eralux will send drivers and boards at no fee with a thorough replacement instructions along with instructions on the return of the defective parts back to Eralux.

LUMEN MAINTENANCE – L70 at 50,000 hours

Rated for 70% initial lumen output at 50,000 hours of operation, operated at 25°C ambient temperature; per guidelines published by the Illuminating Engineering Society (IES).

Distribution



TRACK LED LIGHT

Linear Track Head | Wall Wash | 1', 2' Length



ORDERING GUIDE

AE-TL-AP		12	FL	P			
AE-TL-AP ERALUX Apollo Linear Wall Wash Track Head	1FT 1 foot 30 W 2250 lm 2FT 2 feet 60 W 5100 lm	12 120V	FL Flood wall wash 100°	P Premium 90 CRI	27 2700K 30 3000K 35 3500K 40 4000K	J1 Juno G1 Global H1 Halo L1 Lightolier	BK Black powder coat WH White powder coat SV Silver powder coat
Fixture Family	Length	Input Voltage	Distribution	CRI	CCT	Adapter	Finish



ORDERING GUIDE - ACCESSORIES

Ordered separately

T10016 Monopoint Mounting T10017 Duopoint Mounting	-BLK Black -WHT White -SLV Silver
Mounting	Finish



ORDERING GUIDE - TRACK SYSTEM

Track system and components are ordered with the track head if needed.

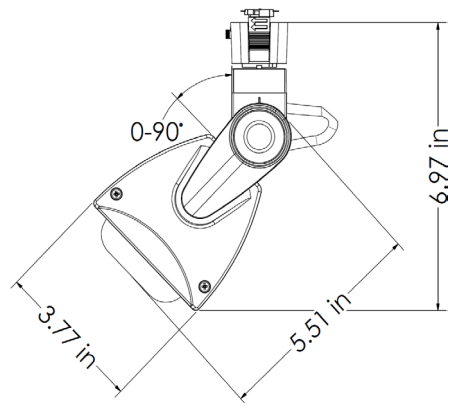
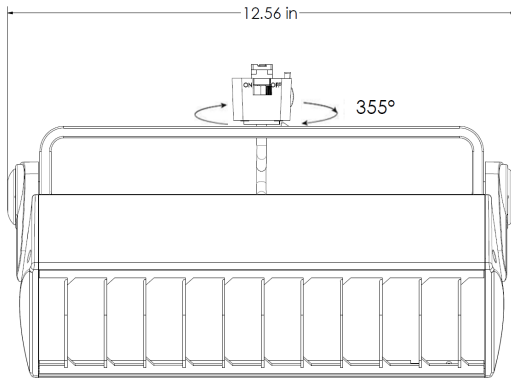
Refer to the links below for more information

T1 ERALUX Track T1 Compatible with Juno system-1 circuit	-2 2ft track -4 4ft track -6 6ft track -8 8ft track -12 12ft track	-BLK Black Finish		
T2 ERALUX Track T2 Compatible with Juno system-2 circuit	0001 Mini I Connector 0002 T Connector 0003 L Connector 0004 X Connector 0015 End Feed	-WHT White Finish		
H1 ERALUX Track H1 Compatible with Halo system-1 circuit		-SLV Silver Finish		
TRACK SYSTEM	Track System	Finish	PN	QTY

DIMENSIONS

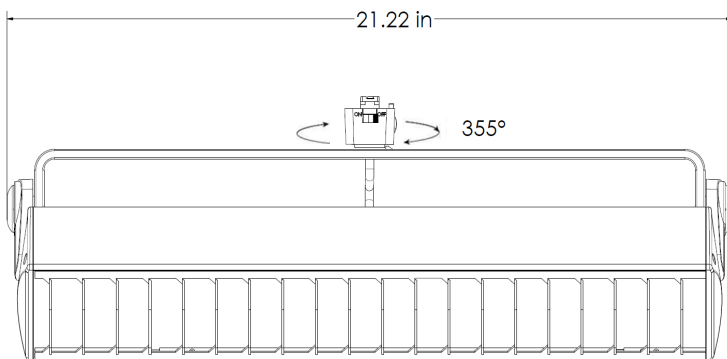
AE-TL-1FT

- Rotation up to 355°
- Tilt +/- 90°





AE-TL-2FT

- Rotation up to 355°
- Tilt +/- 90°



ACCESSORIES

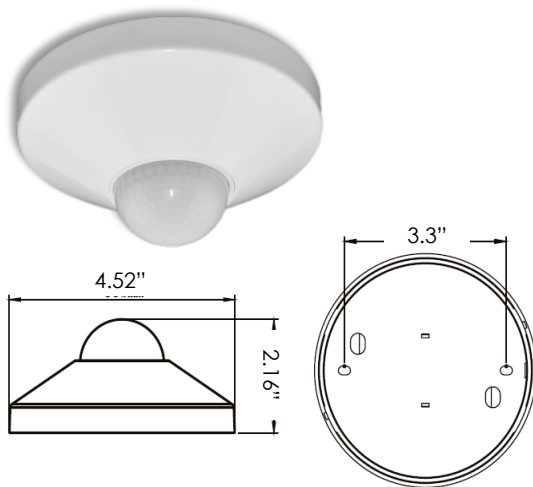
MOUNTING

ORDERING CODE		DESCRIPTION	PICTURE
T10016	-WH	Monopoint adapter Surface / wall mount Compatible with Juno system 1 Track head can be installed.	
	-BK		
T10017	-WH	Duopoint adapter Surface / wall mount Compatible with Juno system. 2 Track heads can be installed.	
	-BK		

ROOM OCCUPANCY SENSOR

Ordered separately, field installed

PART NUMBER	DESCRIPTION
AE-CT-DT806	Line Voltage Motion Sensor
RC102	RC102 Remote Control



SPECIFICATIONS		
Input Voltage	120-277 Vac	
Power Frequency	50/60HZ	
Rated Load	At 120 Vac	800W
	At 277 Vac	1200W
Detection Range	3-10 Meters	
	9.8-32.75 Feet	
Standby Power	~0.9W	
Time Setting	10 sec to 30 min	
Light Control	10-2,000LUX	
Installation	Ceiling Mounted	

DIMMER COMPATIBILITY LIST

TRIAC/ELV Dimming

Brand	Model	Brand	Model	Brand	Model
Lutron	S-603PG	Lutron	LG-600P	Cooper	SLC03P
	DVELV-303P		DVCL-153P		DLC03P
	CT-103P		MAELV-600		DAL06P
	SELV-300P	Leviton	IPI06-1LZ	Lightolier	ZP260QEW
	S-600P		6631-2		
	DV-600P		6683-IW		
	FAELV-500		IPE04		
	TGCL-153P		6161		
	TG-600P		6633-P		
		VPE06			

LUMEN ESTIMATE

Lumen output varies based on CCT and CRI. An estimate of lumen output of the various CCT/CRI combinations, use correction factors as per table below:

LUMEN ESTIMATE ADJUSTMENT FACTORS

CCT	2700K	3000K	4000K
PREMIUM (90CRI)	0.96	1	1.06

PHOTOMETRIC DATA

PART NUMBER		ZONAL LUMEN SUMMARY			POLAR LUMINOUS INTENSITY	CONE DISTRIBUTION			
AE-TL-AP1FT12FLP30X1XX		Zone	Lumens	% Fixture	Direct Light	Center Beam Fc	Beam Width		
Length	1 FT	0-20°	358.15	14.7		1.7ft	344 fc	3.9 ft	4.2 ft
Wattage	30W	0-30°	747.79	30.8		3.3ft	91.2 fc	7.5 ft	8.1 ft
CCT	3000K	0-40°	1197.8	49.3		5.0ft	39.7 fc	11.4 ft	12.3 ft
Distribution	100'	0-60°	2011.68	82.7		6.7ft	22.1 fc	15.3 ft	16.5 ft
CBCP	1900	0-80°	2387.61	98.2		8.3ft	14.4 fc	19.0 ft	20.4 ft
		0-90°	2404.37	98.9		10.0ft	9.93 fc	22.8 ft	24.6 ft
						■ Vert. Spread: 97.6° ■ Horiz. Spread: 101.7°			

PART NUMBER		ZONAL LUMEN SUMMARY			POLAR LUMINOUS INTENSITY	CONE DISTRIBUTION			
AE-TL-AP2FT12FLP30X1XX		Zone	Lumens	% Fixture	Direct Light	Center Beam Fc	Beam Width		
Length	2 FT	0-20°	358.15	14.70		1.7ft	656 fc	3.9 ft	4.2 ft
Wattage	60W	0-30°	747.79	30.80		3.3ft	174 fc	7.5 ft	8.2 ft
CCT	3000K	0-40°	1197.8	49.30		5.0ft	75.9 fc	11.4 ft	12.4 ft
Distribution	100'	0-60°	2011.68	82.70		6.7ft	42.2 fc	15.3 ft	16.6 ft
CBCP	1900	0-80°	2387.61	98.20		8.3ft	27.5 fc	19.0 ft	20.6 ft
		0-90°	2404.37	98.90		10.0ft	19 fc	22.9 ft	24.8 ft
						■ Vert. Spread: 97.7° ■ Horiz. Spread: 102.3°			

OVERVIEW



Innovative Design

- High-quality aluminum die-cast for durability and strength.
- Superior thermal heat dissipation for optimal performance.
- Dual-purpose diffuser acts as a visual shield and heat sink.



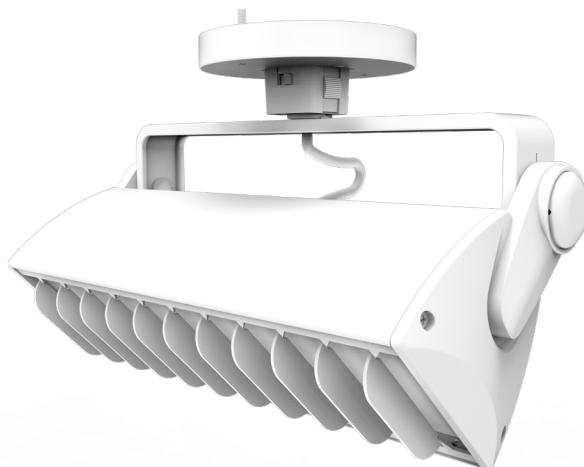
Multiple Options

- Available in 1FT and 2FT lengths providing up to 2250 or 5100 lumens
- Four CCTs available.
- Black, white, and silver finishes.



Mountings Available

- Choose from any of the popular track systems such as Juno, Halo, Lightolier, or Global.
- Surface mount with either monopoint or duopoint adapters.



Tests And Certifications



Feature

- Wall Wash lens, 100° distribution

