

APRIL

OUTDOOR LED LIGHT

Architectural Bollard | Solar Powered

April is a solar-powered LED bollard featuring a high-efficiency monocrystalline solar panel with off-grid capability. This bollard light offers a sleek, modern design, providing even and consistent illumination to enhance urban spaces with an appealing aesthetic. It is available in a single 36-inch size with a T5W light distribution. A PWM controller is included to extend its lifespan.

Applications: Garden | Orchard | Walkway | Pathway

eralux®


	DATE	QTY	ACC. QTY	TYPE
PROJECT				
PN				
ACCESSORY PN				
NOTES				

DYNAMIC MENU

Order Information	Page 2
Dimensions	Page 3
Accessories	Page 4
Photometric Data	Page 6

[Install Instruction link](#)

SPECIFICATIONS

Battery	LiFePO4
Battery Capacity	38.4 Wh
Solar Panel Power	5W
Operating Time	11hours on Normal mode 2-3 days on Intelligent mode
Total Harmonic Distortion	<20%
Charging Time	8 hours
CRI	80 CRI
CCT	<div style="display: flex; gap: 10px;"> <div style="border: 1px solid black; border-radius: 50%; width: 20px; height: 20px; background-color: #fff9c4; display: flex; align-items: center; justify-content: center;">30K</div> <div style="border: 1px solid black; border-radius: 50%; width: 20px; height: 20px; background-color: #bbdefb; display: flex; align-items: center; justify-content: center;">40K</div> <div style="border: 1px solid black; border-radius: 50%; width: 20px; height: 20px; background-color: #e1bee7; display: flex; align-items: center; justify-content: center;">50K</div> </div>
Efficacy	~105 lm/W
Power Consumption	3W
Ambient Temperature Range	0°C to 50°C
Mounting Options	Concrete anchor mount
Fixture Finish	Black 
Protection	IP66 dust and water resistance IK07 impact resistance C3 Corrosion category 2KV surge protector
Distribution	Type 5W
Height	35 inch



PRODUCT FEATURES



PRODUCT CERTIFICATIONS



SYSTEM WARRANTY

-3 YEARS for battery
-5 YEARS for other accessories

Eralux will warrant defective drivers, LEDs and boards for 5 years from the date of purchase. This warranty is valid only if the fixture is installed and used as per installation guides and specifications. If a defect is present, Eralux will send drivers and boards at no fee with a thorough replacement instructions along with instructions on the return of the defective parts back to Eralux.

LUMEN MAINTENANCE

-L70 at 271,000 hours
-L80 at 169,000 hours
-L90 at 80,000 hours

Rated for 70% initial lumen output at 50,000 hours of operation, operated at 25°C ambient temperature; per guidelines published by the Illuminating Engineering Society (IES).

OUTDOOR LED LIGHT

Architectural Bollard | Solar Powered



ORDERING GUIDE

AE-OD-AP	-3W-36		-T5W	-BK
AE-OD-AP ERALUX Outdoor Products April Solar Bollard Fixture	-3W-36 3W 340 lm 36 in height	-30-80 3000K 80 CRI -40-80 4000K 80 CRI -50-80 5000K 80 CRI	-T5W T5 wide distribution	-BK Powder Black RAL9017

Fixture Family	Power & Height	CRI & CCT	Finish	Finish
-----------------------	---------------------------	----------------------	---------------	---------------



ORDERING GUIDE - ACCESSORIES

AE-OD-AP ERALUX Outdoor Products April Solar Bollard Fixture	-ACC-HSS Optical Back Shield

Accessory Family	Accessory
-------------------------	------------------

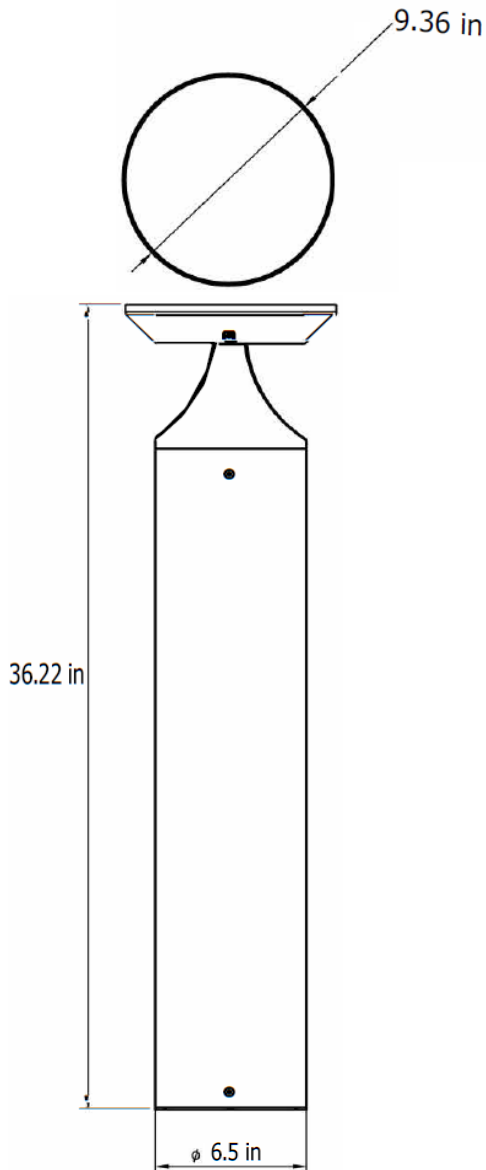
OUTDOOR LED LIGHT

Architectural Bollard | Solar Powered

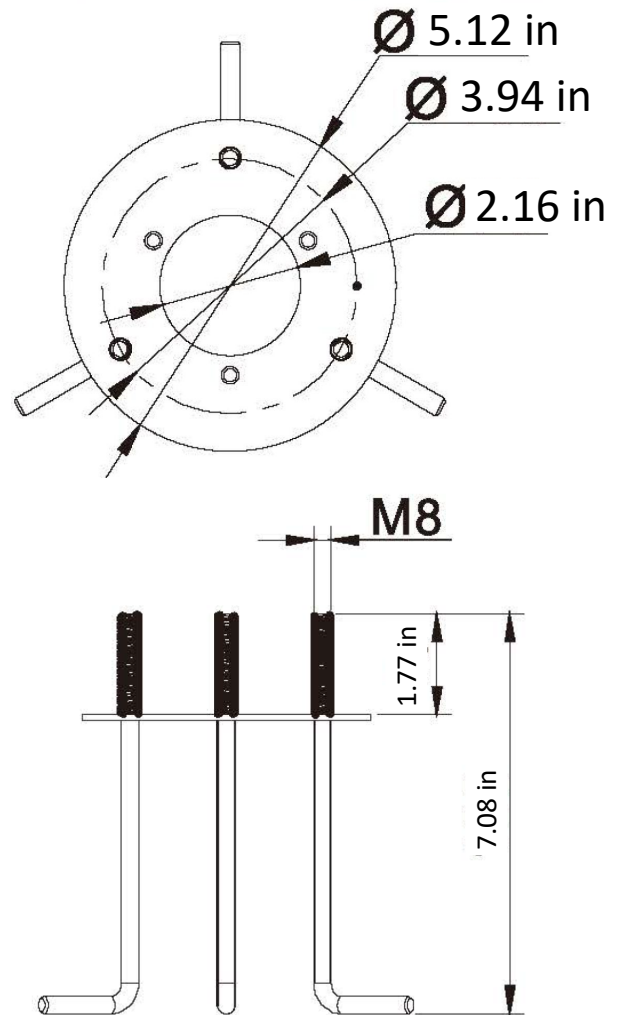
DIMENSIONS - FIXTURE

SPLINTER

BODY



BASE PLATE



ACCESSORIES

OPTICAL SHIELD		
Code	Description	Picture
AE-OD-AP-ACC-HSS	Side Shield to direct light from one face only	
AE-OD-AP-ACC-REMOTE-CONTROL	Remote control for solar LED bollard light	
AE-OD-AP-ACC-BACKFILLED-ANCHOR	Backfilled anchor for concrete	

WORKING MODE

Each bollard will be energized by the liFePo4 battery stored at the Mono-crystalline silicon solar panel that gets the energy from sun light, thus no need for wiring or any electrical installation.

This cheap and reliable energy will help reducing carbon emissions comparing to traditional light.

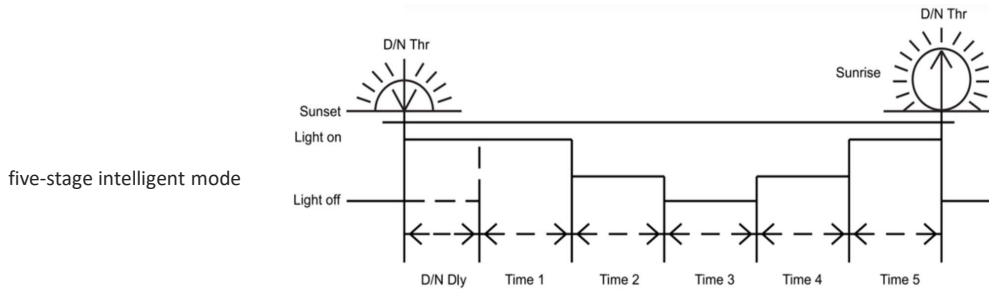
Avoid being shaded by trees and buildings.



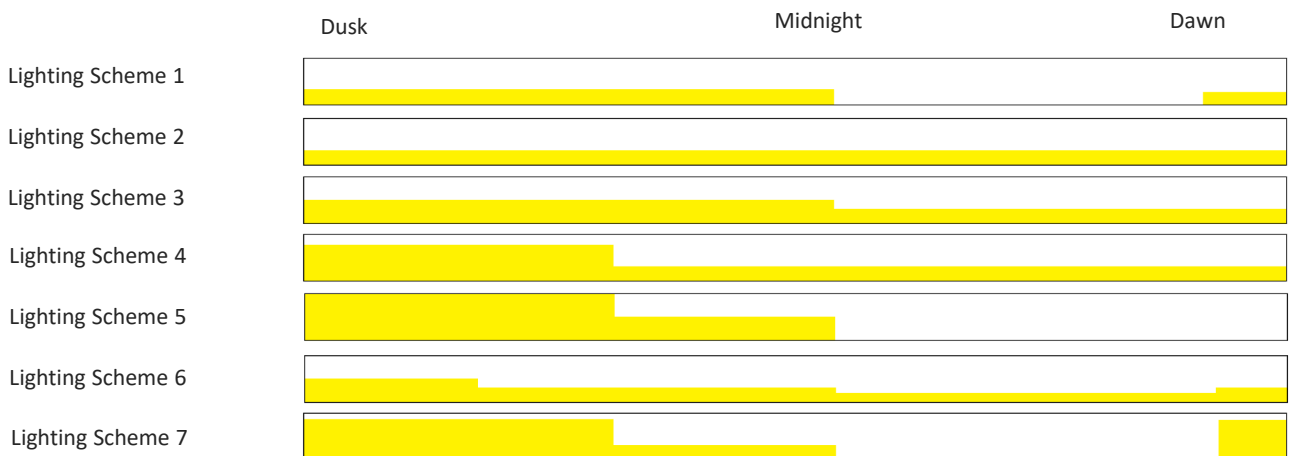
It is available with automatic activation (PWM controller) to save energy and last longer. The operating hours can be divided into five-stage intelligent mode from dusk till dawn, also the light intensity can be controlled. The operating profile can be modified using remote control which is sold separately. With this control it can operate continuously for 3-4 days with 8 hours of charging time.

OUTDOOR LED LIGHT

Architectural Bollard | Solar Powered



Lighting Scheme	Time 1	Time 2	Time 3	Time 4	Time 5	Energy consumption	Working hours in rainy days
1	6 hours 30%	0 hours	0 hours	TOT 0%	1 hour 30%	7.4WH	4-5 days
2	6 hours 30%	6 hours 30%	0 hours	0 hours	0 hours	12.6WH	3-4 days
3	6 hours 50%	6 hours 30%	0 hours	0 hours	0 hours	16.8WH	2-3 days
4	4 hours 70%	4 hours 30%	4 hours 30%	0 hours	0 hours	18.2WH	1-2 days
5	4 hours 100%	2 hours 50%	0 hours	0 hours	0 hours	17.5WH	2-3 days
6	2 hours 50%	4 hours 30%	0 hours	TOT 20%	1 hour 30%	12.3WH	3-4 days
7	4 hours 80%	2 hours 30%	0 hours	TOT 0%	1 hour 80%	16.1WH	2-3 days



Set the modes time from 1-5 using the remote control.

One of the benefits of this bollard is that you can set up a custom intelligent mode to fit your specific needs.

Be notified that the battery capacity is 38.4Wh and battery charging capacity is 24Wh /Day, we recommend that the battery energy consumption should be less than or equal to 20Wh /Day

OUTDOOR LED LIGHT

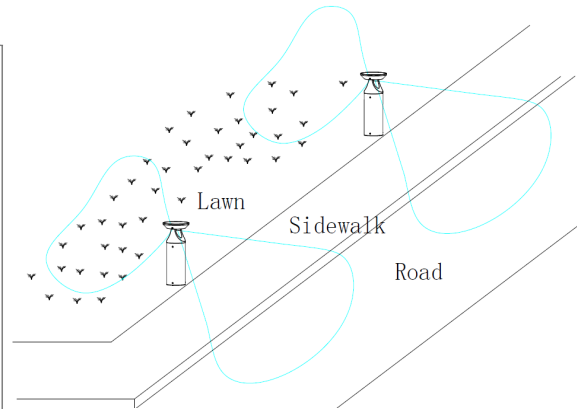
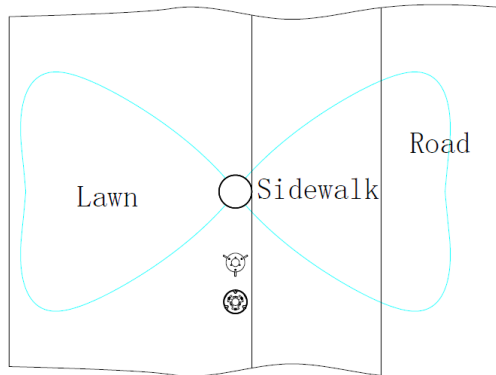
Architectural Bollard | Solar Powered

PHOTOMETRIC DATA

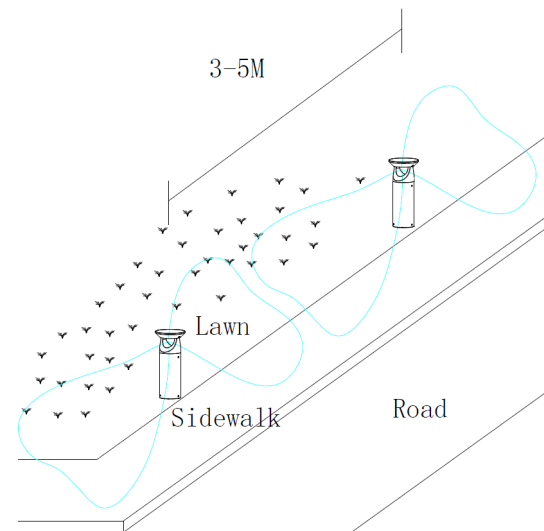
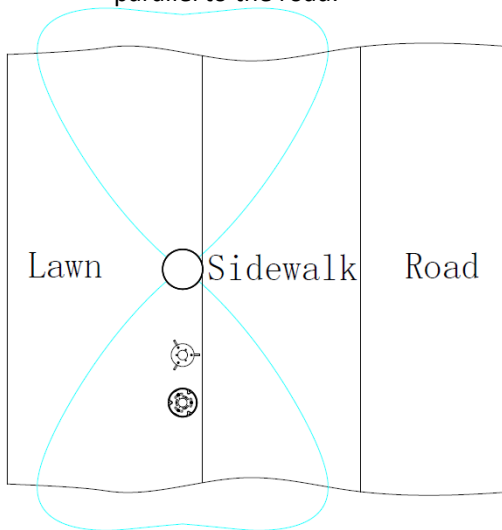
PART NUMBER		ZONAL LUMEN SUMMARY			POLAR LUMINOUS INTENSITY	ISO FOOTCANDLE PLOT
AE-OD-AP-3W-XX-40-80-T5W-BK		Zone	Lumens	% Fixture	T5	Distance in units of mounting height (3 ft)
Wattage	3W	0-20°	0.24	0.1		
CCT	4000K	0-30°	4.03	1.2		
Distribution	T5W	0-40°	20.64	5.9		
		0-60°	139.33	40.1		
		0-80°	335.02	96.3		
		0-90°	345.67	99.4		

DISTRIBUTION

Type 5 distribution light is perpendicular to the road.



Type 5 distribution light is parallel to the road.



OUTDOOR LED LIGHT

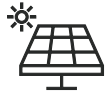
Architectural Bollard | Solar Powered

OVERVIEW



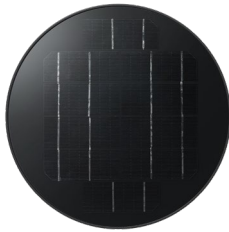
Innovative Design

- Aluminum die cast housing and fins for better heat dissipation and UV/weather resistant finish.



Solar Powered

- Auto-sufficient solar powered bollard with intelligent lighting scheme to save energy.



Multiple Options

- 3 different CCTs
- 7 different lighting scheme for power saving



Mountings Available

- Concrete anchor mount



Protection

- Protected against dust ingress.
- Protected against water jets
- Impact resistant
- 2KV surge protector



Accessories

- Side shield

