

# AQX SLIM

## LINEAR FIXTURES

Linear Architectural Lighting



Our AQXS Linear is IP65 rated/ Not fully exposed outdoors. It can be surface mounted or suspended ; stand alone or continuous. Maintains high efficiency at 90CRI. The best option for pools, subway entrance or even train platforms.

eralux®



DATE	
PROJECT NAME	
TYPE	
QTY	
ORDERING CODE	AE-SF-AQXS - - - -S - -

### OPERATING & ELECTRICAL

INPUT VOLTAGE	120-277V
POWER FACTOR	0.9
DIMMING	0-10V
TOTAL HARMONIC DISTORTION(THD)	<20%

### PERFORMANCE

LUMENS PER WATT	85-90 LPW at 90CRI
POWER CONSUMPTION	31W 46W 61W
BEAM ANGLE	108°

### MECHANICAL & HOUSING

HOUSING	Die casting aluminum for increased rigidity and strength
LENS	Highly durable polycarbonate and high transmittance lens
FINISH	Black, White
POWER SUPPLY	Factory wired electronic LED driver
LED BOARD	LED Array

### APPLICATION CONDITION

AMBIENT TEMPERATURE RANGE	10 °C to 35°C
STORAGE TEMPERATURE	-40°C to 60°C

### COMPATIBLE MOUNTING

MOUNTING SUSPENDED  
SURFACE MOUNT

### WARRANTY

#### SYSTEM WARRANTY – 5 YEARS

Eralux will warrant defective drivers, LEDs and boards for 5 years from the date of purchase. This warranty is valid only if the fixture is installed and used as per installation guides and specifications. If a defect is present, Eralux will send drivers and boards at no fee with a thorough replacement instructions along with instructions on the return of the defective parts back to Eralux.

#### LUMEN MAINTENANCE – L80 at 50,000 hours

Rated for 80% initial lumen output at 50,000 hours of operation, operated at 25°C ambient temperature; per guidelines published by the Illuminating Engineering Society (IES)

DATE	
PROJECT NAME	
<b>TYPE</b>	
QTY	
ORDERING CODE	AE-SF-AQXS - - - -S - -

**ORDERING GUIDE**

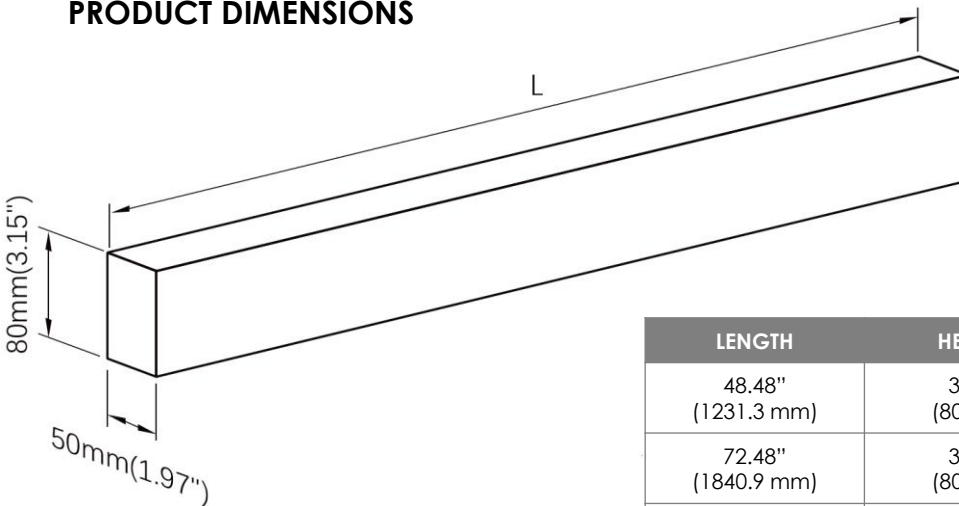
EXAMPLE: AE-TL-AQXS-431-30-S-WH-AIR

FIXTURE FAMILY	LENGTH	POWER	CCT	POWER CORD	FINISH	MOUNTING OPTIONS
<b>AE-SF-AQXS-</b>		-	-	<b>-S</b>	-	
<b>AE-SF-AQXS</b> AQX ARCHITECTURAL LINEAR	<b>4</b> 4 Feet Linear Fixture	<b>31</b> 31W: 2936lms @ 4000k	<b>30</b> 3000K CCT	<b>S</b> POWER CORD COMES WITH THE FIXTURE BY DEFAULT	<b>WH</b> WHITE FINISH	<b>-AIR**</b> Suspended Linear
	<b>6</b> 6 Feet Linear Fixture	<b>46</b> 46W: 4404lms @ 4000k	<b>35</b> 3500K CCT		<b>BK</b> BLACK FINISH	<b>-SMT</b> Surface Mount
	<b>8</b> 8 Feet Linear Fixture	<b>61</b> 61W: 5872lms @ 4000k	<b>40</b> 4000K CCT		<b>SV</b> SILVER FINISH	<b>-AIR-LINK**</b> Suspended Linear Continuous
						<b>-SMT-LINK</b> Surface Mount Continuous

\*AIR comes with 2 canopy KITS ( with and without power feed hole).

\*\*AIR -LINK comes with 1 canopy KITS (without power feed hole), mechanical connection and electrical one for continuous runs.




**PRODUCT DIMENSIONS**



LENGTH	HEIGHT	WIDTH
48.48" (1231.3 mm)	3.15" (80 mm)	1.97" (50 mm)
72.48" (1840.9 mm)	3.15" (80 mm)	1.97" (50 mm)
96.48" (2450.59 mm)	3.15" (80 mm)	1.97" (50 mm)

DATE	
PROJECT NAME	
<b>TYPE</b>	
QTY	
ORDERING CODE	AE-SF-AQXS - - - -S - -

**ACCESSORIES**

ORDERING CODE	DESCRIPTION	PICTURE
AE-SF-AQXS-L-PTB-PF2-6-D	Suspension Mount Kit Canopy with 2 holes Suspension wire	
AE-SF-AQXS-L-PTB-NPF-6-D	Suspension Mount Kit Canopy with 1 hole Suspension wire	
AE-SF-AQXS-SMK	Surface Mount Kit	
AE-SF-AQXS-BV-MV20-5	5-Pin Dimmable waterproof cable connector	
AE-SF-AQXS-L-CH-IP12-5	4FT 5-PIN Connection Cable for Continuous Runs	
AE-SF-AQXS-L-CH-IP18-5	6FT 5-PIN Connection Cable for Continuous Runs	
AE-SF-AQXS-L-CH-IP24-5	8FT 5-PIN Connection Cable for Continuous Runs	
AE-SF-AQXS-LINK	Linkable Metal Accessory For Continuous Runs	

DATE	
PROJECT NAME	
TYPE	
QTY	
ORDERING CODE	AE-SF-AQXS - - - -S - -

**ACCESSORIES (Continued)**

Ordered separately, field installed

**EMERGENCY LED DRIVER (BLD-YTXXD-XXX)**

BLD-YT08D-XXX

OUTPUT POWER : 8 WATTS

BLD-YT15D-XXX

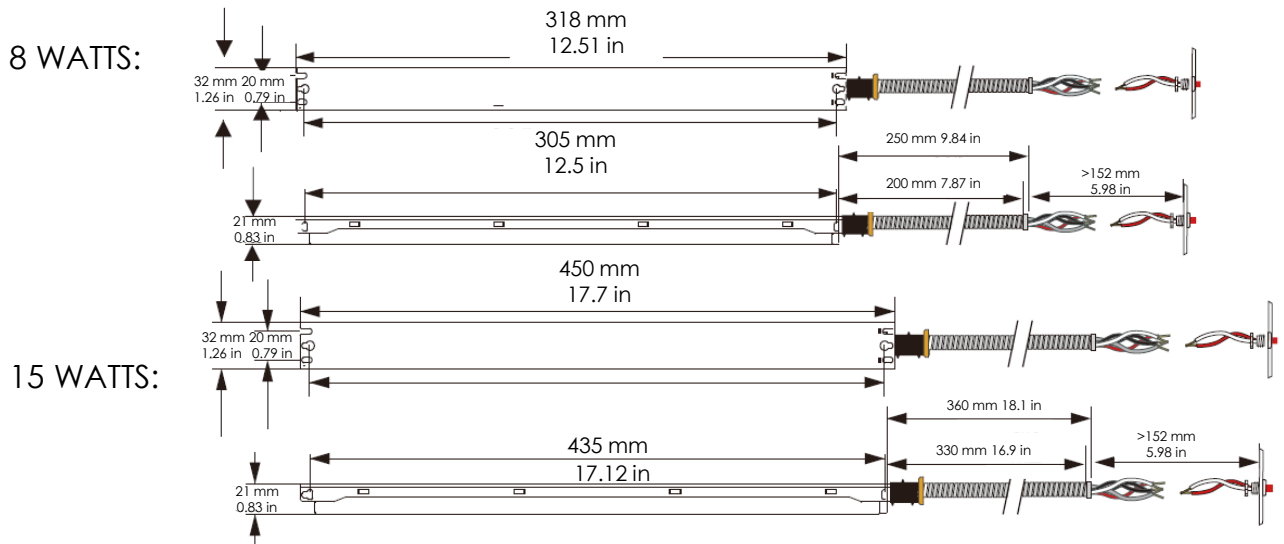
OUTPUT POWER : 15 WATTS



- Easy Wiring
- Certified For CA Title 20
- Constant Power Performance

BLD-YTXXD-XXX LED Emergency Driver is UL listed for field and factory installation that allows the same LED fixture to be used for both normal and emergency operation. In the event of a power failure, the emergency driver switches to emergency mode and operates the fixture for 90 minutes. This module will operate a LED array load at 8W or 15W with constant power at a rated output voltage of 30-60 VDC. The constant power design of BLD-YTXXD-XXX maintains the output wattage to the LED array, providing consistent illumination for the entire emergency runtime. Its slim shape is ideal for use in linear LED lighting fixtures.

**DIMENSIONS (inches and mm)**



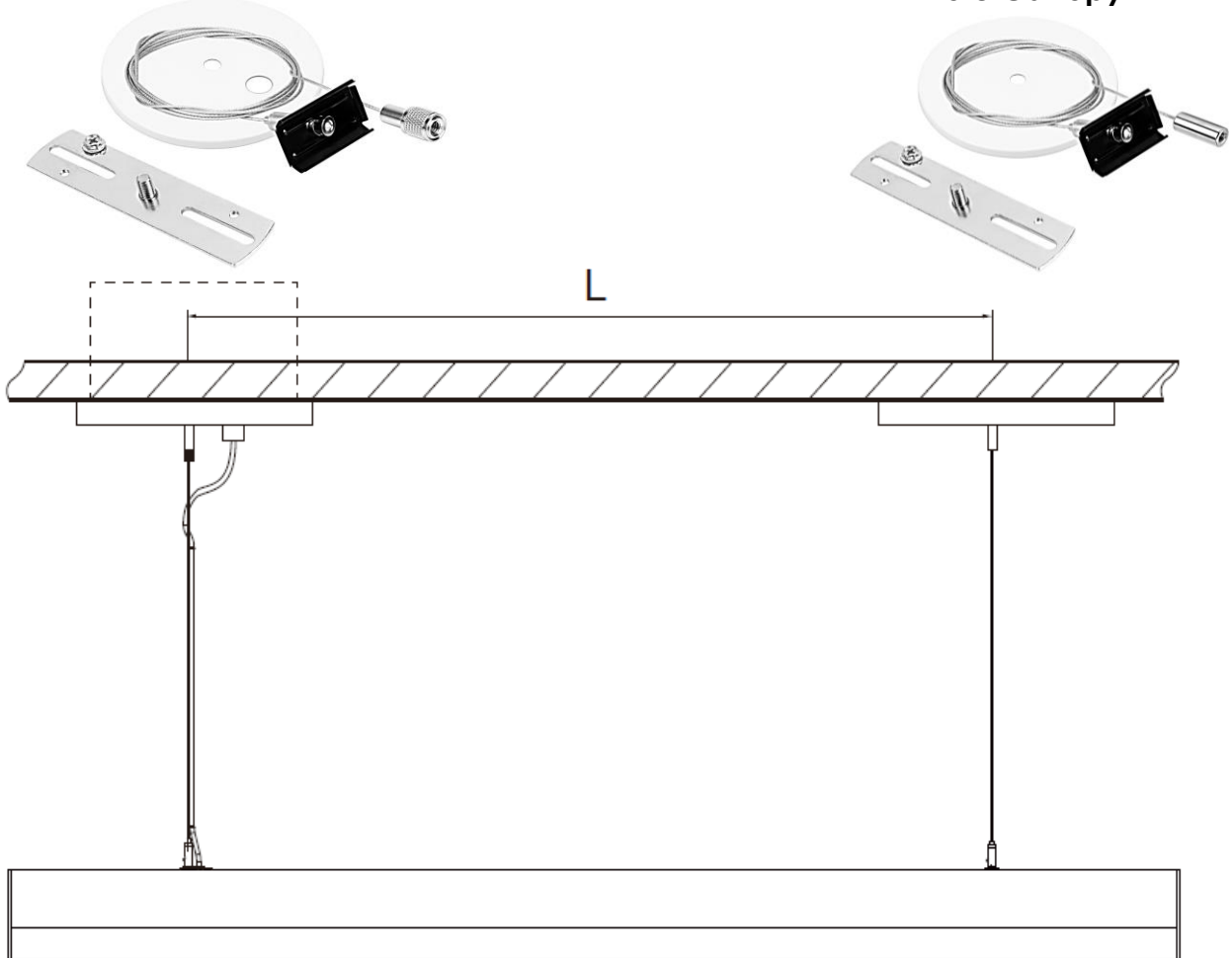
DATE	
PROJECT NAME	
<b>TYPE</b>	
QTY	
ORDERING CODE	AE-SF-AQXS - - - -S - -

**MOUNTING OPTIONS**

DRILLING PATTERN FOR SUSPENDED MOUNT-SUSPENSION

**2 Hole Canopy**

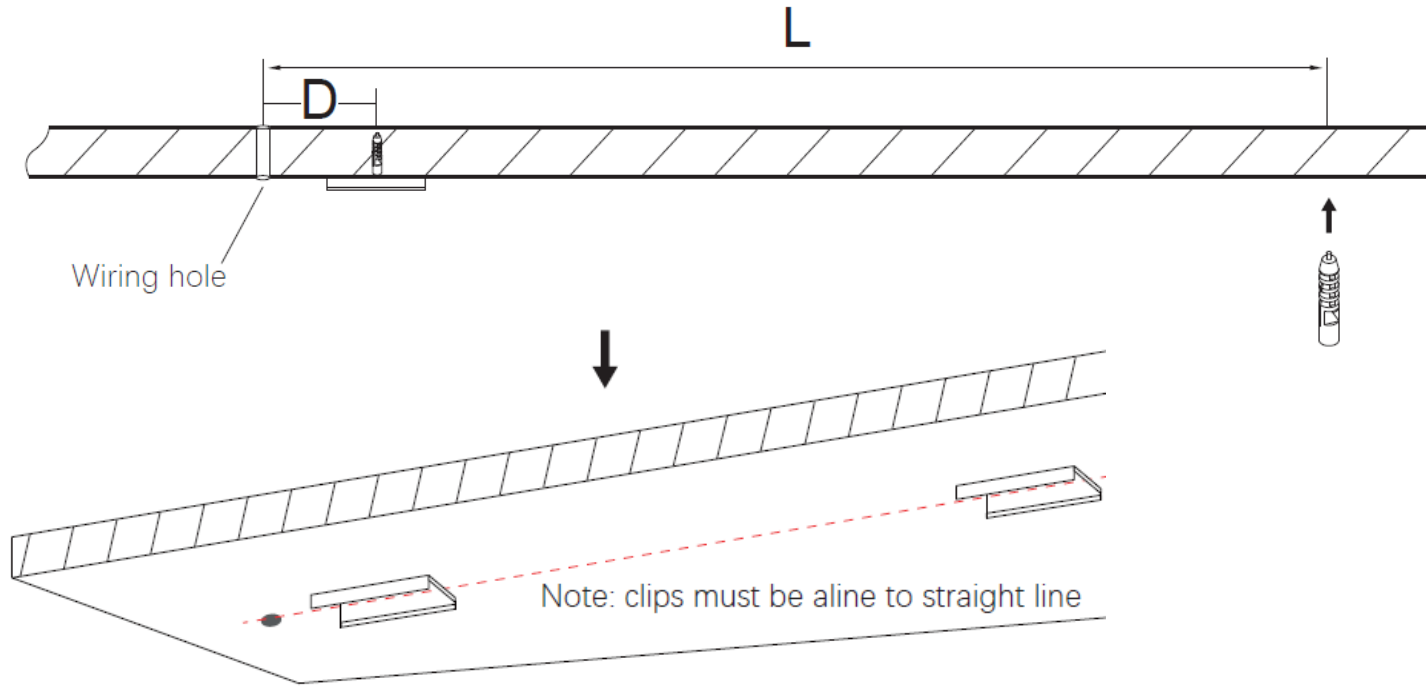
**1 Hole Canopy**



FIXTURE	1230mm (48.42")	1841mm (72.40)	2449mm (96.41)
L	932mm±10mm (36.69" ±0.39")	1342mm±10mm (52.53" ±0.39")	2000mm±10mm (78.74±0.39")

DATE	
PROJECT NAME	
<b>TYPE</b>	
QTY	
ORDERING CODE	AE-SF-AQXS - - - -S - -

**SURFACE MOUNT INSTALLATION**

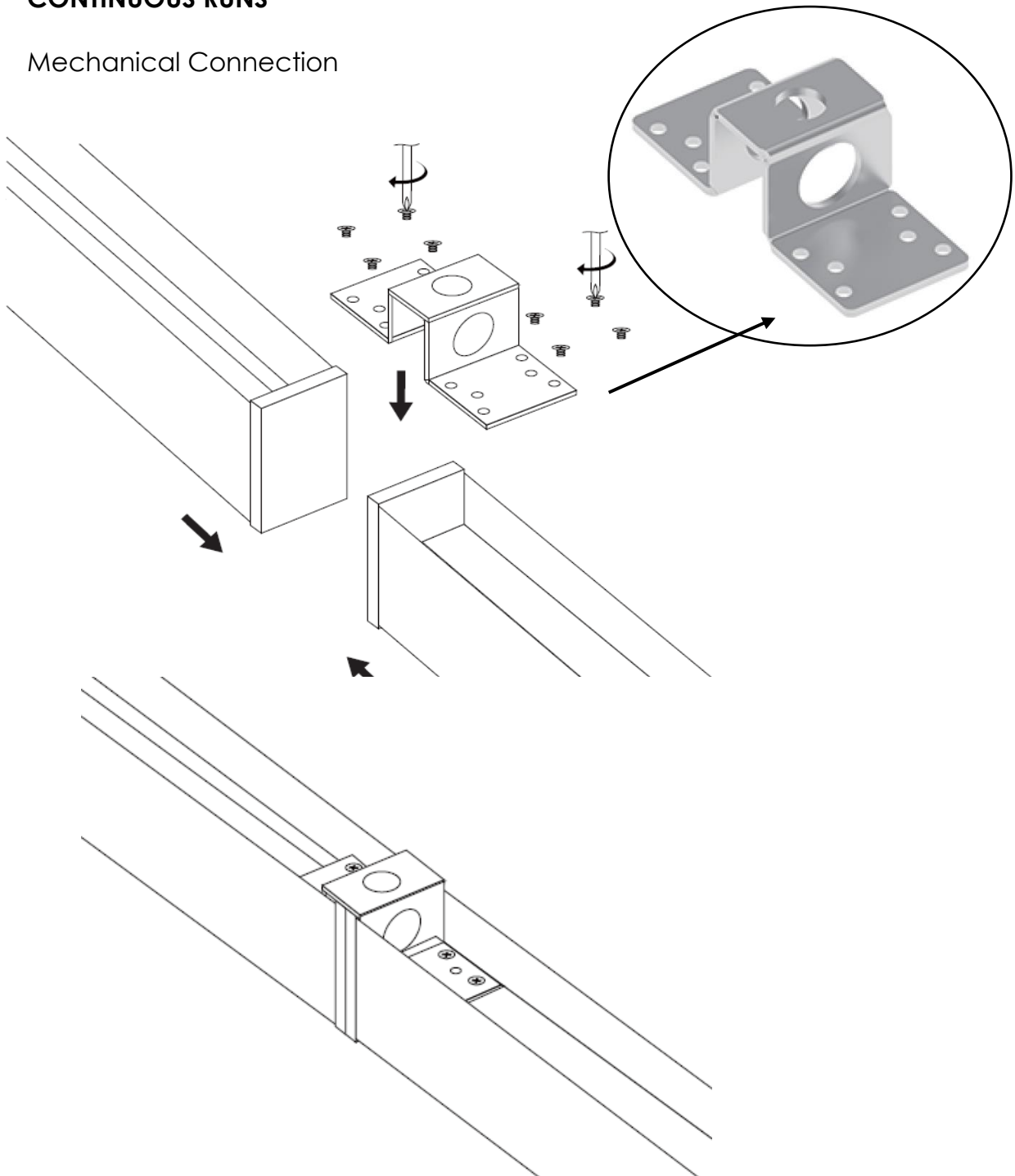


FIXTURE	1230mm (48.42")	1841mm (72.40)	2449mm (96.41)
L	932mm±10mm (36.69" ±0.39")	1342mm±10mm (52.53" ±0.39")	2000mm±10mm (78.74±0.39")
D	50mm±5mm (1.96" ±0.0196")		

DATE	
PROJECT NAME	
<b>TYPE</b>	
QTY	
ORDERING CODE	AE-SF-AQXS - - - -S - -

## CONTINUOUS RUNS

### Mechanical Connection

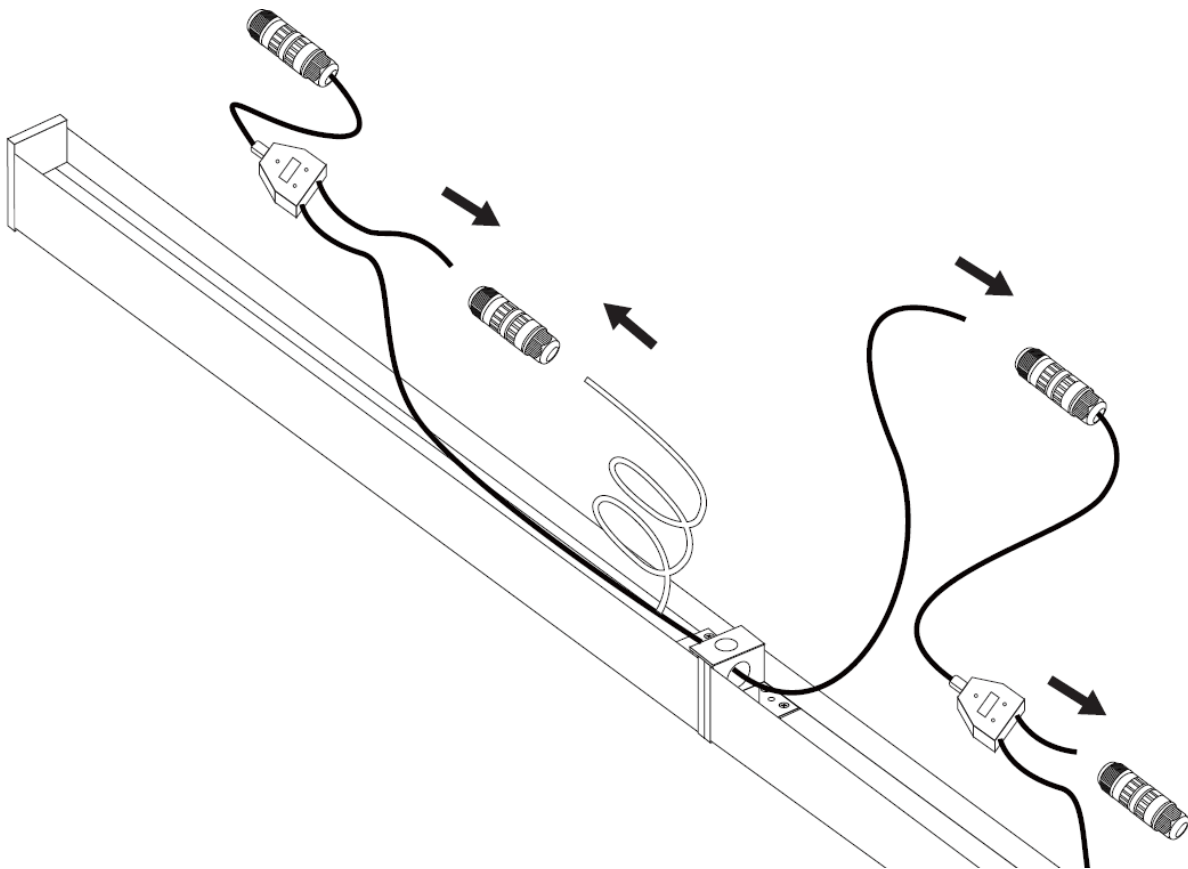


DATE	
PROJECT NAME	
<b>TYPE</b>	
QTY	
ORDERING CODE	AE-SF-AQXS - - - -S - -

## CONTINUOUS RUNS

### Electrical Connection

AC Input



### Components



5-PIN waterproof connection cable (current  $\leq 6A$ )



5-PIN waterproof cable connector



DATE	
PROJECT NAME	
<b>TYPE</b>	
QTY	
ORDERING CODE	AE-SF-AQXS - - - -S - -

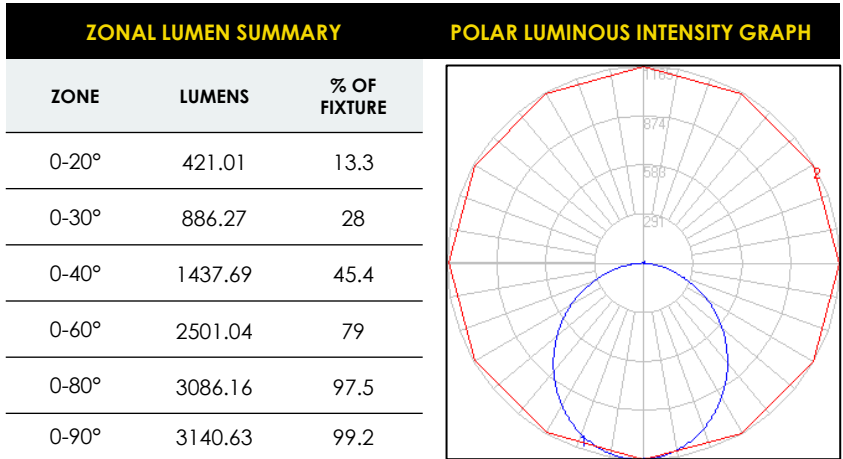
## LUMEN ESTIMATE

Lumen output varies based on CCT and CRI. An estimate of lumen output of the various CCT/CRI combinations, use correction factors as per table below:

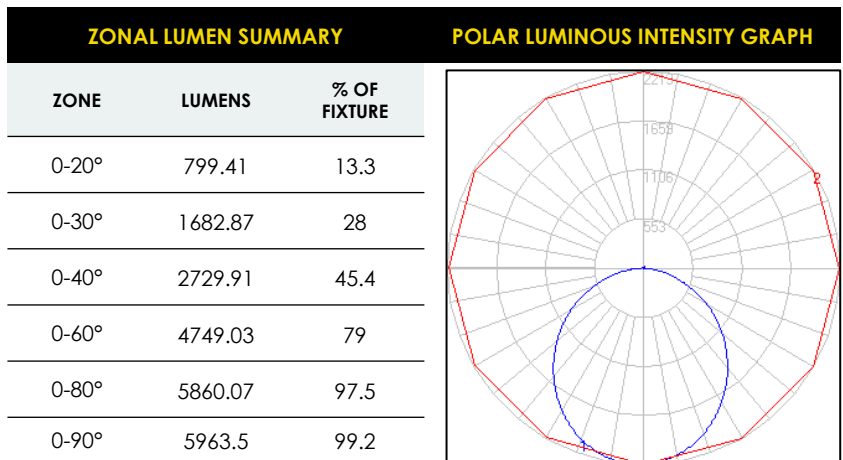
LUMEN ESTIMATE ADJUSTMENT FACTORS			
CCT	3000K	3500K	4000K
PREMIUM (90CRI)	1	1.03	1.06

## PHOTOMETRIC DATA

AE-TL-AQXS-4-31-40-D-XX-XX  
 31W  
 4000K CCT

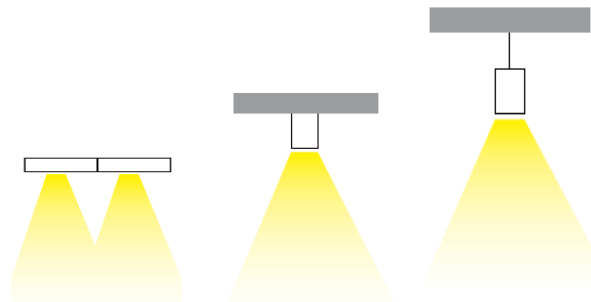


AE-TL-AQXS-8-61-40-D-XX-XX  
 61W  
 4000K CCT



DATE	
PROJECT NAME	
<b>TYPE</b>	
QTY	
ORDERING CODE	AE-SF-AQXS - - - -S - -

## OVERVIEW



### MOUNTING OPTIONS

AQX linear has various mounting options; surface / suspended mount and continuous runs are achievable.

### PROTECTION

IP65 rated ( **NOT FULLY EXPOSED OUTDOORS**).

### PREMIUM DESIGN & MATERIALS

Aluminum die cast housing for superior thermal heat dissipation, strength, and rigidity. Integrated fin heat dissipation structure built into the fixture's housing provides long lasting LED and driver function.

### FINISH

Standard ERALUX finish provides an elegant look to the fixture's housing. It comes in Black/White/Silver.