

# ARTEMIS

## TRACK LED LIGHT

### Cylinder Track Head | 1.2" Aperture | Adjustable distribution

The ARTEMIS features a sleek horizontal driver enclosure and an innovative track head allowing users to easily adjust the focus of the optics to meet needs. With a power output of 15W, it offers a variable beam angle ranging from 20° to 50°. It can be chosen from elegant black, white, or silver finishes to create a desired look. Can be mounted on a track or on surface.

Applications: Art Galleries | Show Rooms | Retail Stores | Hospitality.

	DATE	QTY	ACC. QTY	TYPE
PROJECT				
PN				
ACCESSORY PN				
NOTES				

### DYNAMIC MENU

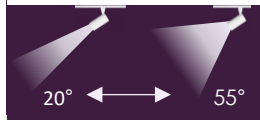
Order Information	<a href="#">Page 2</a>
Dimensions	<a href="#">Page 3</a>
Accessories	<a href="#">Page 3</a>
Photometric Data	<a href="#">Page 5</a>

[Install Instruction link](#)

### SPECIFICATIONS

Input Voltage	120V
Power Factor	>0.9
Total Harmonic Distortion	<20%
Dimming <a href="#">Page 4</a>	TRIAC dimming
CRI	90 CRI
CCT	<div style="display: flex; gap: 10px;"> <div style="border: 1px solid black; border-radius: 50%; width: 20px; height: 20px; background-color: #fff9c4; display: flex; align-items: center; justify-content: center;">27K</div> <div style="border: 1px solid black; border-radius: 50%; width: 20px; height: 20px; background-color: #fff176; display: flex; align-items: center; justify-content: center;">30K</div> <div style="border: 1px solid black; border-radius: 50%; width: 20px; height: 20px; background-color: #e0e0e0; display: flex; align-items: center; justify-content: center;">35K</div> <div style="border: 1px solid black; border-radius: 50%; width: 20px; height: 20px; background-color: #bbdefb; display: flex; align-items: center; justify-content: center;">40K</div> </div>
Efficacy	~69 lm/W
Power	15 W
Ambient Temperature Range	-10°C to 35°C
Mounting Adapter	Juno   Global   Halo   Lightolier
Mounting Options	Track System   Monopoint
Fixture Finish	Black   White   Silver

#### Distribution



### PRODUCT CERTIFICATIONS



### SYSTEM WARRANTY – 5 YEARS

Eralux will warrant defective drivers, LEDs and boards for 5 years from the date of purchase. This warranty is valid only if the fixture is installed and used as per installation guides and specifications. If a defect is present, Eralux will send drivers and boards at no fee with a thorough replacement instructions along with instructions on the return of the defective parts back to Eralux.

### LUMEN MAINTENANCE – L70 at 50,000 hours

Rated for 70% initial lumen output at 50,000 hours of operation, operated at 25°C ambient temperature; per guidelines published by the Illuminating Engineering Society (IES).

## TRACK LED LIGHT

Cylinder Track Head | 1.2" Aperture | Adjustable distribution



### ORDERING GUIDE

<b>AE-TL-AT</b>	<b>12</b>	<b>VA</b>				
<b>AE-TL-AT</b> ERALUX Artemis Track Head	<b>12</b> 120V	<b>VA</b> Variable 20° to 55°	<b>P</b> Premium 90 CRI <b>S<sup>1</sup></b> Superior HIGH-GAI	<b>27</b> 2700K <b>30</b> 3000K <b>35</b> 3500K <b>40</b> 4000K	<b>J1</b> Juno <b>G1</b> Global <b>H1</b> Halo <b>L1</b> Lightolier	<b>BK</b> Black powder coat <b>WH</b> White powder coat <b>SV</b> Silver powder Coat

<b>Fixture Family</b>	<b>Wattage</b>	<b>Distribution</b>	<b>CRI</b>	<b>CCT</b>	<b>Adapter</b>	<b>Finish</b>
-----------------------	----------------	---------------------	------------	------------	----------------	---------------

1. Available only at 3000K & 3500K



### ORDERING GUIDE - ACCESSORIES

Ordered separately

<b>T10016</b> Monopoint Mounting	<b>BK</b> Black
<b>T10017</b> Duopoint Mounting	<b>WH</b> White
<b>Mounting</b>	<b>Finish</b>

### ORDERING GUIDE - TRACK SYSTEM

Track system and components are ordered with the track head if needed.  
Refer to the links below for more information.

**T1**  
ERALUX Track T1  
Compatible with Juno system-1 circuit

**T2**  
ERALUX Track T2  
Compatible with Juno system-2 circuit

**H1**  
ERALUX Track H1  
Compatible with Halo system-1 circuit

- 2** 2ft track
- 4** 4ft track
- 6** 6ft track
- 8** 8ft track
- 12** 12ft track
- 0001** Mini I Connector
- 0002** T Connector
- 0003** L Connector
- 0004** X Connector
- 0015** End Feed

**-BK**  
Black Finish

**-WH**  
White Finish


<b>Track System</b>	<b>Components</b>	<b>Finish</b>	<b>PN</b>	<b>QTY</b>
---------------------	-------------------	---------------	-----------	------------

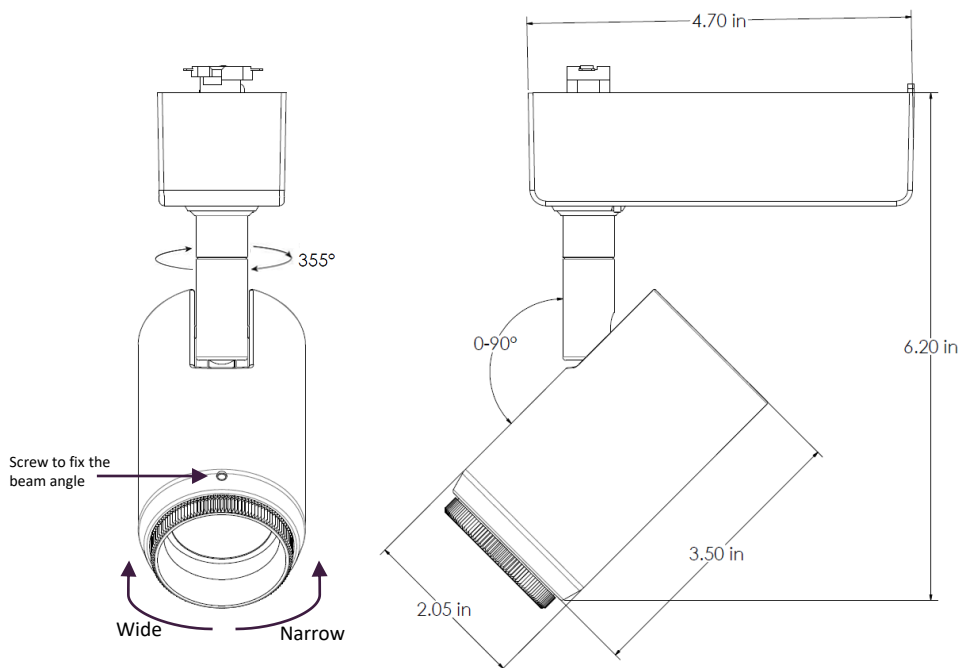
## TRACK LED LIGHT

Cylinder Track Head | 1.2" Aperture | Adjustable distribution

### DIMENSIONS

AE-TL-AT12VA

- Rotation up to 355°
- Tilt +/- 90°



### ACCESSORIES

#### MOUNTING

ORDERING CODE		DESCRIPTION	PICTURE
T10016	-WH	Monopoint adapter Surface / wall mount Compatible with Juno system 1 Track head can be installed.	
	-BK		
T10017	-WH	Duopoint adapter Surface / wall mount Compatible with Juno system. 2 Track heads can be installed.	
	-BK		

## TRACK LED LIGHT

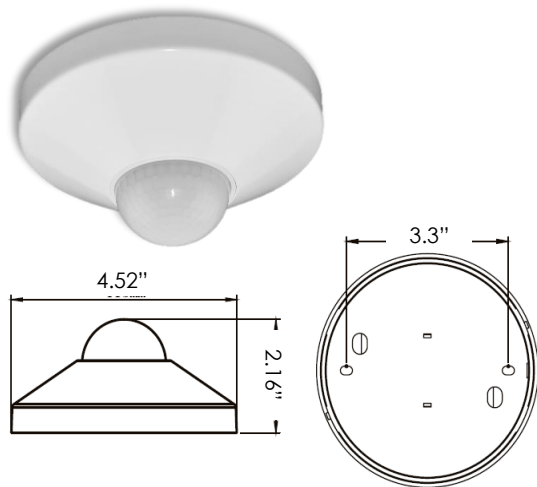
Cylinder Track Head | 1.2" Aperture | Adjustable distribution

### ROOM OCCUPANCY SENSOR

Ordered separately, field installed

PART NUMBER	DESCRIPTION
AE-CT-DT806	Line Voltage Motion Sensor
RC100	RC102 Remote Control

SPECIFICATIONS		
<b>Input Voltage</b>	120-277 Vac	
<b>Power Frequency</b>	50/60HZ	
<b>Rated Load</b>	At 120 Vac	800W
	At 277 Vac	1200W
<b>Detection Range</b>	3-10 Meters	
	9.8-32.75 Feet	
<b>Standby Power</b>	~0.9W	
<b>Time Setting</b>	10 sec to 30 min	
<b>Light Control</b>	10-2,000LUX	
<b>Installation</b>	Ceiling Mounted	



### DIMMER COMPATIBILITY LIST

TRIAC/ELV Dimming

Brand	Model	Brand	Model
Leviton	6602-X	Lutron	SLV-600X
	6681-X		S2-LX
	6683-X		GL-600H
	6684-X		NFTU-5A
	700-X		DVLV-600P
	705-X	Cooper	9530XXX
	6633	Lightolier	MP600X
	6674	Advance	SR150LED120
	IPI06-1LZ		

## TRACK LED LIGHT

Cylinder Track Head | 1.2" Aperture | Adjustable distribution

### LUMEN ESTIMATE

Lumen output varies based on CCT and CRI. An estimate of lumen output of the various CCT/CRI combinations, use correction factors as per table below:

#### LUMEN ESTIMATE ADJUSTMENT FACTORS

CCT	2800K	3000K	3500K	4000K
PREMIUM (90CRI)	0.96	1	1.06	1.06

### PHOTOMETRIC DATA

PART NUMBER		ZONAL LUMEN SUMMARY			POLAR LUMINOUS INTENSITY	CONE DISTRIBUTION			
AE-CDM-12HNFP30XXJ1BK		Zone	Lumens	% Fixture	Direct Light	Center Beam Fc	Beam Width		
Wattage	15W	0-20°	661.23	74.5		1.7ft	1554 fc	0.7 ft	0.7 ft
CCT	3000K	0-30°	778.27	87.7		3.3ft	412 fc	1.4 ft	1.4 ft
Distribution	20°	0-40°	820.12	92.4		5.0ft	180 fc	2.2 ft	2.2 ft
		0-60°	848.36	95.6		6.7ft	100 fc	2.9 ft	2.9 ft
		0-80°	860.75	97		8.3ft	65.2 fc	3.6 ft	3.6 ft
		0-90°	864.69	97.5		10.0ft	44.9 fc	4.3 ft	4.3 ft
						■ Vert. Spread: 24.3° ■ Horiz. Spread: 24.4°			

PART NUMBER		ZONAL LUMEN SUMMARY			POLAR LUMINOUS INTENSITY	CONE DISTRIBUTION			
AE-CDM-12HFLP30XXXXXX		Zone	Lumens	% Fixture	Direct Light	Center Beam Fc	Beam Width		
Wattage	15W	0-20°	439.09	43.6		1.7ft	500 fc	1.4 ft	1.4 ft
CCT	3000K	0-30°	722.41	71.7		3.3ft	133 fc	2.7 ft	2.8 ft
Distribution	50°	0-40°	893.08	88.6		5.0ft	57.8 fc	4.1 ft	4.2 ft
		0-60°	966.74	95.9		6.7ft	32.2 fc	5.6 ft	5.6 ft
		0-80°	980.93	97.3		8.3ft	21 fc	6.9 ft	7.0 ft
		0-90°	985.53	97.8		10.0ft	14.4 fc	8.3 ft	8.4 ft
						■ Vert. Spread: 45.1° ■ Horiz. Spread: 45.7°			

## TRACK LED LIGHT

Cylinder Track Head | 1.2" Aperture | Adjustable distribution

### OVERVIEW



#### Innovative Design

- Die cast Aluminum housing for better heat dissipation.
- Improved design extends LED and driver lifespan.



#### Mountings Available

- Choose from any of the popular track systems such as Juno, Halo, Lightolier, or Global.
- Surface mount with either monopoint or duopoint adapters.



#### Multiple Options

- Four CCTs available to choose from.
- Black, white, and silver finishes.
- Adjustable beam angle ranging from 20° to 50°



#### Tests And Certifications

