

ARTEMIS

TRACK LED LIGHT

Cylinder Track Head | 1.2" Aperture | Adjustable distribution

The ARTEMIS features a sleek horizontal driver enclosure and an innovative track head allowing users to easily adjust the focus of the optics to meet needs. With a power output of 15W, it offers a variable beam angle ranging from 20° to 50°. It can be chosen from elegant black, white, or silver finishes to create a desired look. Can be mounted on a track or on surface.

Applications: Art Galleries | Show Rooms | Retail Stores | Hospitality.

	DATE	QTY	ACC. QTY	TYPE
PROJECT				
PN				
ACCESSORY PN				
NOTES				

DYNAMIC MENU

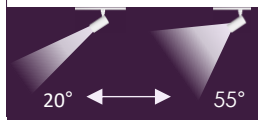
Order Information	Page 2
Dimensions	Page 3
Accessories	Page 3
Photometric Data	Page 5

[Install Instruction link](#)

SPECIFICATIONS

Input Voltage	120V
Power Factor	>0.9
Total Harmonic Distortion	<20%
Dimming Page 4	TRIAC dimming
CRI	90 CRI
CCT	<div style="display: flex; gap: 10px;"> 27K 30K 35K 40K </div>
Efficacy	~69 lm/W
Power	15 W
Ambient Temperature Range	-10°C to 35°C
Mounting Adapter	Juno Global Halo Lightolier
Mounting Options	Track System Monopoint
Fixture Finish	Black White Silver

Distribution



PRODUCT CERTIFICATIONS



SYSTEM WARRANTY – 5 YEARS

Eralux will warrant defective drivers, LEDs and boards for 5 years from the date of purchase. This warranty is valid only if the fixture is installed and used as per installation guides and specifications. If a defect is present, Eralux will send drivers and boards at no fee with a thorough replacement instructions along with instructions on the return of the defective parts back to Eralux.

LUMEN MAINTENANCE – L70 at 50,000 hours

Rated for 70% initial lumen output at 50,000 hours of operation, operated at 25°C ambient temperature; per guidelines published by the Illuminating Engineering Society (IES).

TRACK LED LIGHT

Cylinder Track Head | 1.2" Aperture | Adjustable distribution



ORDERING GUIDE

AE-TL-AT	12	VA				
AE-TL-AT ERALUX Artemis Track Head	12 120V	VA Variable 20° to 55°	P Premium 90 CRI S¹ Superior HIGH-GAI	27 2700K 30 3000K 35 3500K 40 4000K	J1 Juno G1 Global H1 Halo L1 Lightolier	BK Black powder coat WH White powder coat SV Silver powder Coat

Fixture Family	Wattage	Distribution	CRI	CCT	Adapter	Finish
-----------------------	----------------	---------------------	------------	------------	----------------	---------------

1. Available only at 3000K & 3500K



ORDERING GUIDE - ACCESSORIES

Ordered separately

T10016 Monopoint Mounting	BK Black
T10017 Duopoint Mounting	WH White
Mounting	Finish

ORDERING GUIDE - TRACK SYSTEM

Track system and components are ordered with the track head if needed.
Refer to the links below for more information.

T1
ERALUX Track T1
Compatible with Juno system-1 circuit

T2
ERALUX Track T2
Compatible with Juno system-2 circuit

H1
ERALUX Track H1
Compatible with Halo system-1 circuit

-2 2ft track
-4 4ft track
-6 6ft track
-8 8ft track
-12 12ft track
0001 Mini I Connector
0002 T Connector
0003 L Connector
0004 X Connector
0015 End Feed

-BK
Black Finish

-WH
White Finish

Track System	Components	Finish	PN	QTY
---------------------	-------------------	---------------	-----------	------------

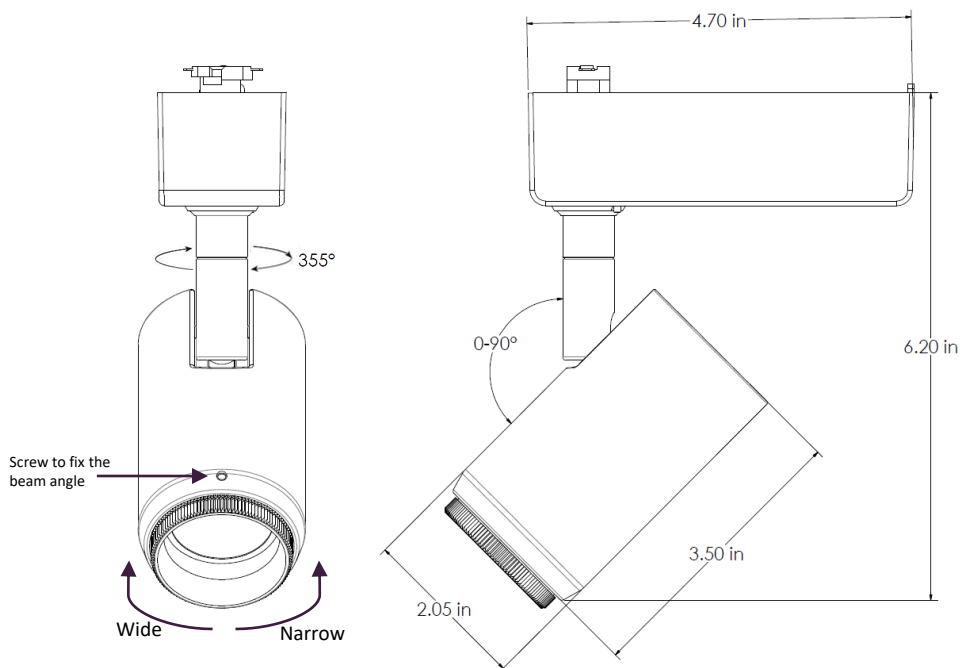
TRACK LED LIGHT

Cylinder Track Head | 1.2" Aperture | Adjustable distribution

DIMENSIONS

AE-TL-AT12VA

- Rotation up to 355°
- Tilt +/- 90°



ACCESSORIES

MOUNTING

ORDERING CODE		DESCRIPTION	PICTURE
T10016	-WH	Monopoint adapter Surface / wall mount Compatible with Juno system 1 Track head can be installed.	
	-BK		
T10017	-WH	Duopoint adapter Surface / wall mount Compatible with Juno system. 2 Track heads can be installed.	
	-BK		

TRACK LED LIGHT

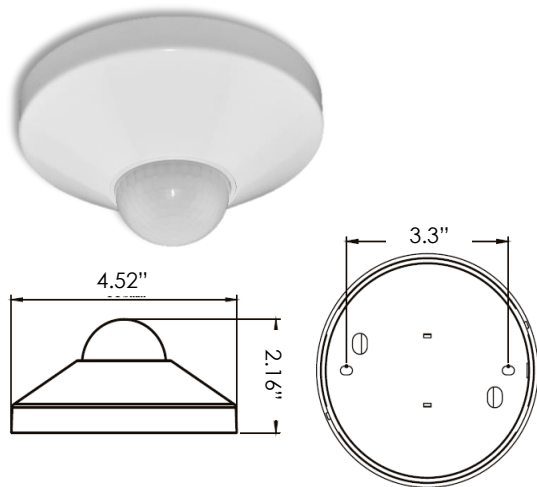
Cylinder Track Head | 1.2" Aperture | Adjustable distribution

ROOM OCCUPANCY SENSOR

Ordered separately, field installed

PART NUMBER	DESCRIPTION
AE-CT-DT806	Line Voltage Motion Sensor
RC100	RC102 Remote Control

SPECIFICATIONS		
Input Voltage	120-277 Vac	
Power Frequency	50/60HZ	
Rated Load	At 120 Vac	800W
	At 277 Vac	1200W
Detection Range	3-10 Meters	
	9.8-32.75 Feet	
Standby Power	~0.9W	
Time Setting	10 sec to 30 min	
Light Control	10-2,000LUX	
Installation	Ceiling Mounted	



DIMMER COMPATIBILITY LIST

TRIAC/ELV Dimming

Brand	Model	Brand	Model
Leviton	6602-X	Lutron	SLV-600X
	6681-X		S2-LX
	6683-X		GL-600H
	6684-X		NFTU-5A
	700-X		DVLV-600P
	705-X	Cooper	9530XXX
	6633	Lightolier	MP600X
	6674	Advance	SR150LED120
	IPI06-1LZ		

TRACK LED LIGHT

Cylinder Track Head | 1.2" Aperture | Adjustable distribution

LUMEN ESTIMATE

Lumen output varies based on CCT and CRI. An estimate of lumen output of the various CCT/CRI combinations, use correction factors as per table below:

LUMEN ESTIMATE ADJUSTMENT FACTORS

CCT	2800K	3000K	3500K	4000K
PREMIUM (90CRI)	0.96	1	1.06	1.06

PHOTOMETRIC DATA

PART NUMBER		ZONAL LUMEN SUMMARY			POLAR LUMINOUS INTENSITY	CONE DISTRIBUTION			
AE-CDM-12HNF30XXJ1BK		Zone	Lumens	% Fixture	Direct Light	Center Beam Fc	Beam Width		
Wattage	15W	0-20°	661.23	74.5		1.7ft	1554 fc	0.7 ft	0.7 ft
CCT	3000K	0-30°	778.27	87.7		3.3ft	412 fc	1.4 ft	1.4 ft
Distribution	20°	0-40°	820.12	92.4		5.0ft	180 fc	2.2 ft	2.2 ft
		0-60°	848.36	95.6		6.7ft	100 fc	2.9 ft	2.9 ft
		0-80°	860.75	97		8.3ft	65.2 fc	3.6 ft	3.6 ft
		0-90°	864.69	97.5		10.0ft	44.9 fc	4.3 ft	4.3 ft
						■ Vert. Spread: 24.3° ■ Horiz. Spread: 24.4°			

PART NUMBER		ZONAL LUMEN SUMMARY			POLAR LUMINOUS INTENSITY	CONE DISTRIBUTION			
AE-CDM-12HFLP30XXXXXX		Zone	Lumens	% Fixture	Direct Light	Center Beam Fc	Beam Width		
Wattage	15W	0-20°	439.09	43.6		1.7ft	500 fc	1.4 ft	1.4 ft
CCT	3000K	0-30°	722.41	71.7		3.3ft	133 fc	2.7 ft	2.8 ft
Distribution	50°	0-40°	893.08	88.6		5.0ft	57.8 fc	4.1 ft	4.2 ft
		0-60°	966.74	95.9		6.7ft	32.2 fc	5.6 ft	5.6 ft
		0-80°	980.93	97.3		8.3ft	21 fc	6.9 ft	7.0 ft
		0-90°	985.53	97.8		10.0ft	14.4 fc	8.3 ft	8.4 ft
						■ Vert. Spread: 45.1° ■ Horiz. Spread: 45.7°			

TRACK LED LIGHT

Cylinder Track Head | 1.2" Aperture | Adjustable distribution

OVERVIEW



Innovative Design

- Die cast Aluminum housing for better heat dissipation.
- Improved design extends LED and driver lifespan.



Mountings Available

- Choose from any of the popular track systems such as Juno, Halo, Lightolier, or Global.
- Surface mount with either monopoint or duopoint adapters.



Multiple Options

- Four CCTs available to choose from.
- Black, white, and silver finishes.
- Adjustable beam angle ranging from 20° to 50°



Tests And Certifications

