

ARTEMIS

TRACK LIGHTING

Track fixture

The ARTEMIS series comes with a horizontal driver enclosure and a unique track head enhanced with the ability to adjust the focus of the optics based on your requirement. It is available in black, white and silver finishes or a combination of any two finishes to provide a unique customized product for your environment. This product comes at a standard 90 CRI, but also caters to lighting experts with a high-GAI (Gamut Area Index) option for an enhanced visual effect on products.



eralux®



DATE	
PROJECT NAME	
TYPE	
QTY	
ORDERING CODE	AE-TL-AT12VA

OPERATING & ELECTRICAL

INPUT VOLTAGE	120 V
POWER FACTOR	0.9
DIMMING	Triac dimming
TOTAL HARMONIC DISTORTION (THD)	<20%

PERFORMANCE

LUMENS PER WATT	65-69 LPW at 90CRI
POWER CONSUMPTION	15W
DISTRIBUTION	Variable beam angle from 20° to 50°

MECHANICAL & HOUSING

HOUSING	Die casting aluminum for increased rigidity and strength
LENS	High translucent tempered glass lenses ensures high efficiency light output for a clean, evenly illuminated surface with minimal glare
FINISH	Black, White, Silver
POWER SUPPLY	Factory wired electronic LED driver
LED BOARD	COB

APPLICATION CONDITION

AMBIENT TEMPERATURE RANGE	-10 °C to 35°C
---------------------------	----------------

COMPATIBLE MOUNTING

MOUNTING	Juno Global Halo Lightolier
----------	--------------------------------------

WARRANTY

SYSTEM WARRANTY – 5 YEARS

Eralux will warrant defective drivers, LEDs and boards for 5 years from the date of purchase. This warranty is valid only if the fixture is installed and used as per installation guides and specifications. If a defect is present, Eralux will send drivers and boards at no fee with a thorough replacement instructions along with instructions on the return of the defective parts back to Eralux.

LUMEN MAINTENANCE – L70 at 50,000 hours

Rated for 70% initial lumen output at 50,000 hours of operation, operated at 25°C ambient temperature; per guidelines published by the Illuminating Engineering Society (IES)

eralux®
ARTEMIS

TRACK LIGHTING

Track fixture

DATE				
PROJECT NAME				
TYPE				
QTY				
ORDERING CODE	AE-TL-AT12VA			

ORDERING GUIDE

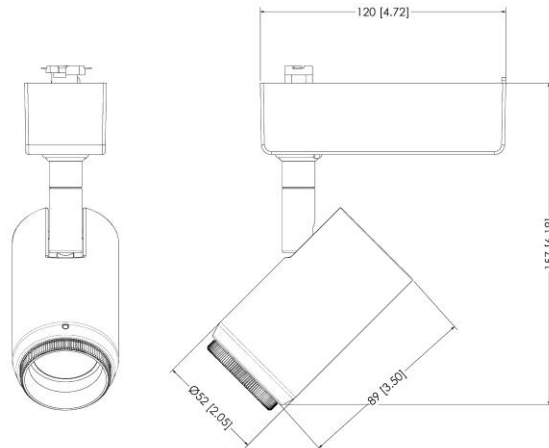
EXAMPLE: AE-TL-AT12VAP30J1BK

FIXTURE FAMILY	VOLTAGE	DISTRIBUTION	CRI	CCT	ADAPTER	FINISH
AE-TL-AT	12	VA				
AE-TL-AT ERALUX Artemis Series track light	12 120V	VA Variable distribution from 20° to 50° Up to 1,035 lumens 20: CBCP 4200 @ 90 CRI 50: CBCP 1450 @ 90 CRI	P Premium 90 CRI	27 2700K CCT	J1 Juno mounting system	BK Black powder coat finish
				30 3000K CCT	G1 Global mounting system	WH White powder coat finish
			S* Superior HIGH- GAI	35 3500K CCT	H1 Halo mounting system	
				40 4000K CCT	L1 Lightolier mounting system	SV Silver powder coat finish

* Available only at 3000K & 3500K

PRODUCT DIMENSIONS

AE-TL-AT12VAXXX1XX



eralux®
ARTEMIS

TRACK LIGHTING
Track fixture

DATE				
PROJECT NAME				
TYPE				
QTY				
ORDERING CODE	AE-TL-AT12VA			

DIMMER COMPATIBILITY LIST

TRIAC/ELV Dimmer @120VAC
Lutron SLV-600X
Lutron S2-LX
Lutron GL-600H
Lutron NFTU-5A
Lutron DVLV-600P
Leviton 6602-X
Leviton 6681-X
Leviton 6683-X
Leviton 6684-X

TRIAC/ELV Dimmer @120VAC
Leviton 700-X
Leviton 705-X
Leviton 6633
Leviton 6674
Leviton IPI06-1LZ
Cooper 9530XXX
Lightolier MP600X
Advance SR150LED120

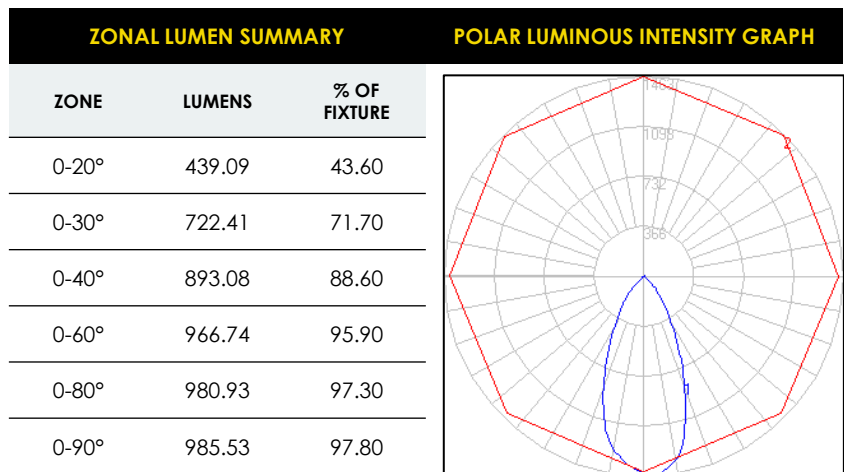
LUMEN ESTIMATE

Lumen output varies based on CCT and CRI. An estimate of lumen output of the various CCT/CRI combinations, use correction factors as per table below:

LUMEN ESTIMATE ADJUSTMENT FACTORS				
CCT	2700K	3000K	3500K	4000K
PREMIUM (90CRI)	.96	1	1.06	1.06
CLASS A		0.90	0.96	

PHOTOMETRIC DATA

AE-TL-AT12VAXXXX1XX
(FLOOD DISTRIBUTION)



DATE				
PROJECT NAME				
TYPE				
QTY				
ORDERING CODE	AE-TL-AT12VA			

OVERVIEW



MULTIPLE MOUNTING ADAPTERS

Choose from any of the popular track systems such as Juno, Halo, Lightolier, or Global.

PREMIUM DESIGN

Aluminum die-cast materials selected for efficient thermal heat dissipation, enhanced structural rigidity maximizing LED life and driver function.

VARIABLE BEAM ANGLE

Enhance your project space perfectly by selecting the distribution by rotating the fixture's aperture to adjust the beam angle from 20 to 50 degrees.

PAINT FINISH

Factory standard in black, white, and silver. Contact for custom paint finishes to enhance your fixture to suit your project space.