

ARTISTA 347 EVOLVE

LED COMMERCIAL DOWNLIGHT
RECESSED DOWNLIGHT



eralux®

5 YEARS
WARRANTY
eralux



The Artista 347 EVOLVE Series LED downlight is the ideal recessed downlight for any retrofit or new construction project. Its voltage rating of 120-347V makes it highly suitable for Canadian and American markets. The spring-action housing clips simplify the installation process for six- and eight-inch sizes. The Artista 347 EVOLVE separates itself from competitor downlights by having selectable lumens, and CCT switches, enabling high flexibility at the project location.

DATE			
PROJECT NAME			
TYPE			
QTY			
ORDERING CODE	AE-DL-ATE-CA		-010-P30/35/40/50

OPERATING & ELECTRICAL

POWER FACTOR	0.9
TOTAL HARMONIC DISTORTION (THD)	<20%

PERFORMANCE

LUMENS PER WATT	83 LPW at 90CRI
BEAM ANGLE	90°
DIMMING	0-10V (Dim down to 10%)

MECHANICAL & HOUSING

HOUSING	Aluminum die cast housing
LENS	Highly durable polycarbonate and high transmittance lens
FINISH	White powder coat finish
REFLECTOR	Cast aluminum, powder coated, non-yellowing, white baffle and flange
POWER SUPPLY	Factory wired electronic LED
LED BOARD	Light emitted source
SPRING	Stainless steel spring-action clips

APPLICATION CONDITION

AMBIENT TEMPERATURE RANGE	-20 °C to 40°C
PROTECTION	Wet location rated, IC rated (6" model only)

COMPATIBLE MOUNTING

MOUNTING	New construction or retrofit Mounted with stainless steel spring-action housing clips
----------	--

WARRANTY

SYSTEM WARRANTY – 5 YEARS

Eralux will warrant defective drivers, LEDs and boards for 5 years from the date of purchase. This warranty is valid only if the fixture is installed and used as per installation guides and specifications. If a defect is present, Eralux will send drivers and boards at no fee with a thorough replacement instructions along with instructions on the return of the defective parts back to Eralux.

LUMEN MAINTENANCE – L70 at 50,000 hours

Rated for 70% initial lumen output at 50,000 hours of operation, operated at 25°C ambient temperature; per guidelines published by the Illuminating Engineering Society (IES).

ARTISTA 347 EVOLVE

LED COMMERCIAL DOWNLIGHT
RECESSED DOWNLIGHT

DATE	
PROJECT NAME	
TYPE	
QTY	
ORDERING CODE	AE-DL-ATE-CA -010-P30/35/40/50

ORDERING GUIDE

EXAMPLE: AE-DL-ATE-CA6-12-17.5WT-010-P30/35/40/50

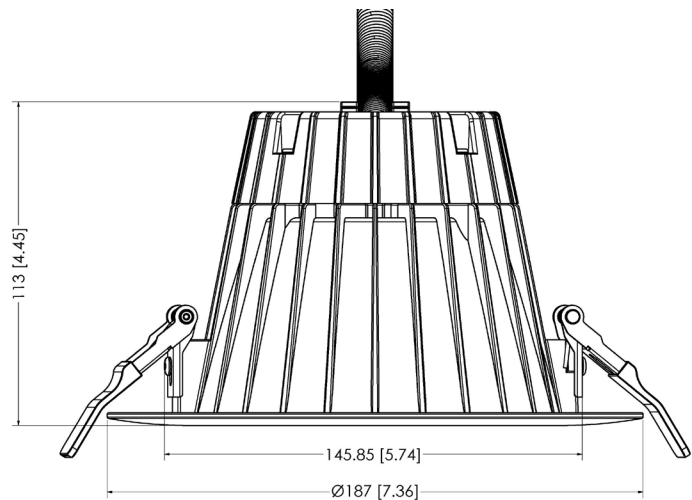
FIXTURE FAMILY	VOLTAGE	SHAPE & SIZE	POWER	CONTROL	CCT
AE-DL-ATE-	CA			-010	-P30/35/40/50
AE-DL-ATE- ERALUX Artista 347 EVOLVE recessed downlight	CA 120-347Vac 50/60Hz	6- 6" Round housing	12-17.5WT 12/17.5W: 1,000/1,500lm Selectable	0-10V external dimming down to 10%	-P30/35/40/50 3000K/3500K/ 4000K/5000K Selectable CCT
		8- 8" Round housing	18-24WT 18/24W: 1,500/2,000lm Selectable		
			21-32WT 21/32W: 2,000/3,000lm Selectable		

PRODUCT DIMENSIONS (in mm & inches)

AE-DL-ATE-CA6-12-17.5WT (6-inch round)

Weight: 0.670 kg

Ceiling cut-out: 5
1/2" - 7" Ø



ARTISTA 347 EVOLVE

LED COMMERCIAL DOWNLIGHT
RECESSED DOWNLIGHT

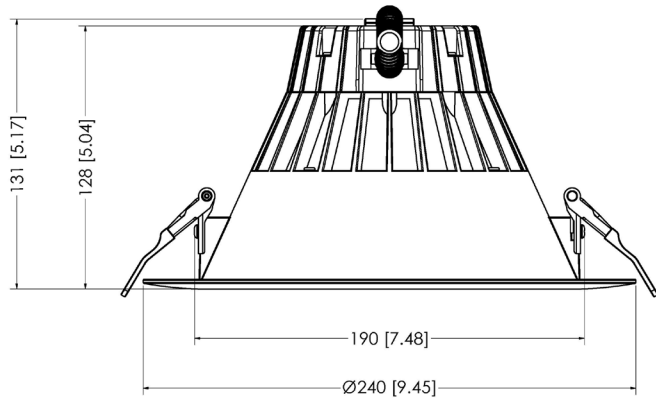
DATE			
PROJECT NAME			
TYPE			
QTY			
ORDERING CODE	AE-DL-ATE-CA		-010-P30/35/40/50

PRODUCT DIMENSIONS (in mm & inches)

AE-DL-ATE-CA8-18-24WT (8-inch round)

Weight: 0.865 kg

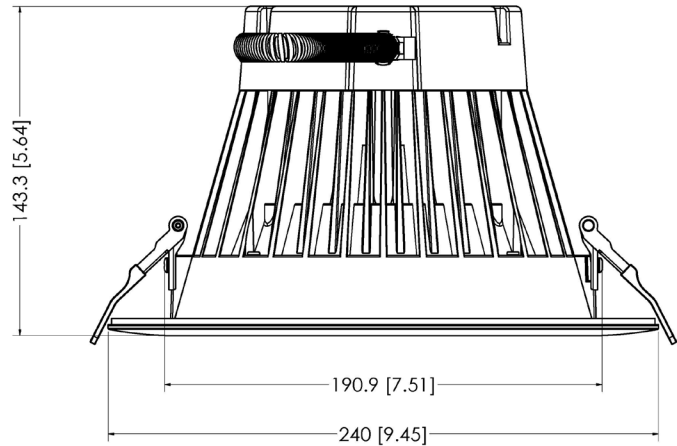
Ceiling cut-out: 7 1/2" - 9 1/4" Ø



AE-DL-ATE-CA8-21-32WT (8-INCH ROUND)

Weight: 1.400 kg

Ceiling cut-out: 7 1/2" - 9 1/4" Ø



ARTISTA 347 EVOLVE

LED COMMERCIAL DOWNLIGHT
RECESSED DOWNLIGHT

DATE			
PROJECT NAME			
TYPE			
QTY			
ORDERING CODE	AE-DL-ATE-CA		-010-P30/35/40/50

LUMEN ESTIMATE

Lumen output varies based on CCT and CRI. An estimate of lumen output of the various CCT/CRI combinations, use correction factors as per table below:

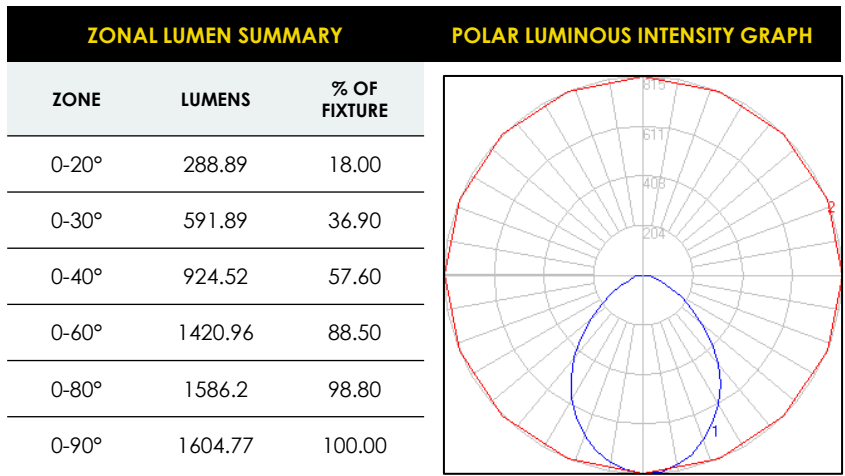
LUMEN ESTIMATE ADJUSTMENT FACTORS				
CCT	2700K	3000K	3500K	4000K
PREMIUM (90CRI)	.96	1	1.03	1.06

PHOTOMETRIC DATA

AE-DL-ATE-CA6-12-17.5WT-010-P30/35/40/50

6 inch

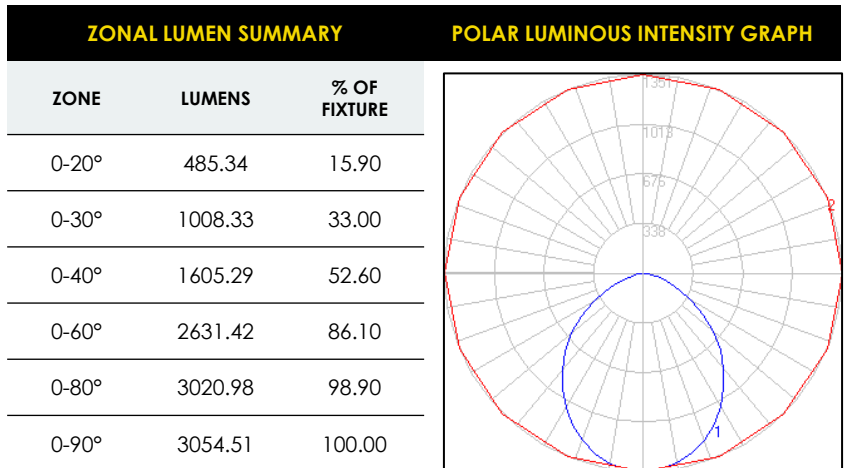
AT 17.5W AND 3000K



AE-DL-ATE-CA8-21-32WT-010-P30/35/40/50

8 inch

AT 32W AND 3000K



ARTISTA 347 EVOLVE

LED COMMERCIAL DOWNLIGHT
RECESSED DOWNLIGHT

DATE			
PROJECT NAME			
TYPE			
QTY			
ORDERING CODE	AE-DL-ATE-CA		-010-P30/35/40/50

ACCESSORIES

Ordered separately, field installed

NEW CONSTRUCTION FRAME KIT

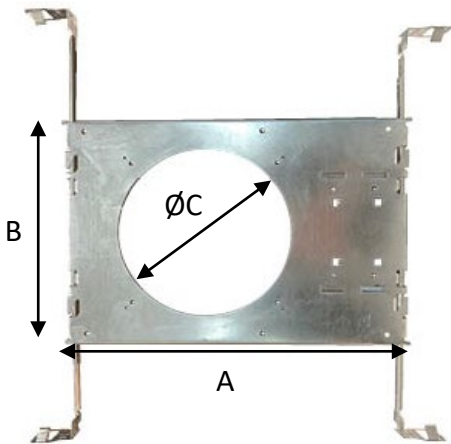


MATERIAL 22-gauge galvanized steel housing
Galvanized steel junction box with multiple knockouts

MOUNTING T-bar or drywall ceilings
Up to 1.5" thick

Ordering Code AE-DL-FRKT-06
AE-DL-FRKT-08

FRAME KIT DIMENSIONS



DIMENSIONS

4" Round	A	12.75" [324 mm]
	B	8.63" [219 mm]
	C	Ø 4.50" [114 mm]
6" Round	A	12.75" [324mm]
	B	8.63" [219 mm]
	C	Ø 6.37" [162 mm]
8" Round	A	12.75" [324mm]
	B	8.63" [219 mm]
	C	Ø 7.25" [184 mm]

ARTISTA 347 EVOLVE

LED COMMERCIAL DOWNLIGHT
RECESSED DOWNLIGHT

DATE			
PROJECT NAME			
TYPE			
QTY			
ORDERING CODE	AE-DL-ATE-CA		-010-P30/35/40/50

ACCESSORIES (Continued)

Ordered separately, field installed

EMERGENCY LED DRIVER (BLD-HMXXD-YYY)

BLD-HM8D-YYY

OUTPUT POWER : 8 WATTS

BLD-HM25D-YYY

OUTPUT POWER : 25 WATTS



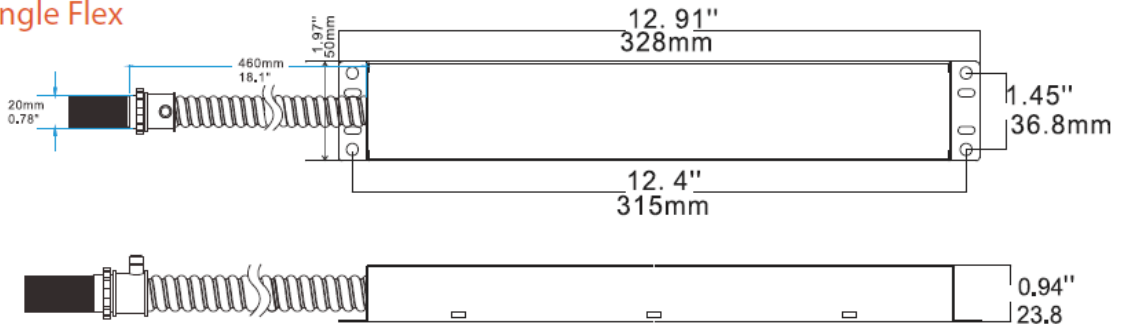
Single Flex(Standard)

- Easy Wiring
- Certified For CA Title 20
- Constant Power Performance

BLD-HMXXD-YYY series LED Emergency Driver is UL listed for field and factory installation that allows the same LED fixture to be used for both normal and emergency operation . In the event of a power failure , the emergency driver switches to emergency mode and operates the existing for 90 minutes. The unit contains a battery , charge , and converter circuit in a single enclosure .This module will operate an LED array load at 6-25W with constant power at a rated output voltage of 170VDC. The constant power design of BLD-HMXXD-YYY maintains the output wattage to LED array, providing consistent illumination for entire emergency runtime. Ideal for use with most 0-10V dimmable indoor commercial LED lighting fixtures, such as LED flat panel, troffer, downlight and suspension mounting LED linear strip lights, etc.

DIMENSIONS (inches and mm)

Single Flex



ARTISTA 347 EVOLVE

LED COMMERCIAL DOWNLIGHT
RECESSED DOWNLIGHT

DATE			
PROJECT NAME			
TYPE			
QTY			
ORDERING CODE	AE-DL-ATE-CA		-010-P30/35/40/50

OVERVIEW

ENERGY-EFFICIENT LUMINAIRE

Energy Star certified high-efficacy output of >75 lumens per watt at 90CRI.

UNPARALLELED LIGHT FLEXIBILITY

Use the DIP switches on the top of the fixture's housing to switch between 2 lumen packages and 4 color temperature options from 3000K to 5000K.



PREMIUM DESIGN AND CONSTRUCTION

Housing made from aluminum diecast for increased rigidity and strength. Wet location rated and suitable for temperatures ranging from -20 to 40 degrees Celsius.

RETROFIT OR NEW CONSTRUCTION

Durable stainless steel spring action housing clips for retrofit installations or purchase with the new construction frame kit for new constructions.



6-inch:
12/17.5W



8-inch: 18/24W



8-inch:
21/32W