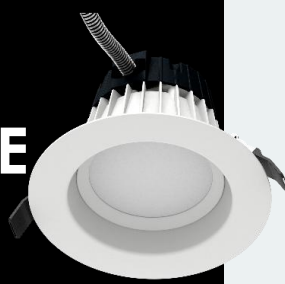


# ARTISTA 347 EVOLVE

LED COMMERCIAL DOWNLIGHT  
RECESSED DOWNLIGHT



eralux®

5 YEARS  
WARRANTY  
eralux



The Artista 347 EVOLVE Series LED downlight is the ideal recessed downlight for any retrofit or new construction project. Its voltage rating of 120-277V / 347V makes it highly suitable for Canadian and American markets. The spring-action housing clips simplify the installation process for six-inch size. The Artista 347 EVOLVE separates itself from competitor downlights by having selectable lumens, and CCT switches, enabling high flexibility at the project location.

DATE				
PROJECT NAME				
<b>TYPE</b>				
QTY				
ORDERING CODE	AE-DL-ATE-CA			-010-P30/35/40/50

## OPERATING & ELECTRICAL

POWER FACTOR	0.9
TOTAL HARMONIC DISTORTION (THD)	<20%

## PERFORMANCE

LUMENS PER WATT	83 LPW at 90CRI
BEAM ANGLE	90°
DIMMING	0-10V (Dim down to 10%)

## MECHANICAL & HOUSING

HOUSING	Aluminum die cast housing
LENS	Highly durable polycarbonate and high transmittance lens
FINISH	White powder coat finish
REFLECTOR	Cast aluminum, powder coated, non-yellowing, white baffle and flange
POWER SUPPLY	Factory wired electronic LED
LED BOARD	Light emitted source
SPRING	Stainless steel spring-action clips

## APPLICATION CONDITION

AMBIENT TEMPERATURE RANGE	-20 °C to 40°C
PROTECTION	Wet location rated, IC rated (6" model only)

## COMPATIBLE MOUNTING

MOUNTING	New construction or retrofit Mounted with stainless steel spring-action housing clips
----------	--

## WARRANTY

### SYSTEM WARRANTY – 5 YEARS

Eralux will warrant defective drivers, LEDs and boards for 5 years from the date of purchase. This warranty is valid only if the fixture is installed and used as per installation guides and specifications. If a defect is present, Eralux will send drivers and boards at no fee with a thorough replacement instructions along with instructions on the return of the defective parts back to Eralux.

### LUMEN MAINTENANCE – L70 at 50,000 hours

Rated for 70% initial lumen output at 50,000 hours of operation, operated at 25°C ambient temperature; per guidelines published by the Illuminating Engineering Society (IES).

# ARTISTA 347 EVOLVE

LED COMMERCIAL DOWNLIGHT  
RECESSED DOWNLIGHT

DATE	
PROJECT NAME	
<b>TYPE</b>	
QTY	
ORDERING CODE	AE-DL-ATE-CA       -010-P30/35/40/50

## ORDERING GUIDE

EXAMPLE: AE-DL-ATE-CA6-12-17.5WT-010-P30/35/40/50

FIXTURE FAMILY	VOLTAGE	SHAPE & SIZE	POWER	CONTROL	CCT
<b>AE-DL-ATE-</b>	<b>CA</b>	<b>6-</b>	<b>12-17.5WT</b>	<b>-010</b>	<b>-P30/35/40/50</b>
<b>AE-DL-ATE-</b> ERALUX Artista 347 EVOLVE recessed downlight	<b>CA</b> 120-277 /347Vac 50/60Hz	<b>6-</b> 6" Round housing	<b>12-17.5WT</b> 12/17.5W: 1,000/1,500lm Selectable	<b>-010</b> 0-10V external dimming down to 10%	<b>-P30/35/40/50</b> 3000K/3500K/ 4000K/5000K Selectable CCT

# ARTISTA 347 EVOLVE

LED COMMERCIAL DOWNLIGHT  
RECESSED DOWNLIGHT

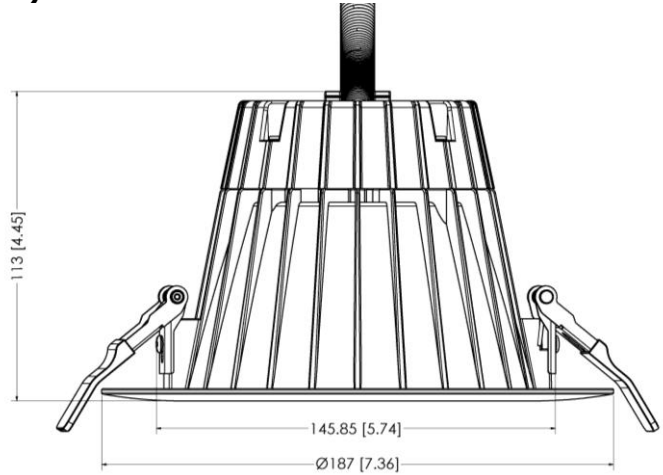
DATE			
PROJECT NAME			
TYPE			
QTY			
ORDERING CODE	AE-DL-ATE-CA		-010-P30/35/40/50

## PRODUCT DIMENSIONS (in mm & inches)

AE-DL-ATE-CA6-12-17.5WT (6-inch round)

Weight: 0.670 kg

**Ceiling cut-out: 5**  
1/2" - 7" Ø



## LUMEN ESTIMATE

Lumen output varies based on CCT and CRI. An estimate of lumen output of the various CCT/CRI combinations, use correction factors as per table below:

LUMEN ESTIMATE ADJUSTMENT FACTORS				
CCT	2700K	3000K	3500K	4000K
PREMIUM (90CRI)	.96	1	1.03	1.06

## PHOTOMETRIC DATA

AE-DL-ATE-CA6-12-17.5WT-010-P30/35/40/50

6 inch

AT 17.5W AND 3000K

ZONAL LUMEN SUMMARY			POLAR LUMINOUS INTENSITY GRAPH
ZONE	LUMENS	% OF FIXTURE	
0-20°	288.89	18.00	
0-30°	591.89	36.90	
0-40°	924.52	57.60	
0-60°	1420.96	88.50	
0-80°	1586.2	98.80	
0-90°	1604.77	100.00	

# ARTISTA 347 EVOLVE

LED COMMERCIAL DOWNLIGHT  
RECESSED DOWNLIGHT

DATE	
PROJECT NAME	
TYPE	
QTY	
ORDERING CODE	AE-DL-ATE-CA -010-P30/35/40/50

## ACCESSORIES

Ordered separately, field installed

## NEW CONSTRUCTION FRAME KIT

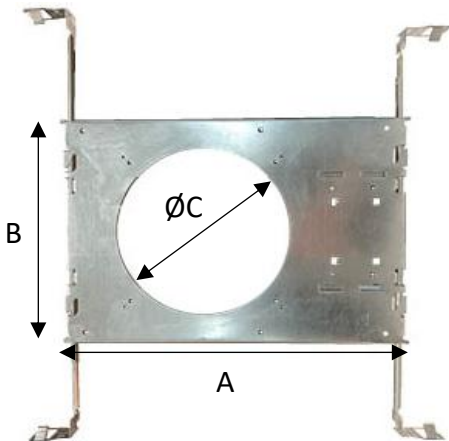


**MATERIAL** 22-gauge galvanized steel housing  
Galvanized steel junction box with multiple knockouts

**MOUNTING** T-bar or drywall ceilings  
Up to 1.5" thick

**Ordering Code** AE-DL-FRKT-06

## FRAME KIT DIMENSIONS



## DIMENSIONS

4" Round	A	12.75" [324 mm]
	B	8.63" [219 mm]
	C	Ø 4.50" [114 mm]
6" Round	A	12.75" [324mm]
	B	8.63" [219 mm]
	C	Ø 6.37" [162 mm]
8" Round	A	12.75" [324mm]
	B	8.63" [219 mm]
	C	Ø 7.25" [184 mm]

# ARTISTA 347 EVOLVE

LED COMMERCIAL DOWNLIGHT  
RECESSED DOWNLIGHT

DATE			
PROJECT NAME			
TYPE			
QTY			
ORDERING CODE	AE-DL-ATE-CA		-010-P30/35/40/50

## ACCESSORIES (Continued)

Ordered separately, field installed

### EMERGENCY LED DRIVER (BLD-HMXXD-YYY)

BLD-HM8D-YYY

OUTPUT POWER : 8 WATTS

BLD-HM25D-YYY

OUTPUT POWER : 25 WATTS



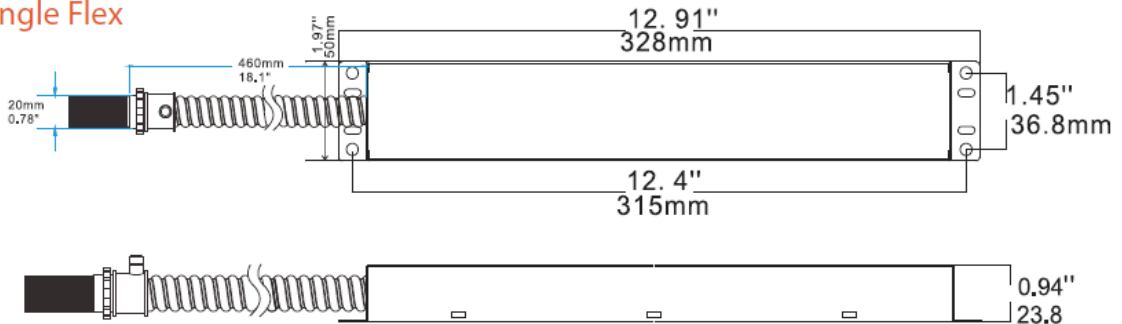
**Single Flex(Standard)**

- Easy Wiring
- Certified For CA Title 20
- Constant Power Performance

BLD-HMXXD-YYY series LED Emergency Driver is UL listed for field and factory installation that allows the same LED fixture to be used for both normal and emergency operation . In the event of a power failure , the emergency driver switches to emergency mode and operates the existing for 90 minutes. The unit contains a battery , charge , and converter circuit in a single enclosure .This module will operate an LED array load at 6-25W with constant power at a rated output voltage of 170VDC. The constant power design of BLD-HMXXD-YYY maintains the output wattage to LED array, providing consistent illumination for entire emergency runtime. Ideal for use with most 0-10V dimmable indoor commercial LED lighting fixtures, such as LED flat panel, troffer, downlight and suspension mounting LED linear strip lights, etc.

### DIMENSIONS (inches and mm)

**Single Flex**



# ARTISTA 347 EVOLVE

LED COMMERCIAL DOWNLIGHT  
RECESSED DOWNLIGHT

DATE			
PROJECT NAME			
TYPE			
QTY			
ORDERING CODE	AE-DL-ATE-CA		-010-P30/35/40/50

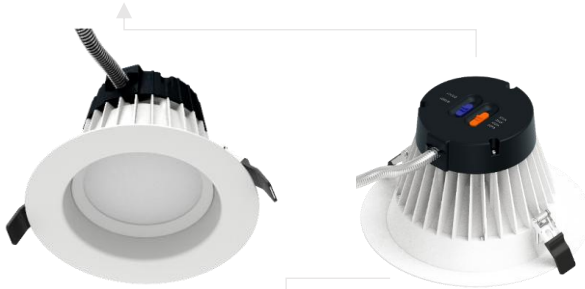
## OVERVIEW

### ENERGY-EFFICIENT LUMINAIRE

high-efficacy output of >75 lumens per watt at 90CRI.

### UNPARALLELED LIGHT FLEXIBILITY

Use the DIP switches on the top of the fixture's housing to switch between 2 lumen packages and 4 color temperature options from 3000K to 5000K.



### PREMIUM DESIGN AND CONSTRUCTION

Housing made from aluminum diecast for increased rigidity and strength. Wet location rated and suitable for temperatures ranging from -20 to 40 degrees Celsius.

### RETROFIT OR NEW CONSTRUCTION

Durable stainless steel spring action housing clips for retrofit installations or purchase with the new construction frame kit for new constructions.



6-inch:  
12/17.5W