

ASTELLANO EVOLVE-SNOW

OUTDOOR PRODUCTS

Outdoor wall pack light



eralux®



The ASTELLANO EVOLVE-SNOW is the traditional wall packs enhanced with progressive led technologies, photocell, among others. The wall pack delivers up to 120 LPW in a variety of power and CCT options. The ASTELLANO EVOLVE-SNOW comes a power switchable capability that can provide various power options. It is heavy-duty aluminum die cast housing, is fully sealed to be dirt proof and proven to withstand the outdoor elements. The ASTELLANO EVOLVE-SNOW is the living proof where performance can be found in long standing traditional products.

DATE			
PROJECT NAME			
TYPE			
QTY			
ORDERING CODE	AE-WP-WP01-120M-	-3CCT	-

OPERATING & ELECTRICAL

INPUT VOLTAGE	120-347V
POWER FACTOR	0.9
DIMMING	No dimming
TOTAL HARMONIC DISTORTION (THD)	<20%

PERFORMANCE

LUMENS PER WATT	120 LPW at 80CRI
POWER	30, 60, 90, 120W
BEAM ANGLE	90° x 100°

MECHANICAL & HOUSING

HOUSING	Aluminum die cast housing for superior heat dissipation, strength, and rigidity.
LENS	UV resistant, shatterproof glass lens ensures high efficiency light output for a clean, evenly illuminated surface with minimal glare. High transmittance lens allowing for a smooth, diffused light pattern.
FINISH	Powder coat finish for the toughest outdoor conditions. Available in snow white and Aluminum color options.
POWER SUPPLY	Factory wired electronic LED driver
LED BOARD	Light emitted source

APPLICATION CONDITION

AMBIENT TEMPERATURE RANGE	-35°C to 55°C
PROTECTION	Wet location

COMPATIBLE MOUNTING

MOUNTING	Surface, wall mounted
----------	-----------------------

WARRANTY

SYSTEM WARRANTY – 5 YEARS

Eralux will warrant defective drivers, LEDs and boards for 5 years from the date of purchase. This warranty is valid only if the fixture is installed and used as per installation guides and specifications. If a defect is present, Eralux will send drivers and boards at no fee with a thorough replacement instructions along with instructions on the return of the defective parts back to Eralux.

LUMEN MAINTENANCE – L85 at 50,000 hours

Rated for 85% initial lumen output at 50,000 hours of operation, operated at 25°C ambient temperature; per guidelines published by the Illuminating Engineering Society (IES)

ASTELLANO EVOLVE-SNOW

OUTDOOR PRODUCTS

Outdoor wall pack light

DATE			
PROJECT NAME			
TYPE			
QTY			
ORDERING CODE	AE-WP-WP01-120M-	-3CCT	-

ORDERING GUIDE

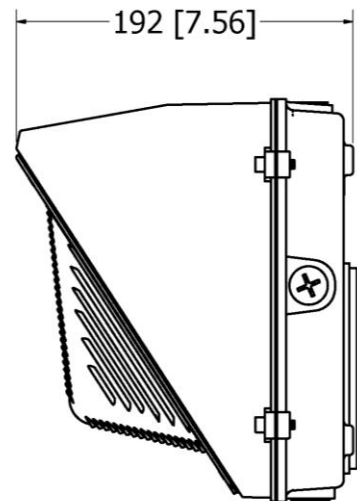
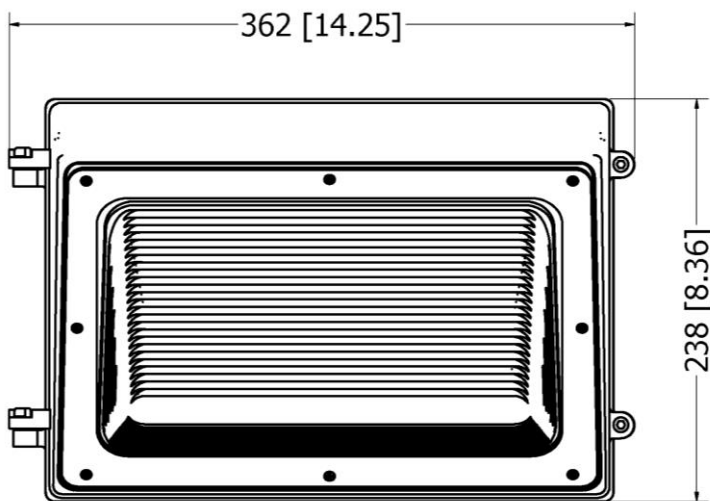
EXAMPLE: AE-WP-WP01-120M-CS-3CCT-WH

FIXTURE FAMILY	POWER	INPUT VOLTAGE	CONTROLS	CCT	FINISH
AE-WP-WP01-	120	M-		-3CCT	-
AE-WP-WP01- ERALUX ASTELLANO Evolve-SNOW Series outdoor wall pack light fixture	120 Wattage adjustable: 120W/90W/60W/30W 14,400/10,800/7,200/ 3,600 lumens	M- 120-347V input voltage	CS Adjustable power switch and CCT switch CSP Adjustable power switch and CCT switch; photocell sensor with dimming	-3CCT CCT adjustable: 3000K/4000K/5000K	-WH White powder coat finish -AL* (RAL9006) powder coat finish

* Contact manufacturer for leadtime

PRODUCT DIMENSIONS (in mm)

AE-WP-WP01



ASTELLANO EVOLVE-SNOW

OUTDOOR PRODUCTS

Outdoor wall pack light

DATE			
PROJECT NAME			
TYPE			
QTY			
ORDERING CODE	AE-WP-WP01-120M-	-3CCT	-

LUMEN ESTIMATE

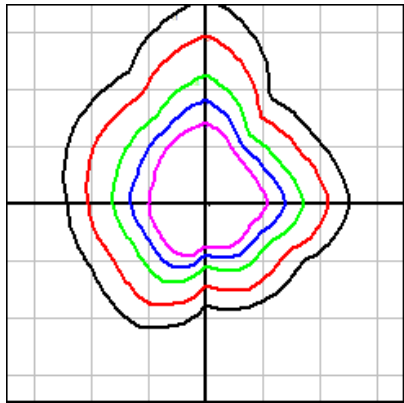
Lumen output varies based on CCT and CRI. An estimate of lumen output of the various CCT/CRI combinations, use correction factors as per table below:

LUMEN ESTIMATE ADJUSTMENT FACTORS				
CCT	2700K	3000K	3500K	4000K
NORMAL (80CRI)	.91	.94	.97	1

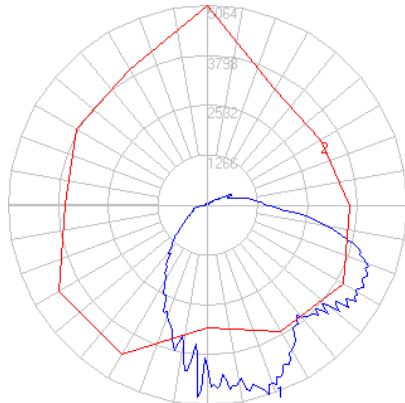
PHOTOMETRIC DATA

AE-WP-WP01-120M-XX-3CCT-XX (5000K)

GRID DISTANCES WITH A MOUNTING HEIGHT OF 10' AFG



POLAR LUMINOUS INTENSITY GRAPHS



DATE			
PROJECT NAME			
TYPE			
QTY			
ORDERING CODE	AE-WP-WP01-120M-	-3CCT	-

OVERVIEW



PREMIUM MATERIALS

Aluminum die-cast housing for superior heat dissipation and fixture structural strength.

ACCESSORIES

Can be equipped with photocell, EMBB



GLASS LENS

UV resistant, shatterproof glass lens ensures high efficiency light output for an evenly illuminated surface.

MULTIPLE FINISHES

Comes in white, aluminum and potentially other finishes to blend in your space.