

ASTRO LINE

eralux®

TRACK LED LIGHT

Linear Track Head | 1.2" Aperture | Wall Wash

The Astro Line track head is an ideal choice for wall wash projects, thanks to its unique beam angles (SINGLE ASYMMETRICAL / DOUBLE ASYMMETRICAL). It features a sleek linear design available in both 2- and 4-foot lengths, with a CCT SELECTABLE option (30K/35K/40K) that makes it adaptable to any project. Additionally, it comes in a variety of finishes, including White, Black, and Silver, to suit different styles.

Applications: Art Galleries | Show Rooms | Retail Stores | Hospitality

| | DATE | QTY | ACC. QTY | TYPE |
|--------------|------|-----|----------|------|
| PROJECT | | | | |
| PN | | | | |
| ACCESSORY PN | | | | |
| NOTES | | | | |




DYNAMIC MENU

| | |
|-------------------|------------------------|
| Order Information | Page 2 |
| Dimensions | Page 3 |
| Accessories | Page 4 |
| Photometric Data | Page 5 |

[Install Instruction Link](#)

SPECIFICATIONS

| | |
|---------------------------|--|
| Input Voltage | 120V |
| Power Factor | >0.9 |
| Total Harmonic Distortion | <20% |
| Dimming | TRIAC |
| CRI | 90 CRI |
| CCT | <div style="display: flex; gap: 10px;"> <div style="border: 1px solid black; border-radius: 50%; padding: 2px 5px;">30K</div> <div style="border: 1px solid black; border-radius: 50%; padding: 2px 5px;">35K</div> <div style="border: 1px solid black; border-radius: 50%; padding: 2px 5px;">40K</div> </div> |
| Efficacy | ~85-100 lm/W |
| Power | 20 W 38 W |
| Ambient Temperature Range | -10°C to 35°C |
| Mounting Adapter | Juno |
| Mounting Options | Track System Monopoint |
| Fixture Finish | Black White Silver |
| Distribution | Single Double Diffuser  |



PRODUCT FEATURES



PRODUCT CERTIFICATIONS



SYSTEM WARRANTY – 5 YEARS

Eralux will warrant defective drivers, LEDs and boards for 5 years from the date of purchase. This warranty is valid only if the fixture is installed and used as per installation guides and specifications. If a defect is present, Eralux will send drivers and boards at no fee with a thorough replacement instructions along with instructions on the return of the defective parts back to Eralux.

LUMEN MAINTENANCE – L85 at 50,000 hours

Rated for 85% initial lumen output at 50,000 hours of operation, operated at 25°C ambient temperature; per guidelines published by the Illuminating Engineering Society (IES).

TRACK LED LIGHT

Linear Track Head | 1.2" Aperture | Wall Wash



ORDERING GUIDE

| | | | | | | | |
|---|--|----------------------|----------------------------------|----------------------------|---|-------------------|---------------------------------|
| AE-TL-AS | | 12 | | P | 30/35/40 | J1 | |
| AE-TL-AS ERALUX Astro Line Track Head | A 2 FT 20 W 1990 lm | 12 120V AC | DA Double Asymmetrical | P Premium 90 CRI | 30/35/40 CCT Switchable 3000/4000/5000K | J1 Juno | BK Black powder coat |
| | B 4 FT 38 W 3780 lm @3000K CCT | | SA Single Asymmetrical | | | | WH White powder coat |
| | | | DF Diffuser | | | | SV Silver powder coat |

| | | | | | | | |
|----------------|--------|---------------|--------------|-----|-----|---------|--------|
| Fixture Family | Length | Input Voltage | Distribution | CRI | CCT | Adapter | Finish |
|----------------|--------|---------------|--------------|-----|-----|---------|--------|



ORDERING GUIDE-ACCESSORIES

Ordered separately

| | |
|-------------------------------------|-----------------------|
| T10016 Monopoint Mounting | -BLK Black |
| T10017 Duopoint Mounting | -WHT White |
| | -SLV Silver |

| | |
|----------|--------|
| Mounting | Finish |
|----------|--------|

| | | |
|---|------------------------------|--------------------------------|
| AE-TL-AS ERALUX Astro Line Track Head | A-VISOR 2 FT Visor | -WH White power coat |
| | B-VISOR 4 FT Visor | -BK Black power coat |

| | | |
|----------------|--------|--------|
| Fixture Family | Optics | Finish |
|----------------|--------|--------|



ORDERING GUIDE- TRACK SYSTEM

Track system and components are ordered with the track head if needed.

Refer to the links below for more information.

| | | | | |
|---|------------------------------|------------------------------|--|--|
| T1 ERALUX Track T1 Compatible with Juno system-1 circuit | -2 2ft track | | | |
| | -4 4ft track | -BLK Black Finish | | |
| | -6 6ft track | | | |
| | -8 8ft track | -WHT White Finish | | |
| | -12 12ft track | | | |
| | 0001 Mini I Connector | -SLV Silver Finish | | |
| | 0002 T Connector | | | |
| | 0003 L Connector | | | |
| | 0004 X Connector | | | |
| | 0015 End Feed | | | |

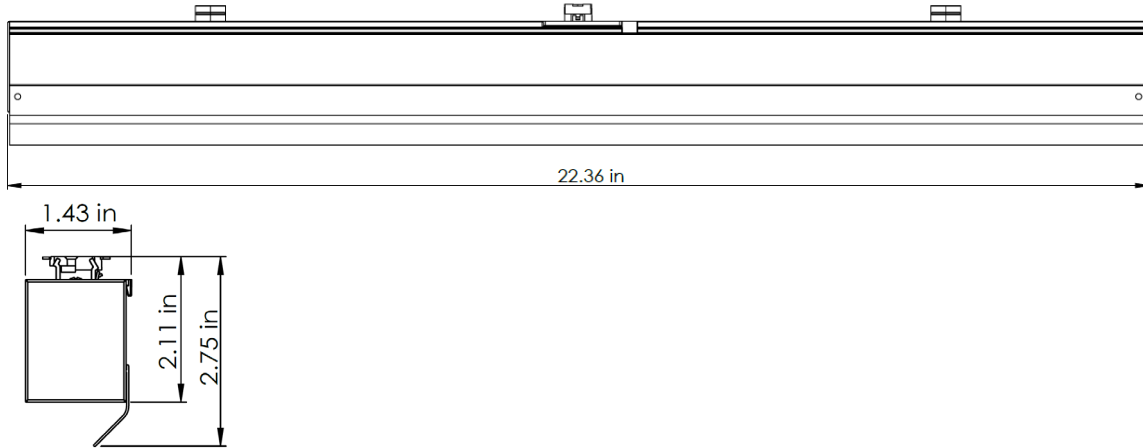
| | | | | |
|--------------|--------------|--------|----|-----|
| TRACK SYSTEM | Track System | Finish | PN | QTY |
|--------------|--------------|--------|----|-----|

TRACK LED LIGHT

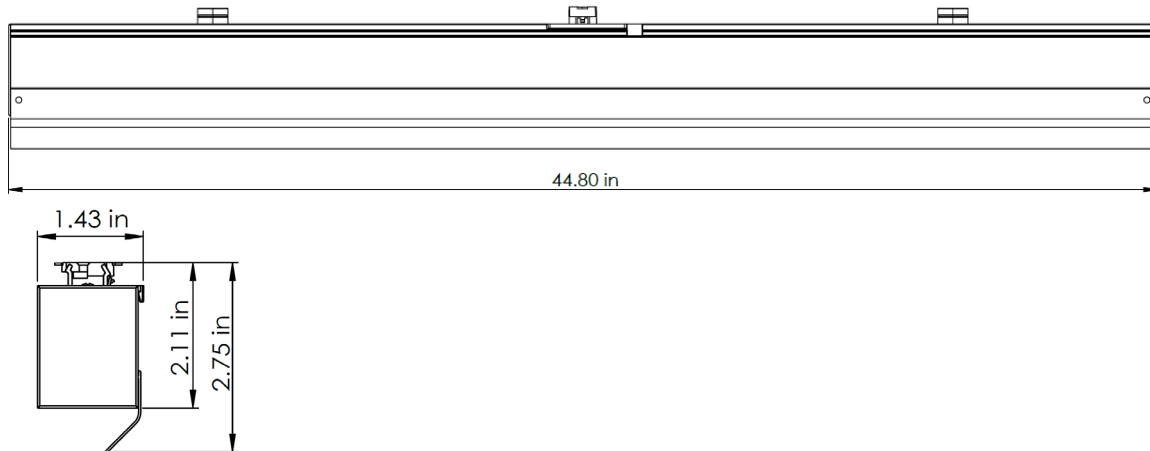
Linear Track Head | 1.2" Aperture | Wall Wash

DIMENSIONS

AE-TL-ASA12

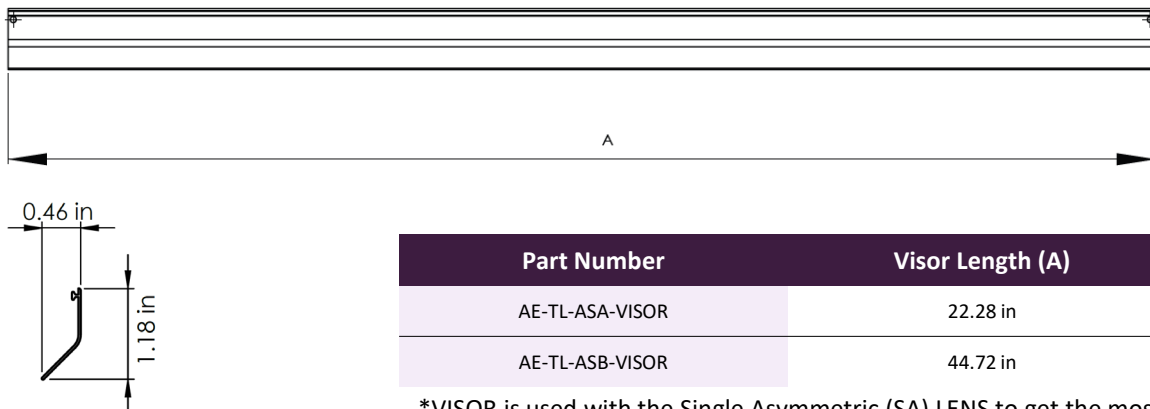


AE-TL-ASB12



VISOR

(Ordered Separately)



| Part Number | Visor Length (A) |
|-----------------|------------------|
| AE-TL-ASA-VISOR | 22.28 in |
| AE-TL-ASB-VISOR | 44.72 in |

*VISOR is used with the Single Asymmetric (SA) LENS to get the most optimal result in a wall wash scenario.

TRACK LED LIGHT

Linear Track Head | 1.2" Aperture | Wall Wash

ACCESSORIES

OPTICAL

| ORDERING CODE | | DESCRIPTION | PICTURE |
|-----------------|-----|--|---------|
| AE-TL-ASA-VISOR | -BK | Visor used for single asymmetric distribution to have an optimal wall wash fixture | |
| AE-TL-ASB-VISOR | -WH | | |

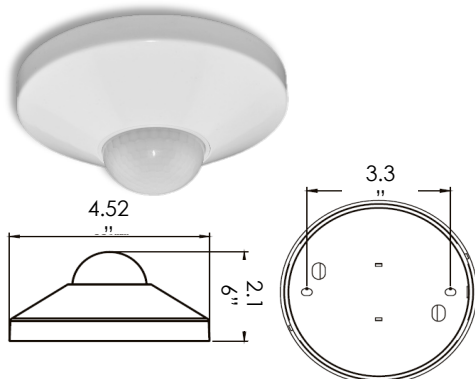
MOUNTING

| ORDERING CODE | | DESCRIPTION | PICTURE |
|---------------|-----|---|---------|
| T10016 | -WH | Monopoint adapter Surface / wall mount Compatible with Juno system 1 Track head can be installed. | |
| | -BK | | |
| T10017 | -WH | Duopoint adapter Surface / wall mount Compatible with Juno system. 2 Track heads can be installed. | |
| | -BK | | |

ROOM OCCUPANCY SENSOR

Ordered separately, field installed

| PART NUMBER | DESCRIPTION |
|-------------|---------------------------------|
| AE-CT-DT806 | Detecta - Room Occupancy Sensor |
| RC102 | RC102 Remote Control |



| SPECIFICATIONS | | |
|-----------------|------------------|-------|
| Input Voltage | 120-277 Vac | |
| Power Frequency | 50/60HZ | |
| Rated Load | At 120 Vac | 800W |
| | At 277 Vac | 1200W |
| Detection Range | 3-10 Meters | |
| | 9.8-32.75 Feet | |
| Standby Power | ~0.9W | |
| Time Setting | 10 sec to 30 min | |
| Light Control | 10-2,000LUX | |
| Installation | Ceiling Mounted | |

LUMEN ESTIMATE

Lumen output varies based on CCT and CRI. An estimate of lumen output of the various CCT/CRI combinations, use correction factors as per table below:

LUMEN ESTIMATE ADJUSTMENT FACTORS

| CCT | 3000K | 3500K | 4000K |
|-----------------|-------|-------|-------|
| PREMIUM (90CRI) | 0.86 | 0.93 | 0.93 |

PHOTOMETRIC DATA

| PART NUMBER | | ZONAL LUMEN SUMMARY | | | POLAR LUMINOUS INTENSITY | CONE DISTRIBUTION | | | |
|--------------------------------|--------|---------------------|---------|-----------|--------------------------|---|------------|--------|---------|
| AE-TL-AE-TL-ASA12DAP30/35/40XX | | Zone | Lumens | % Fixture | Direct Light | Center Beam Fc | Beam Width | | |
| Wattage | 38W | 0-20° | 388.63 | 14.2 | | 1.7ft | 220 fc | 1.1 ft | 2.9 ft |
| CCT | 3000K | 0-30° | 814.53 | 29.8 | | 3.3ft | 58.3 fc | 2.1 ft | 5.6 ft |
| Distribution | Double | 0-40° | 1313.38 | 48.1 | | 5.0ft | 25.4 fc | 3.1 ft | 8.6 ft |
| | | 0-60° | 2243.62 | 82.2 | | 6.7ft | 14.1 fc | 4.2 ft | 11.5 ft |
| | | 0-80° | 2668.2 | 97.7 | | 8.3ft | 9.22 fc | 5.2 ft | 14.2 ft |
| | | 0-90° | 2687.22 | 98.4 | | 10.0ft | 6.35 fc | 6.3 ft | 17.1 ft |
| | | | | | | ■ Vert. Spread: 34.8° ■ Horiz. Spread: 81.1° | | | |

| PART NUMBER | | ZONAL LUMEN SUMMARY | | | POLAR LUMINOUS INTENSITY | CONE DISTRIBUTION | | | |
|--------------------------------|----------|---------------------|---------|-----------|--------------------------|---|------------|---------|---------|
| AE-TL-AE-TL-ASA12DFP30/35/40XX | | Zone | Lumens | % Fixture | Direct Light | Center Beam Fc | Beam Width | | |
| Wattage | 38W | 0-20° | 388.63 | 14.2 | | 1.7ft | 372 fc | 4.1 ft | 4.5 ft |
| CCT | 3000K | 0-30° | 814.53 | 29.8 | | 3.3ft | 98.8 fc | 8.0 ft | 8.8 ft |
| Distribution | Diffuser | 0-40° | 1313.38 | 48.1 | | 5.0ft | 43 fc | 12.1 ft | 13.3 ft |
| | | 0-60° | 2243.62 | 82.2 | | 6.7ft | 24 fc | 16.2 ft | 17.9 ft |
| | | 0-80° | 2668.2 | 97.7 | | 8.3ft | 15.6 fc | 20.0 ft | 22.1 ft |
| | | 0-90° | 2687.22 | 98.4 | | 10.0ft | 10.8 fc | 24.1 ft | 26.7 ft |
| | | | | | | ■ Vert. Spread: 100.7° ■ Horiz. Spread: 106.3° | | | |

| PART NUMBER | | ZONAL LUMEN SUMMARY | | | POLAR LUMINOUS INTENSITY | CONE DISTRIBUTION | | | |
|--------------------------------|--------|---------------------|---------|-----------|--------------------------|---|------------|--------|---------|
| AE-TL-AE-TL-ASA12SAP30/35/40XX | | Zone | Lumens | % Fixture | Direct Light | Center Beam Fc | Beam Width | | |
| Wattage | 38W | 0-20° | 330.24 | 11.1 | | 1.7ft | 248 fc | 1.5 ft | 2.7 ft |
| CCT | 3000K | 0-30° | 779.43 | 26.2 | | 3.3ft | 65.9 fc | 2.9 ft | 5.3 ft |
| Distribution | Single | 0-40° | 1331.83 | 44.9 | | 5.0ft | 28.7 fc | 4.3 ft | 8.0 ft |
| | | 0-60° | 2390.73 | 80.5 | | 6.7ft | 16 fc | 5.8 ft | 10.7 ft |
| | | 0-80° | 2903.54 | 97.8 | | 8.3ft | 10.4 fc | 7.2 ft | 13.3 ft |
| | | 0-90° | 2924.78 | 98.5 | | 10.0ft | 7.18 fc | 8.6 ft | 16.0 ft |
| | | | | | | ■ Vert. Spread: 46.7° ■ Horiz. Spread: 77.3° | | | |

OVERVIEW



Innovative Design

- Die-cast aluminum housing for better heat dissipation.
- Improved design extends LED and driver lifespan.



Multiple Options

- Single, double or diffuser distributions
- 30/35/40K CCT switchable
- Black, white, and silver finishes.



Mountings Available

- Available with Juno tracks only
- Surface mount with either monopoint or duopoint adapters.



Tests And Certifications



Accessories

- Visor to improve the lighting in a wall wash scenario