

ATHENA

OUTDOOR PRODUCTS

Outdoor Stadium Light



eralux®



IP 66



ATHENA super modular outdoor stadium sports light available from 200W to 1200W, with 2 CCT options and 5 beam angle options could fulfill any of your project needs. The compact modular design allows quick and flexible assembly and installation. You can easily adjust the light angle to create diversity of lighting environment. Athena is ERALUX's latest high-power outdoor lighting which can be applied to the sports field, stadium venue, plazas, docking space, etc.

DATE	
PROJECT NAME	
TYPE	
QTY	
ORDERING CODE	AE-SP-AH- - -7 -010-SV

OPERATING & ELECTRICAL

INPUT VOLTAGE	120-277V, 277-480V
POWER FACTOR	>0.92
DIMMING	0-10V dimming
TOTAL HARMONIC DISTORTION (THD)	<20%

PERFORMANCE

LUMENS PER WATT	140 LPW for 30°, 45°, 60° at 70CRI 125 LPW for 10°, 15° at 70CRI
POWER CONSUMPTION	200W, 400W, 600W, 800W, 1200W
BEAM ANGLE	10°, 15°, 30°, 45°, 60°

MECHANICAL & HOUSING

HOUSING	Aluminum die-cast for excellent thermal management and dissipation essential for long lasting, rigid structure and LED driver.
LENS	Tempered glass and polycarbonate optical lens ensures high efficiency light output for a clean, evenly illuminated surface with minimal glare. High transmittance lens allowing for a smooth, diffused light pattern.
FINISH	Powder coating silver finish for strong anti-corrosion
ACCESSORIES	Visor, Safety rope, Mounting adaptor
POWER SUPPLY	Factory wired electronic LED driver
LED BOARD	LED Array

APPLICATION CONDITION

AMBIENT TEMPERATURE RANGE	-30 to 40°C
PROTECTION	IK08 IP66 rated 10KV Surge Protection

COMPATIBLE MOUNTING

MOUNTING	Bracket mount Pole mount with mounting adaptor
----------	---

WARRANTY

SYSTEM WARRANTY – 5 YEARS

Eralux will warrant defective drivers, LEDs and boards for 5 years from the date of purchase. This warranty is valid only if the fixture is installed and used as per installation guides and specifications. If a defect is present, Eralux will send drivers and boards at no fee with a thorough replacement instructions along with instructions on the return of the defective parts back to Eralux.

LUMEN MAINTENANCE – L90 at 53,000 hours

Rated for 90% initial lumen output at 53,000 hours of operation, operated at 25°C ambient temperature; per guidelines published by the Illuminating Engineering Society (IES). (L70 at 50,000 hours)



"DesignLights Consortium® (DLC) qualified product. Not all versions of this product may be DLC qualified. Please check the DLC Qualified Products List at www.designlights.org/QPL to confirm which versions are qualified"

DATE	
PROJECT NAME	
TYPE	
QTY	
ORDERING CODE	AE-SP-AH- - -7 -010-SV

ORDERING GUIDE

EXAMPLE: : AE-SP-AH-200-30-740-010-SV

FIXTURE FAMILY	POWER	BEAM ANGLE	CCT	INPUT VOLTAGE	CONTORL	COLOR FINISH
AE-SP-AH-	-		-7		-010	-SV
AE-SP-AH- ERALUX Athena Stadium Sports Light	200- 200 watts; 25,000 / 28,000 lumens	10 10° beam angle; 125 LPW	-740 70 CRI 4000K	-[BLANK] 100-277 Vac 50 / 60 Hz	-010 0-10V dimmable	-SV Silver finish
	400- 400 watts; 50,000 / 56,000 lumens	15 15° beam angle; 125 LPW				
	600- 600 watts; 75,000 / 84,000 lumens	30 30° beam angle; 140 LPW	-750 70 CRI 5000K	-HV 277-480 Vac 50 / 60 Hz		
	800- 800 watts; 100,000 / 112,000 lumens	45 45° beam angle; 140 LPW				
	1200- 1200 watts; 150,000 / 168,000 lumens	60 60° beam angle; 140 LPW				

ACCESSORIES

FIXTURE FAMILY	MOUNTING METHOD
AE-OD-SP-AH	-
AE-OD-SP-AH	-VS Visor SPCC materials for single LED module
	-SR Safety rope
	-DB Driver box for 800W and 1200W
	-SF-SV Slip fitter mounting bracket-Silver



AE-OD-SP-AH-VS

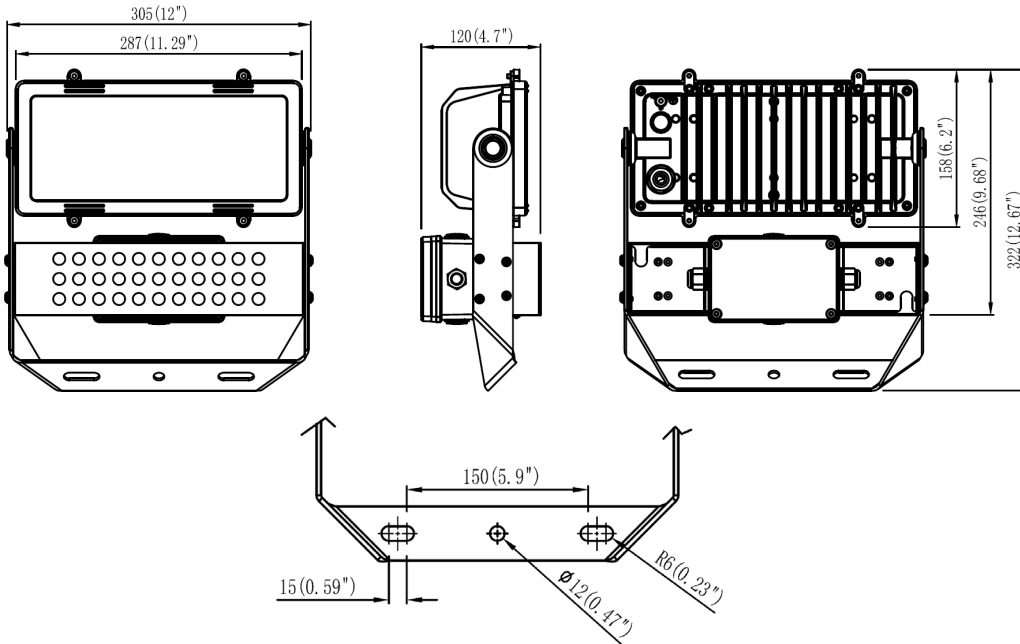
EPA (Effective Projected Area)

POWER	FIXTURE BODY EPA(FT²)	DRIVER BOX EPA(FT²)
200W	0.60	N/A
400W	1.34	N/A
600W	1.96	N/A
800W	2.74	2.09
1200W	3.87	2.09

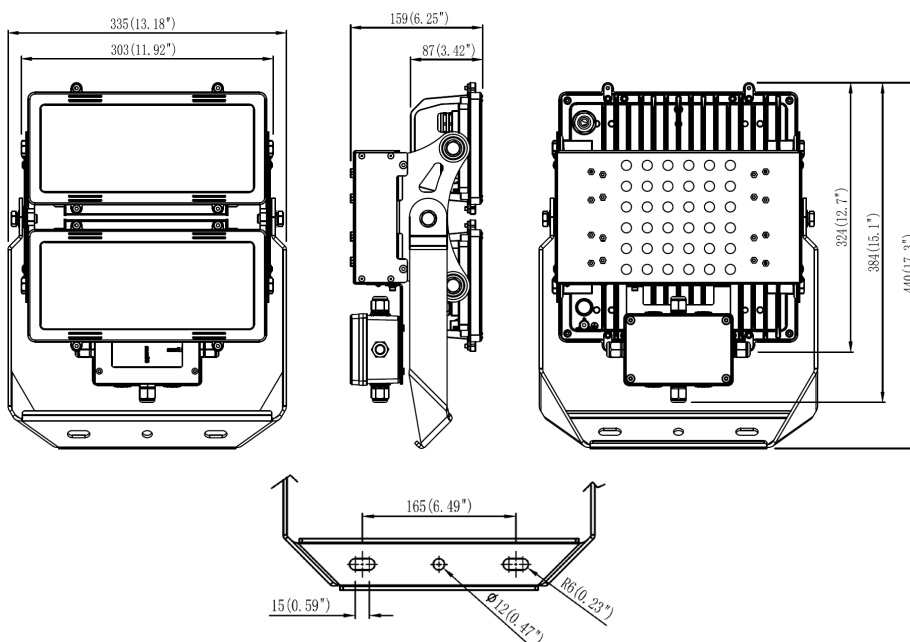
DATE	
PROJECT NAME	
TYPE	
QTY	
ORDERING CODE	AE-SP-AH- - -7 - -010-SV

PRODUCT DIMENSIONS

AE-SP-AH-200W



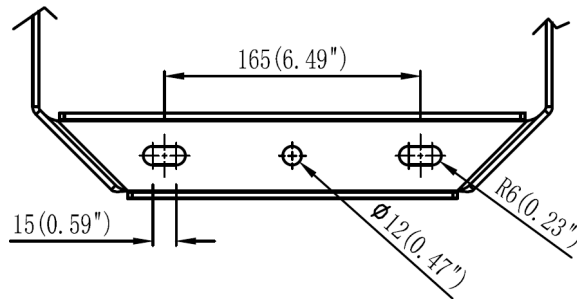
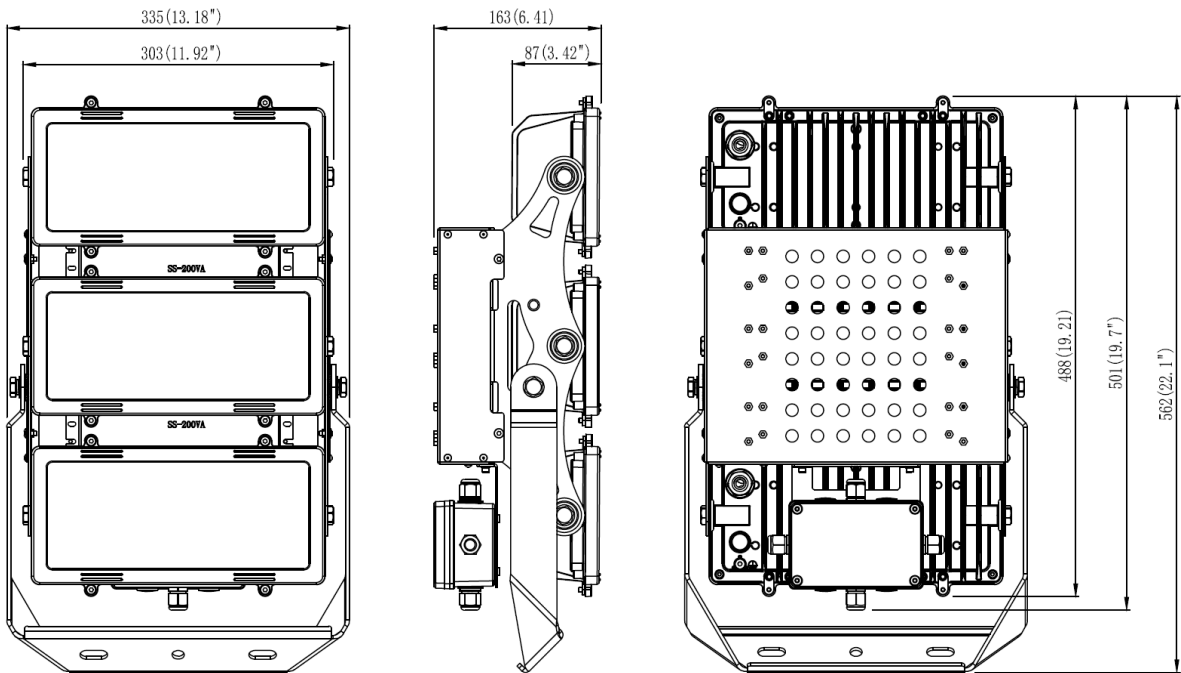
AE-SP-AH-400W



DATE				
PROJECT NAME				
TYPE				
QTY				
ORDERING CODE	AE-SP-AH-	-	-7	-010-SV

PRODUCT DIMENSIONS

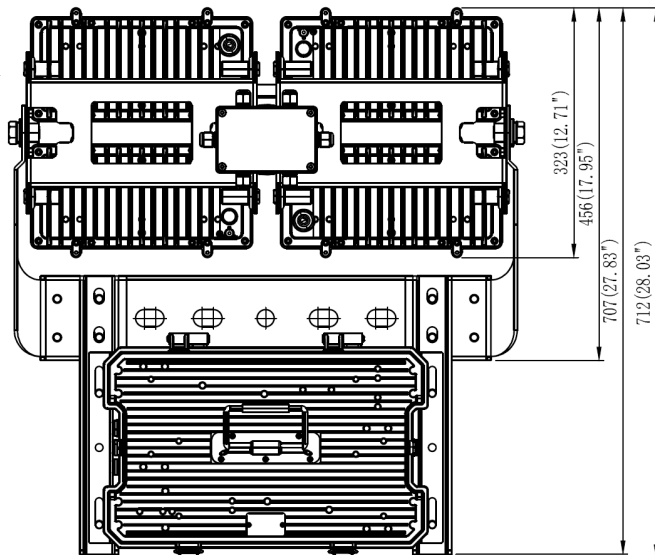
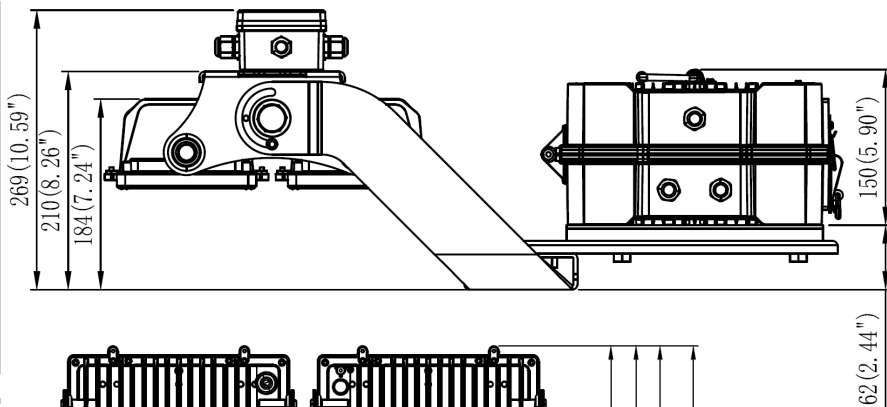
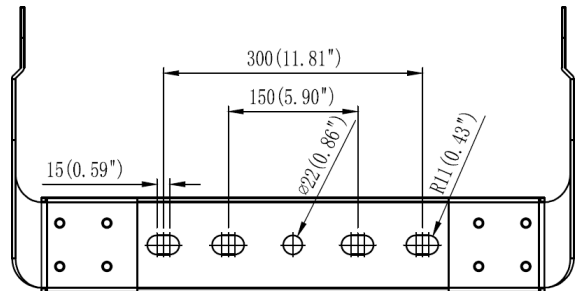
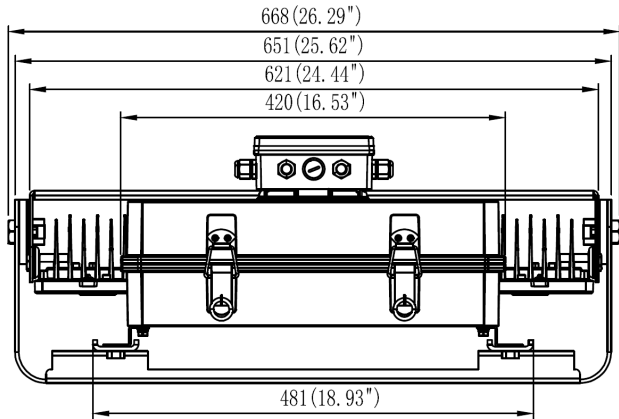
AE-SP-AH-600W



DATE	
PROJECT NAME	
TYPE	
QTY	
ORDERING CODE	AE-SP-AH- - -7 -010-SV

PRODUCT DIMENSIONS

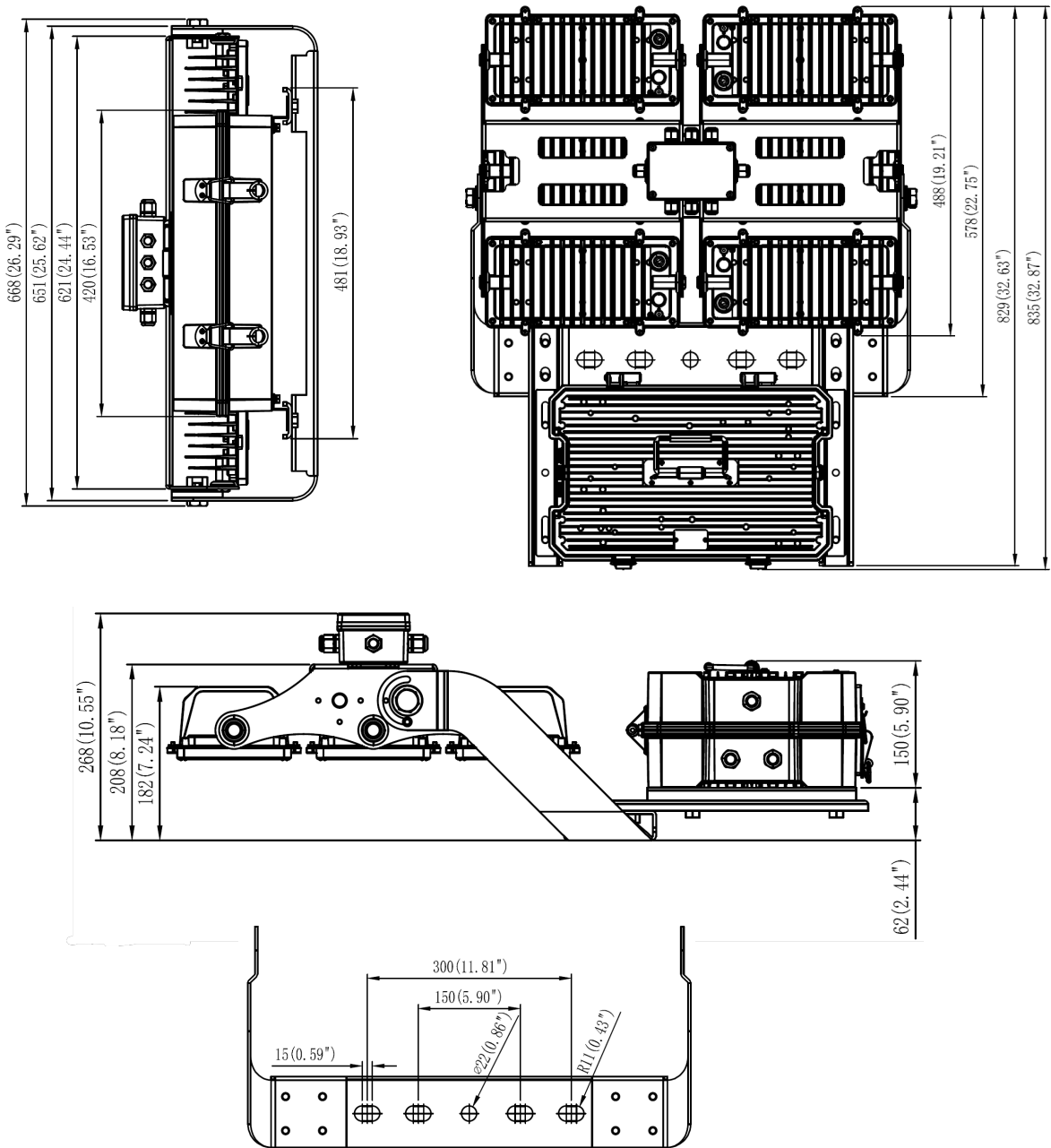
AE-SP-AH-800W



DATE	
PROJECT NAME	
TYPE	
QTY	
ORDERING CODE	AE-SP-AH- - -7 - -010-SV

PRODUCT DIMENSIONS

AE-SP-AH-1200W



DATE					
PROJECT NAME					
TYPE					
QTY					
ORDERING CODE	AE-SP-AH-	-	-7		-010-SV

LUMEN ESTIMATE

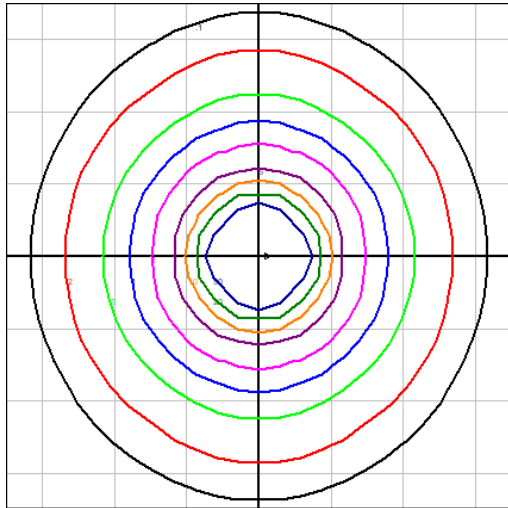
Lumen output varies based on CCT and CRI. An estimate of lumen output of the various CCT/CRI combinations, use correction factors as per table below:

LUMEN ESTIMATE ADJUSTMENT FACTORS		
CCT	4000K	5000K
70 CRI	0.97	1.00

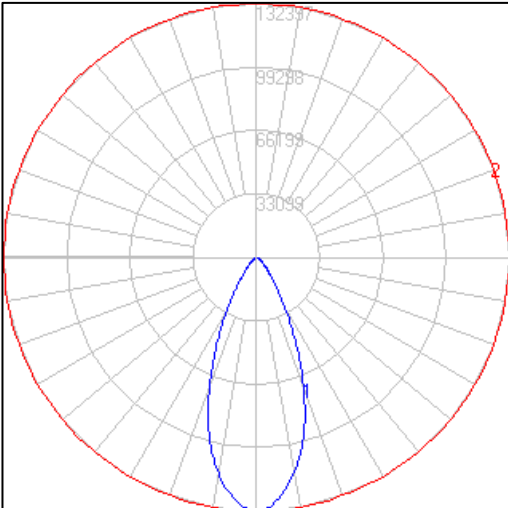
PHOTOMETRIC DATA

AE-SP-AH-600-45-750-010-SV

GRID DISTANCES WITH A MOUNTING HEIGHT OF 10' AFG



POLAR LUMINOUS INTENSITY GRAPHS



DATE	
PROJECT NAME	
TYPE	
QTY	
ORDERING CODE	AE-SP-AH- - -7 -010-SV

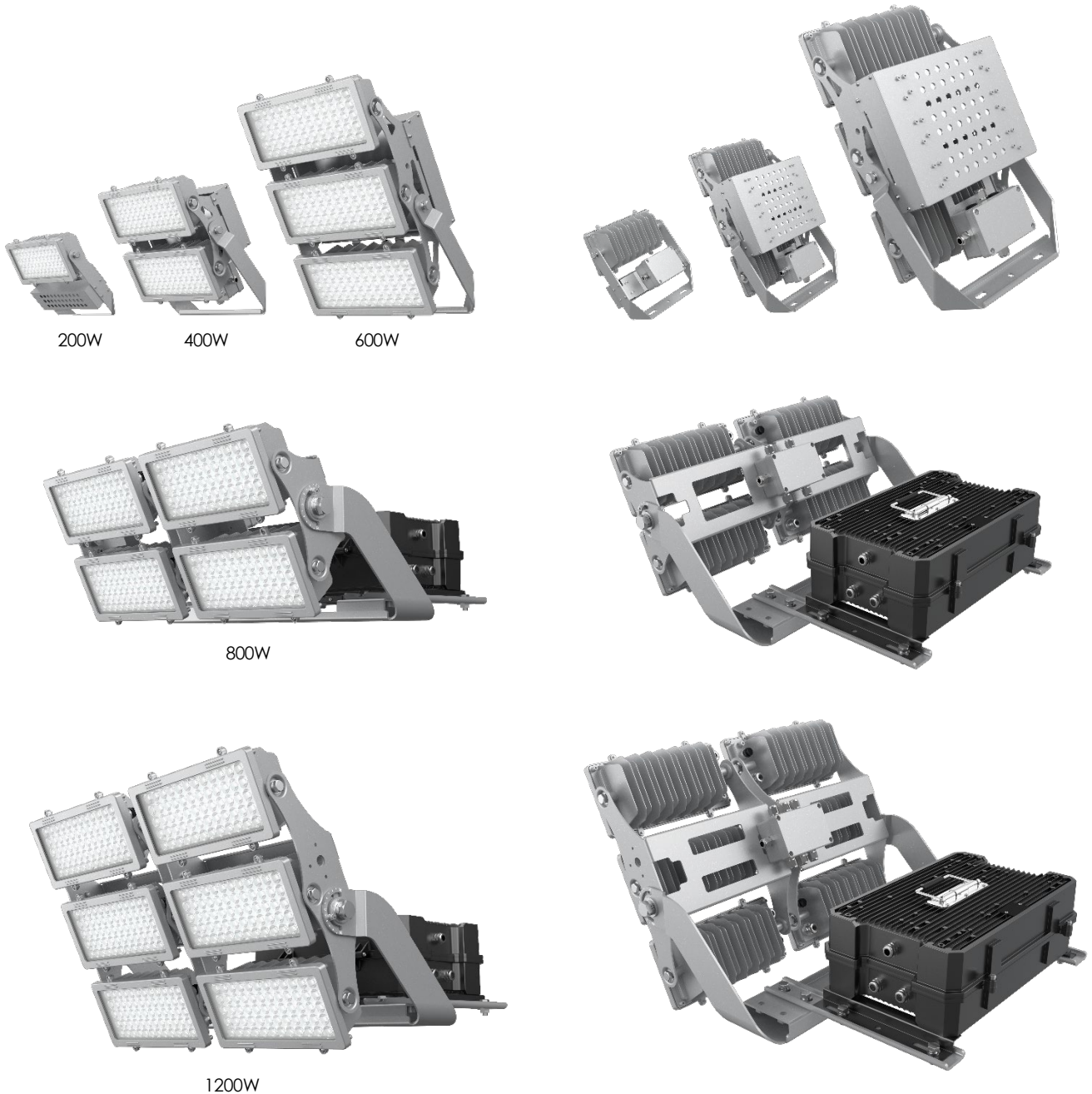
DLC MODELS

DLC MODELS	PRODUCT ID
AE-SP-AH-1200-30-740-HV	S-4V95NP
AE-SP-AH-1200-30-750-HV	S-RJD45S
AE-SP-AH-1200-45-750-HV	S-TST1TR
AE-SP-AH-200-60-740	S-FZZP5H
AE-SP-AH-200-30-750-HV	S-2NHY2F
AE-SP-AH-400-30-750	S-7R3Z0L
AE-SP-AH-400-60-750-HV	S-VKFB5K
AE-SP-AH-600-45-740	S-T8042Y
AE-SP-AH-600-30-750	S-CZRNVL
AE-SP-AH-600-30-750-HV	S-8MSDNR
AE-SP-AH-600-60-750-HV	S-4GPNCZ
AE-SP-AH-800-30-740-HV	S-YV0JT3
AE-SP-AH-800-45-740	S-8MDJX1
AE-SP-AH-800-60-740	S-CZ7QJS
AE-SP-AH-800-30-750-HV	S-KSVXBS
AE-SP-AH-1200-60-740-HV	S-SDQ6L9
AE-SP-AH-1200-45-750	S-KXSPR6
AE-SP-AH-200-30-740	S-03WLXQ
AE-SP-AH-400-30-740	S-CBQBHH
AE-SP-AH-400-30-740-HV	S-SHQYRW
AE-SP-AH-400-45-740	S-B9D8GV
AE-SP-AH-400-30-750-HV	S-B2W99J
AE-SP-AH-400-45-750-HV	S-1JN48C
AE-SP-AH-600-30-740	S-52W37J
AE-SP-AH-600-45-740-HV	S-BQ1TQG
AE-SP-AH-600-60-740	S-ZGNSZH
AE-SP-AH-600-60-750	S-4F8F2F
AE-SP-AH-800-45-740-HV	S-NX3Z42
AE-SP-AH-800-60-740-HV	S-1XLH3P
AE-SP-AH-800-30-750	S-NPCRZZ

DLC MODELS	PRODUCT ID
AE-SP-AH-800-45-750	S-QH9PGN
AE-SP-AH-800-60-750	S-MD3SDK
AE-SP-AH-1200-30-740	S-L7RF57
AE-SP-AH-1200-45-740	S-32BV1D
AE-SP-AH-1200-60-740	S-LRB4TH
AE-SP-AH-1200-60-750-HV	S-XH8L8N
AE-SP-AH-200-30-740-HV	S-X0Y85Y
AE-SP-AH-200-45-740-HV	S-FBV8Z5
AE-SP-AH-200-60-740-HV	S-BF6H3C
AE-SP-AH-200-30-750	S-4TZ2B8
AE-SP-AH-200-60-750-HV	S-R27FCD
AE-SP-AH-600-45-750-HV	S-Z87TB5
AE-SP-AH-800-30-740	S-16VORS
AE-SP-AH-800-45-750-HV	S-WBG8MB
AE-SP-AH-1200-45-740-HV	S-75442S
AE-SP-AH-1200-30-750	S-3L2HVL
AE-SP-AH-1200-60-750	S-4CJPK0
AE-SP-AH-200-45-740	S-14TNHS
AE-SP-AH-200-45-750	S-3NM7MK
AE-SP-AH-200-45-750-HV	S-NRFYFB
AE-SP-AH-200-60-750	S-VC61Q0
AE-SP-AH-400-45-740-HV	S-D7MX08
AE-SP-AH-400-60-740	S-3FJ6QR
AE-SP-AH-400-60-740-HV	S-0K03TP
AE-SP-AH-400-45-750	S-ZJ2XLN
AE-SP-AH-400-60-750	S-LPW3SM
AE-SP-AH-600-30-740-HV	S-VLRKJJ
AE-SP-AH-600-60-740-HV	S-SWYSWK
AE-SP-AH-600-45-750	S-LFJQH9
AE-SP-AH-800-60-750-HV	S-XP13D4

DATE					
PROJECT NAME					
TYPE					
QTY					
ORDERING CODE	AE-SP-AH-	-	-7		-010-SV

OVERVIEW



200W

400W

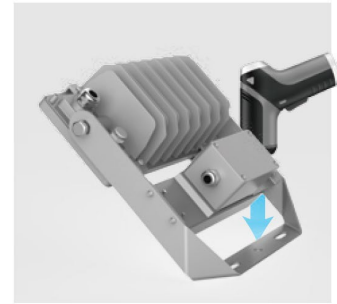
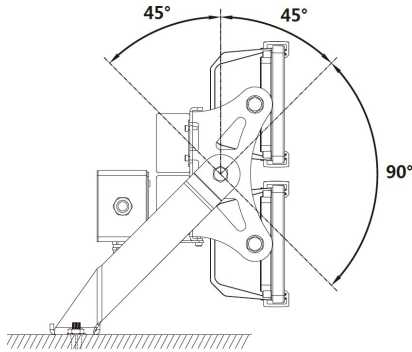
600W

800W

1200W

DATE				
PROJECT NAME				
TYPE				
QTY				
ORDERING CODE	AE-SP-AH-	-	-7	-010-SV

OVERVIEW



EXTRAORDINARY AMING FLEXIBILITY

Each module can be rotated separately, with 180°adjustable mounting bracket, you could achieve any lighting distribution results.

HUMAN-CENTERED DESIGN

The rotatable bracket allows easy installation that could save you some valuable time and human resources. Light-weight fixture (4.1KG for 200W and 15.3KG for 600W) makes the installation easier.

LIGHT POLLUTION CONTROL

Optional visor provides lighting pollution control.

HIGH POWER AND NARROW BEAM ANGLE

Narrow beam angle of 10°or 15°offers a perfect lighting solution in places like large Plazas, outdoor and indoor stadium, where mounting height is 20m or more.

HIGH-EFFICACY

Performance up to 140 lumens per watt gives great energy savings for your project space.