

# ATLANTIS

## LINEAR LED LIGHT

### Recessed Gypsum Linear | 2" Aperture

The Atlantis Series is a recessed linear fixture that adds an elegant touch to any indoor commercial office. Its exposed driver and removable lens simplify the installation process. Designed for mounting in gypsum ceilings or walls, this Non-IC rated series is available in five lengths: 3, 4, 5, 6, and 8 feet, with each length offering its own power options. Additionally, the Atlantis Series comes in three finishes: white, black, and silver. Applications: Art Galleries | Office | Retail Stores | Hospitality.

	DATE	QTY	ACC. QTY	TYPE
PROJECT				
PN				
ACCESSORY PN				
NOTES				



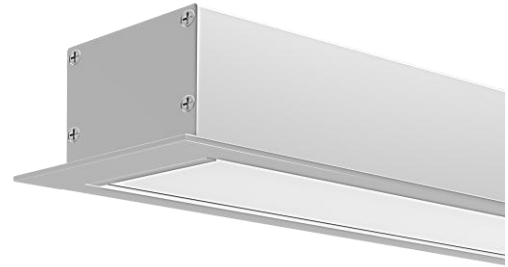
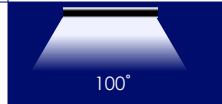
### DYNAMIC MENU

Order Information	<a href="#">Page 2</a>
Dimensions	<a href="#">Page 4</a>
Accessories	<a href="#">Page 7</a>
Photometric Data	<a href="#">Page 8</a>

[Install Instruction link](#)

### SPECIFICATIONS

Input Voltage	120-277V				
Power Factor	>0.9				
Total Harmonic Distortion	<20%				
Dimming	0-10V dimming				
CRI	80 CRI				
CCT	<span>30K</span> <span>35K</span> <span>40K</span>				
Efficacy	~85-89 LPW				
Length (Feet)	3	4	5	6	8
Power (Watt)	23	32	40	46	62
Ambient Temperature Range	-10°C to 40°C				
Mounting Options	Recessed Dry Wall				
Fixture Finish	Black   White   Silver 				
Custom Design	T, X, L shapes Inner corner L   Outer corner L Continuous length				
UGR	<19				



### PRODUCT FEATURES



Emergency backup battery

### PRODUCT CERTIFICATIONS



### SYSTEM WARRANTY – 5 YEARS

Eralux will warrant defective drivers, LEDs and boards for 5 years from the date of purchase. This warranty is valid only if the fixture is installed and used as per installation guides and specifications. If a defect is present, Eralux will send drivers and boards at no fee with a thorough replacement instructions along with instructions on the return of the defective parts back to Eralux.

### LUMEN MAINTENANCE – L85 at 50,000 hours

Rated for 85% initial lumen output at 50,000 hours of operation, operated at 25°C ambient temperature; per guidelines published by the Illuminating Engineering Society (IES).

## LINEAR LED LIGHT

Recessed Gypsum Linear | 2" Aperture



### ORDERING GUIDE

AE-SF-ATL				
<b>AE-SF-ATL</b> ERALUX Atlantis Linear Architectural Fixture  120-277V input voltage	<b>30</b> 3000K <b>35</b> 3500K <b>40</b> 4000K	<b>3   23</b> 3ft   23W   1,955 lm <b>4   32</b> 4ft   32W   2,720 lm <b>5   40</b> 5ft   40W   3,400 lm <b>6   46</b> 6ft   46W   4,080 lm <b>8   62</b> 8ft   62W   5,440 lm <b>C</b> Continuous length increment of 1ft (Select or type the length then click on 'C')	<b>WH</b> White <b>BK</b> Black <b>SV</b> Silver	<b>[BLANK]</b> Standard 0-10V Dimming <b>1DIM</b> 1% Dimming
<b>Fixture Family</b>	<b>CCT</b>	<b>Size   Power</b>	<b>Finish</b>	<b>Dimming</b>



### ORDERING GUIDE

AE-SF-ATL			
<b>AE-SF-ATL</b> ERALUX ATLANTIS Linear Architectural Fixture	<b>30</b> 3000K <b>35</b> 3500K <b>40</b> 4000K	<b>90N   32</b> Inner L Shape   32 Watts   2,720 lm <b>90W   32</b> Outer L Shape   32 Watts   2,720 lm <b>90L   32</b> L Shape   32 Watts   2,720 lm <b>T   46</b> T Shape   46 Watts   4,080 lm <b>X   62</b> X Shape   62 Watts   5,440 lm	<b>WH</b> White <b>BK</b> Black <b>SV</b> Silver
<b>Fixture Family</b>	<b>CCT</b>	<b>Shape and Power</b>	<b>Finish</b>

#### CAUTION

- If there are multiple fixtures connected to the same 0-10V dimming line, a 0-10V controller must be considered to enable consistent dimming across the fixtures. Failure to do so will lead to inconsistent dimming and behaviors in the fixtures. Single switch is not recommended for controlling multiple fixtures simultaneously.
- Maximum of 700W per electrical drop.

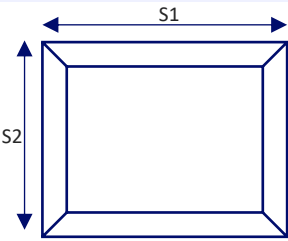
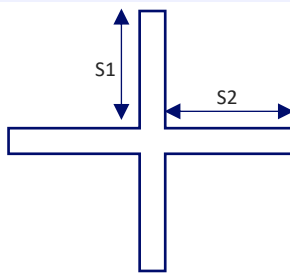
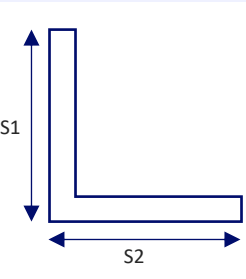
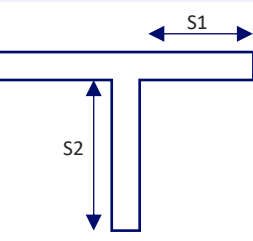
## LINEAR LED LIGHT

Recessed Gypsum Linear | 2" Aperture



### ORDERING GUIDE CUSTOM DESIGN

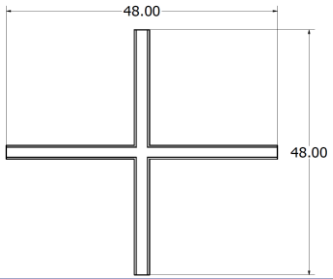
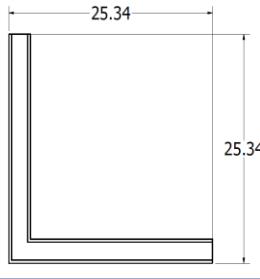
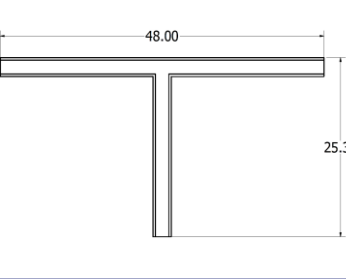
<b>AE-SF-ATL</b>					
<b>AE-SF-ATL</b> ERALUX Atlantis Linear Architectural Fixture  120-277V input voltage	<b>30</b> 3000K <b>35</b> 3500K <b>40</b> 4000K	Specify dimension of S1 (Select or type the length )	- Specify dimension of S2 (Select or type the length)	<b>-R</b> Rectangular shape <b>-L</b> L-shape <b>-T</b> T-shape <b>-X</b> X-shape	<b>WH</b> White <b>BK</b> Black <b>SV</b> Silver

Fixture Family	CCT	Side 1	Side 2	Design	Finish
<b>Rectangle</b>		<b>X - Shape</b>	<b>L - Shape</b>	<b>T - Shape</b>	
					
For square , S1 equal to S2. S1 & S2 > 4ft		Symmetrical sides S1 & S2 > 2ft	For equal sides , S1 equal to S2. S1 & S2 > 2ft	Symmetrical side S1 & S2 > 2ft	

#### NOTES

- For more complex designs, contact factory.
- The precise dimensions will be provided by factory upon request.

### SHAPE CONNECTORS

X	L	T
		
Used for X-shape Designs	Used for L-shape and rectangular Designs	Used for T-shape Designs

## LINEAR LED LIGHT

Recessed Gypsum Linear | 2" Aperture


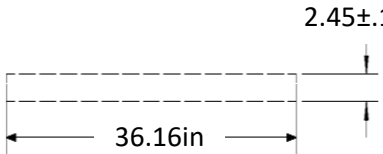
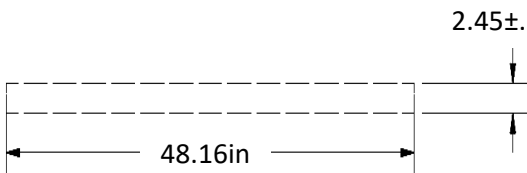
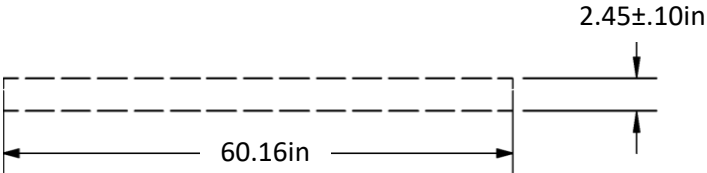
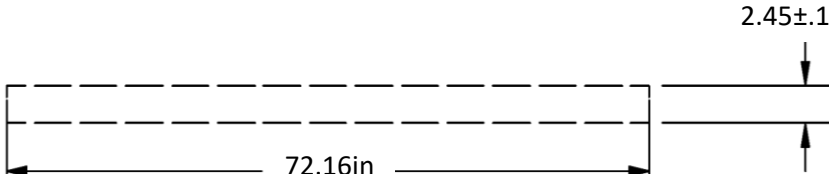
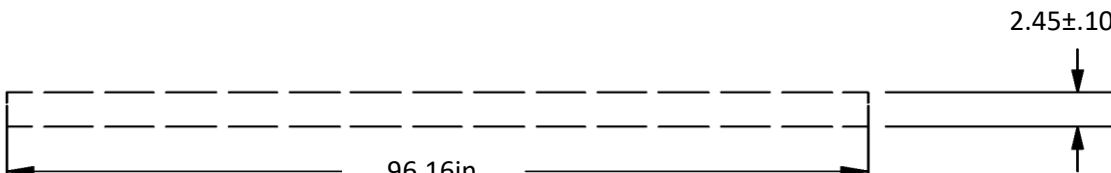
### DIMENSIONS

SIZE	TOP/BOTTOM VIEW	SIDE VIEW
3FT		
4FT		
5FT		
6FT		
8FT		
NOTES	<p>For the ATLANTIS to be installed , a minimum clearance in the ceiling is needed. Clearance should be greater than 2.64 inches</p>	

## LINEAR LED LIGHT

Recessed Gypsum Linear | 2" Aperture

### CUTOUT DIMENSIONS

SIZE	 <span style="border: 1px dashed white; padding: 2px;">CEILING CUT OUT</span>
3FT	
4FT	
5FT	
6FT	
8FT	

#### DIMENSIONS Custom Shapes

SHAPES	DIMENSION	PICTURE
<b>L-SHAPE</b>		
<b>Outer Corner L Shape</b>		
<b>Inner Corner L Shape</b>		
<b>T Shape</b>		
<b>X Shape</b>		

## LINEAR LED LIGHT

Recessed Gypsum Linear | 2" Aperture

### CONTROLS

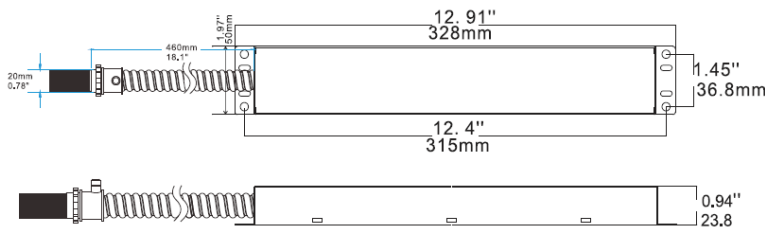
Ordered separately, field installed

### EMERGENCY LED DRIVER

BLD-HM8D-YYY



The BLD-HMXXD-YYY series LED Emergency Driver is UL listed for field and factory installations. It switches to emergency mode during power failures, providing up to 90 minutes of lighting. With an integrated battery, charger, and converter, it delivers 6-25W constant power at 170VDC. Ideal for 0-10V dimmable indoor commercial LED fixtures, such as flat panels, troffers, downlights, and linear strip lights.

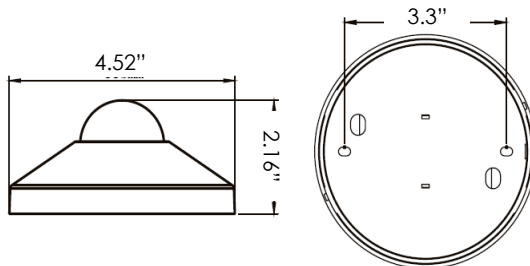


SPECIFICATIONS	
Input Voltage	100-347 Vac
Power Frequency	50/60HZ
Input Power	8W max
Output Voltage	170V Dc
Output Power	8W
Ambient Temperature	0°C to 50°C
	30°F to 122°F
Installation	Remote

### ROOM OCCUPANCY SENSOR

Ordered separately, field installed

PART NUMBER	DESCRIPTION
AE-CT-DT806	Detecta - Room Occupancy Sensor
RC102	RC102 Remote Control



SPECIFICATIONS	
Input Voltage	120-277 Vac
Power Frequency	50/60HZ
Rated Load	At 120 Vac 800W
	At 277 Vac 1200W
Detection Range	3-10 Meters
	9.8- 32.8 Feet
Standby Power	~0.9W
Time Setting	10 sec to 30 min
Light Control	10-2,000LUX
Installation	Ceiling Mounted

## LINEAR LED LIGHT

Recessed Gypsum Linear | 2" Aperture

### LUMEN ESTIMATE

Lumen output varies based on CCT and CRI. An estimate of lumen output of the various CCT/CRI combinations, use correction factors as per table below:

#### LUMEN ESTIMATE ADJUSTMENT FACTORS

CCT	3000K	3500K	4000K
PREMIUM (90CRI)	0.94	0.97	1

### PHOTOMETRIC DATA

PART NUMBER		ZONAL LUMEN SUMMARY			POLAR LUMINOUS INTENSITY	CONE DISTRIBUTION			
AE-SF-ATL-40-432XX		Zone	Lumens	% Fixture	Direct Light	Center Beam Fc	Beam Width		
Wattage	32W	0-20°	301.98	14.7		1.7ft	291 fc	4.1 ft	3.6 ft
CCT	4000K	0-30°	625.8	30.5		3.3ft	77.3 fc	8.0 ft	6.9 ft
Distribution	97"	0-40°	994.67	48.5		5.0ft	33.7 fc	12.1 ft	10.5 ft
Length	4ft	0-60°	1658.56	80.9		6.7ft	18.8 fc	16.3 ft	14.1 ft
		0-80°	1996.49	97.4		8.3ft	12.2 fc	20.2 ft	17.5 ft
		0-90°	2025.1	98.8		10.0ft	8.42 fc	24.3 ft	21.0 ft
						■ Vert. Spread: 101.1° ■ Horiz. Spread: 92.9°			
AE-SF-ATL-40-540XX		Zone	Lumens	% Fixture	Direct Light	Center Beam Fc	Beam Width		
Wattage	40W	0-20°	402.84	14.7		1.7ft	389 fc	4.1 ft	3.6 ft
CCT	4000K	0-30°	834.83	30.5		3.3ft	103 fc	8.0 ft	6.9 ft
Distribution	97"	0-40°	1326.9	48.5		5.0ft	44.9 fc	12.1 ft	10.5 ft
Length	5ft	0-60°	2212.54	80.9		6.7ft	25 fc	16.3 ft	14.1 ft
		0-80°	2663.34	97.4		8.3ft	16.3 fc	20.2 ft	17.5 ft
		0-90°	2701.5	98.8		10.0ft	11.2 fc	24.3 ft	21.0 ft
						■ Vert. Spread: 101.1° ■ Horiz. Spread: 92.9°			
AE-SF-ATL-40-646XX		Zone	Lumens	% Fixture	Direct Light	Center Beam Fc	Beam Width		
Wattage	46W	0-20°	604.02	14.7		1.7ft	583 fc	4.1 ft	3.6 ft
CCT	4000K	0-30°	1251.73	30.5		3.3ft	155 fc	8.0 ft	6.9 ft
Distribution	97"	0-40°	1989.54	48.5		5.0ft	67.3 fc	12.1 ft	10.5 ft
Length	6ft	0-60°	3317.46	80.9		6.7ft	37.5 fc	16.3 ft	14.1 ft
		0-80°	3993.39	97.4		8.3ft	24.4 fc	20.2 ft	17.5 ft
		0-90°	4050.6	98.8		10.0ft	16.8 fc	24.3 ft	21.0 ft
						■ Vert. Spread: 101.1° ■ Horiz. Spread: 92.9°			
AE-SF-ATL-40-862XX		Zone	Lumens	% Fixture	Direct Light	Center Beam Fc	Beam Width		
Wattage	62W	0-20°	805.36	14.7		1.7ft	777 fc	4.1 ft	3.6 ft
CCT	4000K	0-30°	1668.98	30.5		3.3ft	206 fc	8.0 ft	6.9 ft
Distribution	97"	0-40°	2652.73	48.5		5.0ft	89.8 fc	12.1 ft	10.5 ft
Length	8ft	0-60°	4423.29	80.9		6.7ft	50 fc	16.3 ft	14.1 ft
		0-80°	5324.52	97.4		8.3ft	32.6 fc	20.2 ft	17.5 ft
		0-90°	5400.81	98.8		10.0ft	22.4 fc	24.3 ft	21.0 ft
						■ Vert. Spread: 101.1° ■ Horiz. Spread: 92.9°			



## LINEAR LED LIGHT

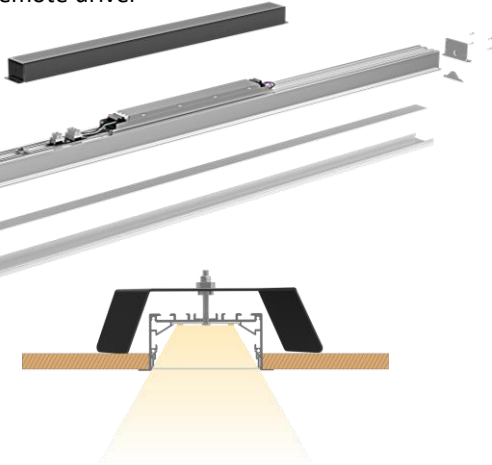
Recessed Gypsum Linear | 2" Aperture

### OVERVIEW



#### Innovative Design

- Extruded aluminum housing for better heat dissipation.
- Highly durable polycarbonate and high transmittance lens.
- Remote driver



#### Features

- The Atlantis fixture has a Unified Glare Rating (UGR) of 19 or less



#### Multiple Options

- Four standard length available; 3 to 8ft.
- Three CCT.
- Black, white & silver finish.

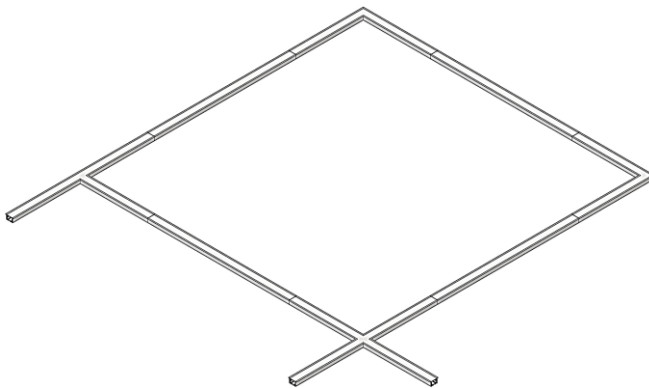


Emergency backup battery



#### Custom Design

- Continuous lens; increment of 1'
- L, T, X, & rectangular shapes



#### Mountings Available

- Recessed



#### Tests And Certifications

