

# BROMO

## OUTDOOR LED LIGHT

### Architectural Full Cut-Off Wall Pack | Power & CCT Switchable

The Bromo outdoor light features a durable aluminum die-cast housing with heat-dissipating fins, CCT switchable (30K/40K/50K), and power switchable (120-347V). Available in black, white, and bronze, it includes a photocell, emergency battery backup, and a pre-installed AUX base for a motion sensor. Protected against dust, water jets, and impact for long-lasting outdoor use.

Applications: Garage door | Building contour | Man door

eralux®

	DATE	QTY	TYPE
PROJECT			
PN			
NOTES			



#### DYNAMIC MENU

Order Information	<a href="#">Page 2</a>
Dimensions	<a href="#">Page 2</a>
Accessories	<a href="#">Page 3</a>
Photometric Data	<a href="#">Page 4</a>

[Install Instruction link](#)

#### SPECIFICATIONS

Input Voltage	120-347V
Power Factor	>0.9
Total Harmonic Distortion	<20%
Dimming <a href="#">Page 5</a>	0-10V dimming
CRI	80 CRI
CCT	<div style="display: flex; gap: 10px;"> <div style="border: 1px solid black; border-radius: 50%; width: 20px; height: 20px; background-color: #fff9c4; display: flex; align-items: center; justify-content: center;">30K</div> <div style="border: 1px solid black; border-radius: 50%; width: 20px; height: 20px; background-color: #e0e0e0; display: flex; align-items: center; justify-content: center;">40K</div> <div style="border: 1px solid black; border-radius: 50%; width: 20px; height: 20px; background-color: #e0e0e0; display: flex; align-items: center; justify-content: center;">50K</div> </div>
Efficacy	~130 lm/W
Power (W)	40/28/15W
Ambient Temperature Range	-40°C to 50°C
Mounting Options	Wall Mount
Fixture Finish	Black   White   Bronze 
Controls	Integrated Photocell Emergency Battery Back up Motion Sensor
Protection	IP65; water and dust resistance IK08; impact resistance
Surge Protector	4KVA
Lens	Polycarbonate lens
Distribution	90°



#### PRODUCT FEATURES



#### PRODUCT CERTIFICATIONS



Design Lights Consortium® (DLC) qualified product. Not all versions of this product may be DLC qualified. Please check the DLC Qualified Products List at [www.designlights.org/QPL](http://www.designlights.org/QPL) to confirm which versions are qualified"

#### SYSTEM WARRANTY – 5 YEARS

Eralux will warrant defective drivers, LEDs and boards for 5 years from the date of purchase. This warranty is valid only if the fixture is installed and used as per installation guides and specifications. If a defect is present, Eralux will send drivers and boards at no fee with a thorough replacement instructions along with instructions on the return of the defective parts back to Eralux.

#### LUMEN MAINTENANCE – L70 at 50,000 hours

Rated for 70% initial lumen output at 50,000 hours of operation, operated at 25°C ambient temperature; per guidelines published by the Illuminating Engineering Society (IES).

## OUTDOOR LED LIGHT

Architectural Full Cut-Off Wall Pack | Power & CCT Switchable

### ORDERING GUIDE

<b>AE-WP-BR</b>	<b>-40W</b>		<b>-CA</b>		
<b>AE-WP-BR</b> ERALUX BROMO Outdoor Wall pack Light	<b>-40W</b> 15/28/40W 1,650/3,640/5,200lm	<b>-TCP</b> CCT Selectable 3000/4000/5000K <b>-TCP-30K</b> 3000K For Darksky compliant	<b>-CA</b> 120-347 VAC Input voltage	<b>-D</b> 0-10V Dimming <b>-EM</b> Emergency Battery Back up <b>-MS</b> Motion Sensor	<b>-BK</b> Black <b>-BZ</b> Bronze <b>-WH</b> White
<b>Fixture Family</b>	<b>Power</b>	<b>CCT</b>	<b>Input Voltage</b>	<b>Control</b>	<b>Finish</b>

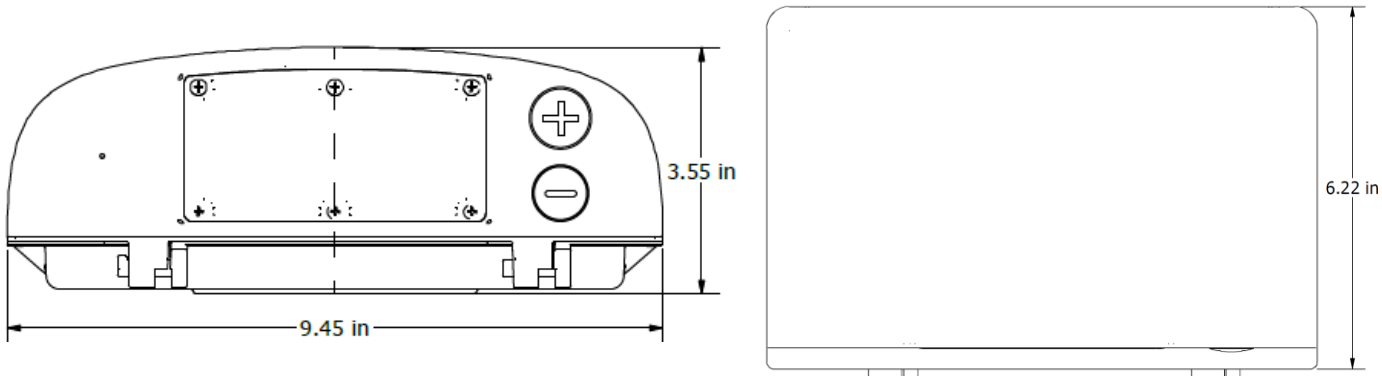
### NOTES

- Emergency Battery Backup is integrated in the fixture.
- Emergency Battery Backup has 8W power output
- BROMO has integrated photocell that can be tuned on/off on field upon desire
- **For the DarkSky compliant the CCT will be fixed at 3000K.**

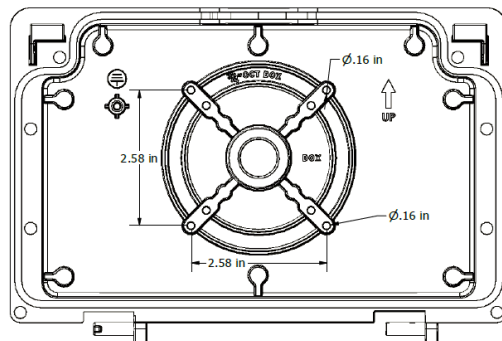


### DIMENSIONS

AE-WP-BR-40W-TCP-CA-X-XX



### BACK PLATE INSTALLATION



## OUTDOOR LED LIGHT

Architectural Full Cut-Off Wall Pack | Power & CCT Switchable

### DARK SKY COMPLIANT

The fixture must be at 3000K CCT to be compliant with DARKSKY.  
Contact factory to fix the CCT at 30K

### Dark Sky Features

Restrict the amount of upward-Directed light

Reduce Glare

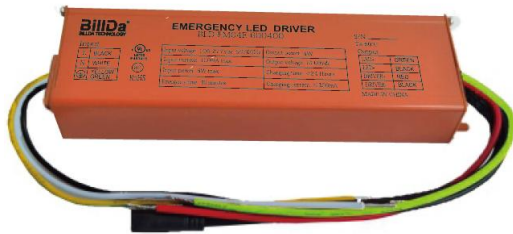
Reduce Light Pollution



**DARKSKY APPROVED**  
Reduces light pollution  
Certified by DarkSky.org

### ACCESSORIES

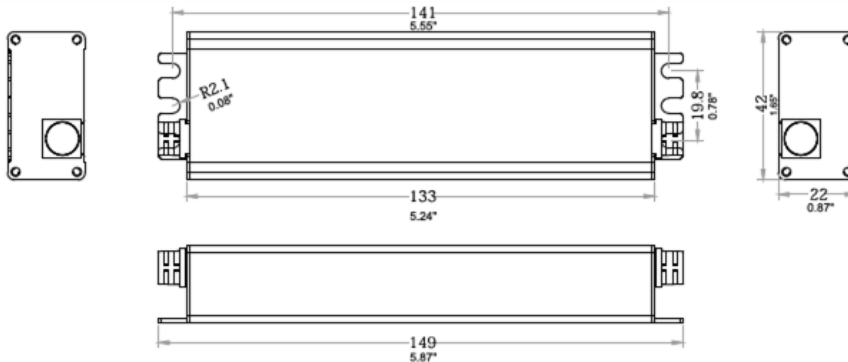
#### EMERGENCY LED DRIVER



### SPECIFICATION

<b>Input Voltage</b>	100-277Vac
<b>Input Current</b>	100mA max
<b>Recharge Time</b>	24Hrs
<b>Discharge Time</b>	1.5Hrs
<b>Output Power</b>	4W
<b>Output Voltage</b>	10-60Vdc
<b>Installation</b>	Integrated

### DIMENSIONS



## OUTDOOR LED LIGHT

Architectural Full Cut-Off Wall Pack | Power & CCT Switchable

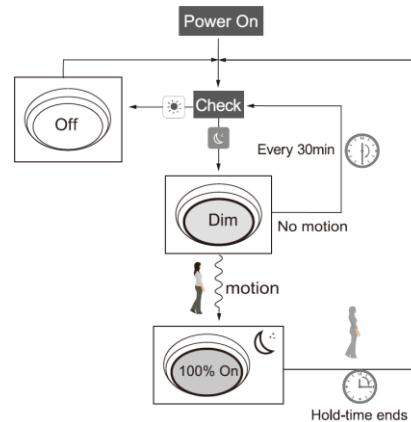
### ACCESSORIES

#### MOTION SENSOR

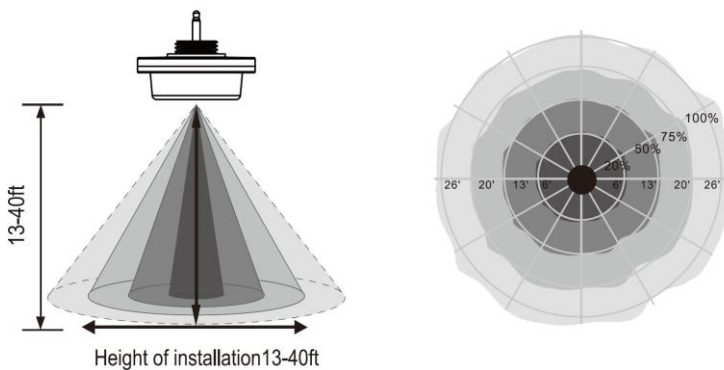
CODE	DESCRIPTION	PICTURE
AE-IL-SB2-CA-MOTIONSENSOR	Plug in low-voltage microwave motion sensor	
AE-IL-SB2-CA-REMOTE-CTRL	Remote control for the motion sensor	

#### Factory mode

Factory Default Setting	
Sensitivity	100%
Hold on time	5 min
Daylight Sensor	ON
Dimming level	30%
Dimming time	30 min



#### Area Coverage



## OUTDOOR LED LIGHT

Architectural Full Cut-Off Wall Pack | Power & CCT Switchable

### PHOTOMETRIC DATA

PART NUMBER		ZONAL LUMEN SUMMARY			POLAR LUMINOUS INTENSITY
AE-WP-BR-4OW-TCP-CA-XX-X		Zone	Lumens	% Fixture	
Wattage	15W	0-20°	342.25	15.3	
CCT	4000K	0-30°	722.77	32.3	
Lumens	1,650 lm	0-40°	1146.31	51.2	
CRI	80	0-60°	1853.66	82.8	
		0-80°	2203.93	98.5	
		0-90°	2238.55	100	

CONE DISTRIBUTION			ISO FOOTCANDLE PLOT	
Center Beam Fc	Beam Width		Distances are in units of mounting height 15ft	
2.5ft	150 fc	4.5 ft	6.1 ft	
5.0ft	37.5 fc	9.1 ft	12.3 ft	
7.5ft	16.7 fc	13.6 ft	18.4 ft	
10.0ft	9.37 fc	18.2 ft	24.5 ft	
12.5ft	6 fc	22.7 ft	30.7 ft	
15.0ft	4.17 fc	27.2 ft	36.8 ft	
■ Vert. Spread: 84.5° ■ Horiz. Spread: 101.6°				

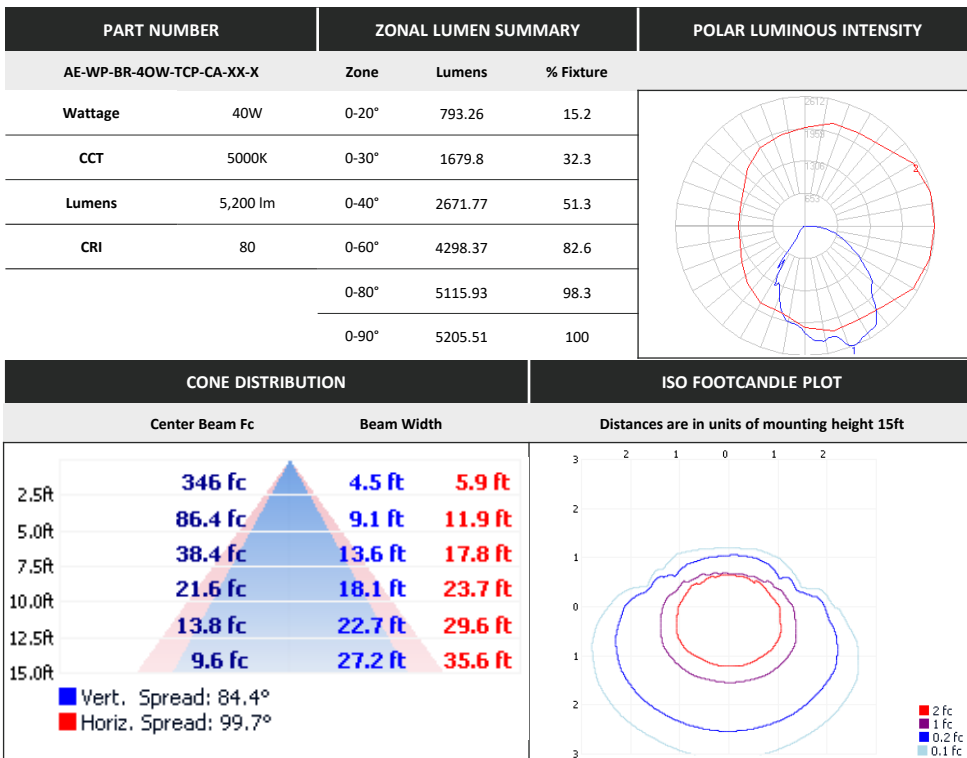
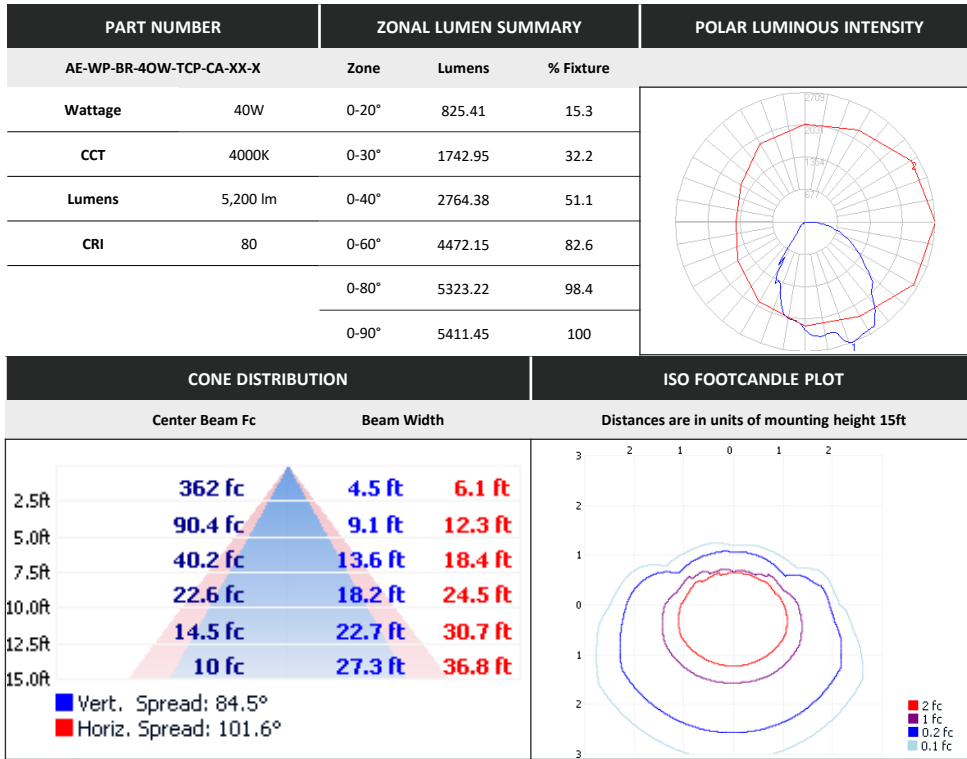
PART NUMBER		ZONAL LUMEN SUMMARY			POLAR LUMINOUS INTENSITY
AE-WP-BR-4OW-TCP-CA-XX-X		Zone	Lumens	% Fixture	
Wattage	28W	0-20°	602.36	15.3	
CCT	4000K	0-30°	1271.94	32.3	
Lumens	3,640 lm	0-40°	2017.33	51.2	
CRI	80	0-60°	3261.39	82.8	
		0-80°	3876.81	98.5	
		0-90°	3937.38	100	

CONE DISTRIBUTION			ISO FOOTCANDLE PLOT	
Center Beam Fc	Beam Width		Distances are in units of mounting height 15ft	
2.5ft	264 fc	4.5 ft	6.1 ft	
5.0ft	66 fc	9.1 ft	12.3 ft	
7.5ft	29.3 fc	13.6 ft	18.4 ft	
10.0ft	16.5 fc	18.1 ft	24.6 ft	
12.5ft	10.6 fc	22.7 ft	30.7 ft	
15.0ft	7.33 fc	27.2 ft	36.8 ft	
■ Vert. Spread: 84.4° ■ Horiz. Spread: 101.7°				

## OUTDOOR LED LIGHT

Architectural Full Cut-Off Wall Pack | Power & CCT Switchable

### PHOTOMETRIC DATA



## OUTDOOR LED LIGHT

Architectural Full Cut-Off Wall Pack | Power & CCT Switchable

### OVERVIEW



#### Innovative Design

- Aluminum die cast housing and fins for better heat dissipation



#### Multiple Options

- CCT Switchable ; 30/40/50K
- Black, white & bronze finish
- Power Switchable



#### Protection

- Protected against dust ingress.
- Protected against water jets
- Impact resistant



#### Accessories

- Integrated photocell
- Integrated Emergency Battery Back up
- Plug in Motion sensor



Emergency backup battery



Integrated Photocell



Motion Sensor



#### Dark Sky

- Dark sky compliance with 3000K CCT and black finish
- Limited upward-directed light



**DARKSKY APPROVED**  
Reduces light pollution  
Certified by DarkSky.org



#### Tests And Certifications



DLC MODEL	PRODUCT ID	TYPE
AE-WP-BR-40W-TCP-CA-YY-ZZ	S-8N3W99	PREMIUM