

CALLISTO




LED TRACK LIGHT

Pendant Snap-In Track Head | Jupiter Series

The Callisto is a ring-shaped pendant track head compatible with the Jupiter snap-in track, available in a range of CCTs and fixture finishes. Its simple snap-in design allows for quick, straightforward installation. With its elegant design and adjustable tilt and suspension length, the Callisto is a customizable and attractive addition to any space.

Applications: Art Galleries | Show Rooms | Retail Stores | Hospitality

	DATE	QTY	ACC. QTY	TYPE
PROJECT				
PN				
ACCESSORY PN				
NOTES				

 DYNAMIC MENU	
Order Information	Page 2
Dimensions	Page 3
Photometric Data	Page 3

[Install Instruction Link](#)

SPECIFICATIONS

Input Voltage	DC 48V
Power Factor	>0.9
Total Harmonic Distortion	<20%
Dimming	0-10V dimming possible with external driver (ordered separately)
CRI	90 CRI
CCT	<div style="display: flex; gap: 10px;"> <div style="border: 1px solid black; border-radius: 50%; width: 20px; height: 20px; background-color: #fff9c4; display: flex; align-items: center; justify-content: center;">30K</div> <div style="border: 1px solid black; border-radius: 50%; width: 20px; height: 20px; background-color: #bbdefb; display: flex; align-items: center; justify-content: center;">40K</div> </div>
Efficacy	62 LPW
Power	4.5W
Mounting Adapter	Jupiter snap-in track
Fixture Finish	Black White
Housing Material	Die-cast aluminum
Distribution	114°



PRODUCT CERTIFICATIONS



SYSTEM WARRANTY – 3 YEARS

Eralux will warrant defective drivers, LEDs and boards for 3 years from the date of purchase. This warranty is valid only if the fixture is installed and used as per installation guides and specifications. If a defect is present, Eralux will send drivers and boards at no fee with a thorough replacement instructions along with instructions on the return of the defective parts back to Eralux.

LUMEN MAINTENANCE – L70 at 55,000 hours

Rated for 70% initial lumen output at 55,000 hours of operation, operated at 25°C ambient temperature; per guidelines published by the Illuminating Engineering Society (IES).

LED TRACK LIGHT

Pendant Snap-In Track Head | 3.15" Diameter

ORDERING GUIDE

JP-CA	-5W	-RG		
JP-CA ERALUX Callisto Pendant Snap-In Track Head Jupiter Series	-5W 4.5W 280 lm	-RG 114° Beam Angle	30 3000K 40 4000K	-BK Black Finish -WH White Finish





Fixture Family	Power	Distribution	CCT	Finish
-----------------------	--------------	---------------------	------------	---------------

NOTES

- The Callisto track head does not come with an integral driver. The ELG-75-48AB driver must be ordered separately. See Jupiter track spec sheets for more information.

JUPITER SNAP-IN TRACK SYSTEM

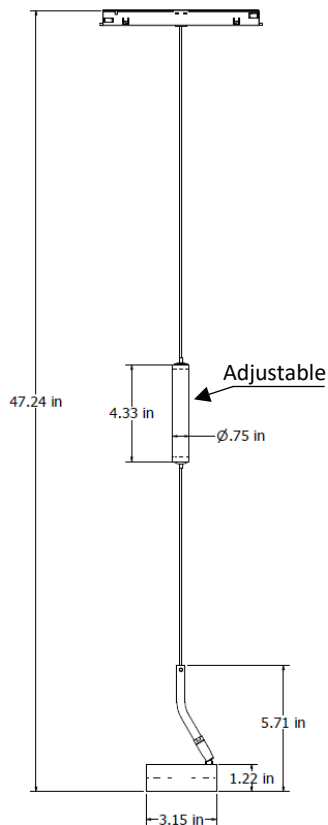
Available in 4ft or 8ft lengths.

MODEL	DEPTH	MOUNTING	PICTURE
<u>ST6</u>	1"	Surface or Suspended	
<u>ST2</u>	2"		
<u>ST8</u>	1"	Recessed	
<u>ST18</u>	2"		

LED TRACK LIGHT

Pendant Snap-In Track Head | 3.15" Diameter

DIMENSIONS



LUMEN ESTIMATE

Lumen output varies based on CCT and CRI. Use correction factors as per table below:

LUMEN ESTIMATE ADJUSTMENT FACTORS

CCT	3000K	4000K
PREMIUM (90CRI)	1	1.06

PHOTOMETRIC DATA

PART NUMBER		ZONAL LUMEN SUMMARY			POLAR LUMINOUS INTENSITY	CONE DISTRIBUTION			
JP-CA-5W-RG30-XX	Zone	Lumens	% Fixture		Direct Light	Center Beam Fc	Beam Width		
Wattage	4.5W	0-20°	30.67	11.0		2.5ft	13.2 fc	7.8 ft	7.6 ft
CCT	3000K	0-30°	64.94	23.3		5.0ft	3.29 fc	15.7 ft	15.2 ft
Distribution	114°	0-40°	105.60	37.9		7.5ft	1.46 fc	23.5 ft	22.8 ft
Lumens	279	0-60°	187.31	67.2		10.0ft	0.82 fc	31.4 ft	30.4 ft
		0-80°	246.89	88.5		12.5ft	0.53 fc	39.2 ft	38.0 ft
		0-90°	263.00	94.3		15.0ft	0.37 fc	47.1 ft	45.6 ft
						■ Vert. Spread: 115.0° ■ Horiz. Spread: 113.4°			