

CHANDRA DTW

eralux®

TRACK LED LIGHT

Cylinder Track Head | 2.5" Aperture | Dim To Warm

The CHANDRA DTW is a cutting-edge fixture from the Chandra family, featuring a dim-to-warm function that transitions from 3000K to a cozy 1800K as it dims. Available in various beam patterns mounting options and boasting a 90 CRI, this fixture enhances your space by the multiple accessories, bezel and fixture finishes. This track head creates an inviting atmosphere reminiscent of a sunset. Elevate your space with the CHANDRA DTW! Applications: Art Galleries | Show Rooms | Retail Stores | Hospitality.

DATE	QTY	ACC. QTY	TYPE
PROJECT			
PN			
ACCESSORY PN			
NOTES			



DYNAMIC MENU

Order Information	Page 2
Dimensions	Page 3
Accessories	Page 4
Photometric Data	Page 6

[Install Instruction link](#)

SPECIFICATIONS

Input Voltage	120-277V
Power Factor	>0.9
Total Harmonic Distortion	<20%
Dimming Page 5	TRIAC dimming
CRI	90 CRI /High GAI
CCT	30K → 18K
Efficacy	~87 lm/W
Power	19.5W
Ambient Temperature Range	-10°C to 35°C
Mounting Adapter	Juno Global Halo Lightolier
Mounting Options	Track System Monopoint
Fixture Finish	Black White Silver
Bezel Finish	Black Bronze Gold
Optical Accessories	Hexcel Snoot
	Narrow Flood Wide Very Wide
Distribution	



PRODUCT FEATURES



PRODUCT CERTIFICATIONS



SYSTEM WARRANTY – 5 YEARS

Eralux will warrant defective drivers, LEDs and boards for 5 years from the date of purchase. This warranty is valid only if the fixture is installed and used as per installation guides and specifications. If a defect is present, Eralux will send drivers and boards at no fee with a thorough replacement instructions along with instructions on the return of the defective parts back to Eralux.

LUMEN MAINTENANCE – L70 at 50,000 hours

Rated for 70% initial lumen output at 50,000 hours of operation, operated at 25°C ambient temperature; per guidelines published by the Illuminating Engineering Society (IES).

TRACK LED LIGHT

Cylinder Track Head | 2.5" Aperture | Dim To Warm



ORDERING GUIDE

AE-TL-CD-DTW	12		P	3018			
AE-TL-CD-DTW ERALUX Chandra DTW Track Head	12 120V 13.5 Watt 1050 lumens	NF Narrow Flood 22° FL Flood 28° WF Wide Flood 38° VWF Wide Flood 60°	P Premium 90 CRI	3018 Dim to warm: 3000k-1800k	[BLANK] Black BZ Bronze GD Gold	J1 Juno G1 Global H1 Halo L1 Lightolier	BK Black powder coat WH White powder coat SV Silver powder Coat

Fixture Family	Wattage	Distribution	CRI	CCT	Bezel Finish	Adapter	Finish
-----------------------	----------------	---------------------	------------	------------	---------------------	----------------	---------------



ORDERING GUIDE-ACCESSORIES

Ordered separately

AE-TL-CD ERALUX Chandra DTW Track Head	-HX Hex louwer -SNT-BK Black Snoot -SNT-WH White Snoot	T10016 Monopoint Mounting T10017 Duopoint Mounting	-BK Black -WH White
---	--	---	--

Fixture Family	Optics	Mounting	Finish
-----------------------	---------------	-----------------	---------------

ORDERING GUIDE- TRACK SYSTEM

Track system and components are ordered with the track head if needed.

Refer to the links below for more information

T1
ERALUX Track T1
Compatible with Juno system-1 circuit

T2
ERALUX Track T2
Compatible with Juno system-2 circuit

H1
ERALUX Track H1
Compatible with Halo system-1 circuit

- 2** 2ft track
- 4** 4ft track
- 6** 6ft track
- 8** 8ft track
- 12** 12ft track
- 0001** Mini I Connector
- 0002** T Connector
- 0003** L Connector
- 0004** X Connector
- 0015** End Feed

-BK
Black Finish

-WH
White Finish

Track System	Components	Finish	PN	QTY
---------------------	-------------------	---------------	-----------	------------

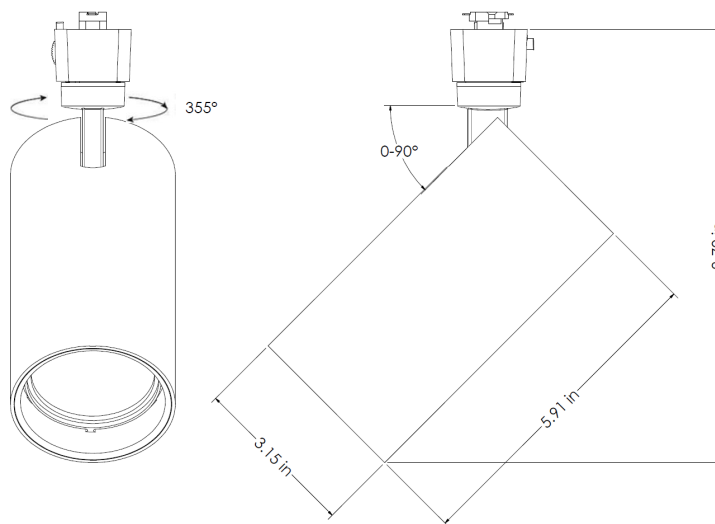
TRACK LED LIGHT

Cylinder Track Head | 2.5" Aperture | Dim To Warm

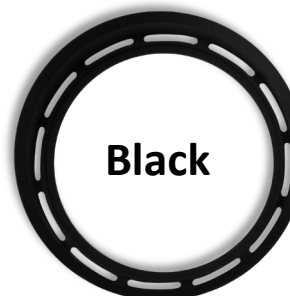
DIMENSIONS

AE-TL-CD-DTW12

- Rotation up to 355°
- Tilt +/- 90°



BEZEL OPTIONS



TRACK LED LIGHT

Cylinder Track Head | 2.5" Aperture | Dim To Warm

ACCESSORIES

OPTICAL

ORDERING CODE	DESCRIPTION	PICTURE
AE-TL-CD-HX	Hex louver Reduce the glare of the light source and luminaire	
AE-TL-CD-SNT-BK	Black Snoot Control the direction and radius of the light beam	
AE-TL-CD-SNT-WH	White Snoot Control the direction and radius of the light beam	

MOUNTING

ORDERING CODE	DESCRIPTION	PICTURE
T10016	Monopoint adapter Surface / wall mount Compatible with Juno system 1 Track head can be installed.	
T10017	Duopoint adapter Surface / wall mount Compatible with Juno system. 2 Track heads can be installed.	

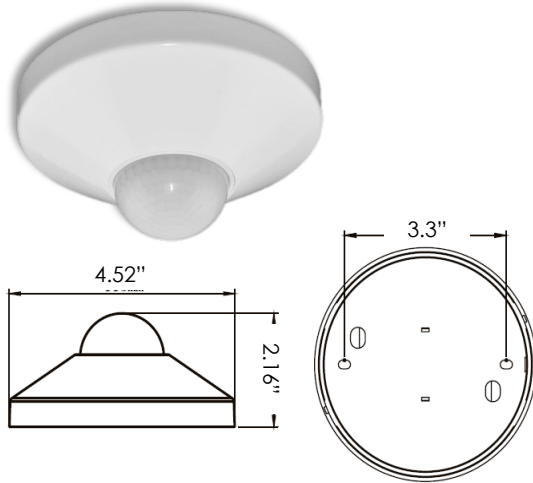
TRACK LED LIGHT

Cylinder Track Head | 2.5" Aperture | Dim To Warm

ROOM OCCUPANCY SENSOR

Ordered separately, field installed

PART NUMBER	DESCRIPTION
AE-CT-DT806	Line Voltage Motion Sensor
RC102	RC102 Remote Control



SPECIFICATIONS		
Input Voltage	120-277 Vac	
Power Frequency	50/60HZ	
Rated Load	At 120 Vac	800W
	At 277 Vac	1200W
Detection Range	3-10 Meters	
	9.8-32.75 Feet	
Standby Power	~0.9W	
Time Setting	10 sec to 30 min	
Light Control	10-2,000LUX	
Installation	Ceiling Mounted	

DIMMER COMPATIBILITY LIST

TRIAC/ELV Dimming

Brand	Model
LUTRON	DV-600P
	DVELV-303P
	NTELV-600
	MAELV-600
	SELV-300P
	DVLV-600P
	NFTU-5A
	CTCL-153P
	GL-600H
	S-600P

TRACK LED LIGHT

Cylinder Track Head | 2.5" Aperture | Dim To Warm

LUMEN ESTIMATE

Lumen output varies based on CCT and CRI. An estimate of lumen output of the various CCT/CRI combinations, use the table below:

LUMEN ESTIMATE ADJUSTMENT FACTORS				
CCT	2700K	3000K	3500K	4000K
PREMIUM (90CRI)	0.83	0.86	0.93	0.93

PHOTOMETRIC DATA

PART NUMBER		ZONAL LUMEN SUMMARY			POLAR LUMINOUS INTENSITY
AE-TL-CD-DTW12NFP3018XX		Zone	Lumens	% Fixture	Direct Light
Wattage	19.5W	0-20°	1264.1	74.5	
CCT	3000K	0-30°	1466.21	86.4	
Distribution	22°	0-40°	1543.51	91	
CBCP	8420	0-60°	1623.67	95.7	
		0-80°	1657.89	97.7	
		0-90°	1664.72	98.1	

PART NUMBER		ZONAL LUMEN SUMMARY			POLAR LUMINOUS INTENSITY
AE-TL-CD-DTW12FLP3018XX		Zone	Lumens	% Fixture	Direct Light
Wattage	19.5W	0-20°	1250.27	73.4	
CCT	3000K	0-30°	1450.4	85.2	
Distribution	28°	0-40°	1532.58	90	
CBCP	6280	0-60°	1623.61	95.4	
		0-80°	1663.86	97.7	
		0-90°	1671.01	98.2	

PART NUMBER		ZONAL LUMEN SUMMARY			POLAR LUMINOUS INTENSITY
AE-TL-CD-DTW12WFP3018XX		Zone	Lumens	% Fixture	Direct Light
Wattage	19.5W	0-20°	1094.13	64.1	
CCT	3000K	0-30°	1490.42	87.3	
Distribution	38°	0-40°	1560.02	91.4	
CBCP	4050	0-60°	1635.82	95.8	
		0-80°	1671.13	97.9	
		0-90°	1677.44	98.3	

PART NUMBER		ZONAL LUMEN SUMMARY			POLAR LUMINOUS INTENSITY
AE-TL-CD-DTW12VWFP3018XX		Zone	Lumens	% Fixture	Direct Light
Wattage	19.5W	0-20°	607.74	35.7	
CCT	3000K	0-30°	1128.85	66.3	
Distribution	60°	0-40°	1471.69	86.4	
CBCP	1780	0-60°	1623.26	95.3	
		0-80°	1666.63	97.9	
		0-90°	1673.51	98.3	

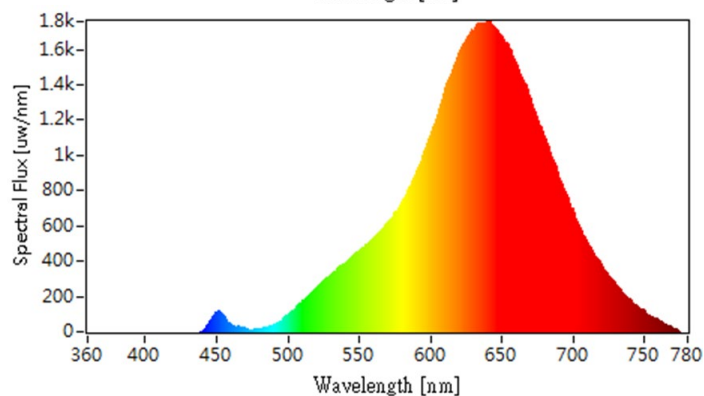
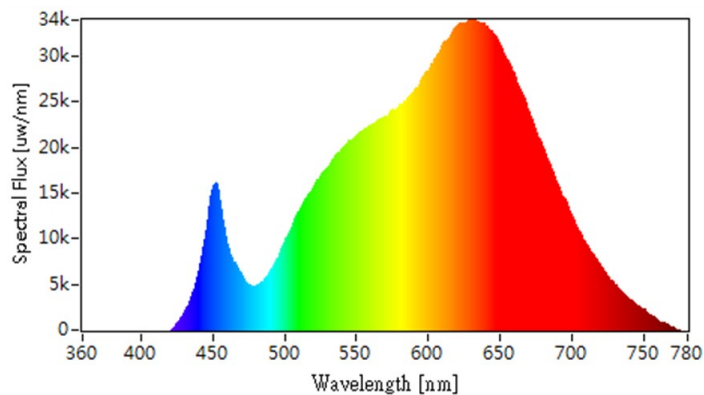
TRACK LED LIGHT

Cylinder Track Head | 2.5" Aperture | Dim To Warm

LUMEN SPECTRAL

AE-TL-CD-DTW12WFP3018XXXX	
Wattage	19.5W
CCT	3000K
Distribution	24°

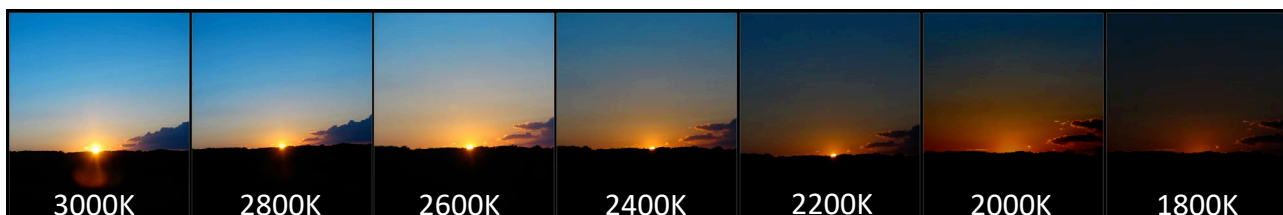
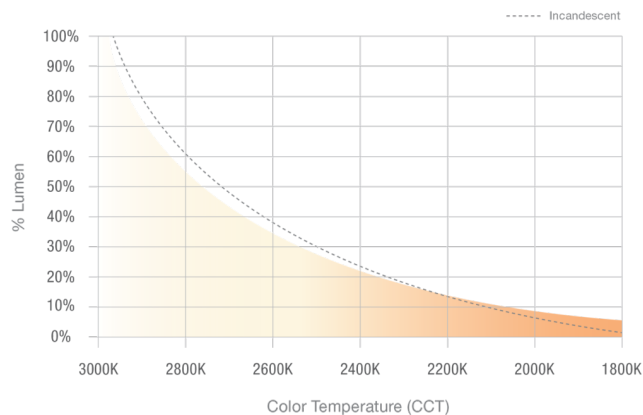
AE-TL-CD-DTW12WFP3018XXXX	
Wattage	19.5W
CCT	1800K
Distribution	24°



DIM TO WARM

This feature allows for precise control of color temperature (CCT) based on power levels. At 3000K, the fixture delivers a full 1050 lumens, providing bright, invigorating light perfect for work and productivity. As you dim the light to 1800K, it transitions to a gentle glow, offering just 50 lumens—a warm, soft light ideal for hosting gatherings or unwinding in the evening. This smooth transition beautifully mimics the calming stages of a sunset, enhancing the ambiance of any space.

Change in CCT with respect to dimming profile



TRACK LED LIGHT

Cylinder Track Head | 2.5" Aperture | Dim To Warm

OVERVIEW



Innovative Design

- Aluminum die cast housing for better heat dissipation.
- Improved design extends LED and driver lifespan.



Tests And Certifications



Accessories

- Hex louvers and snoots to customize your track fixtures



DIM TO WARM

- Dynamic Color Temperature: Smoothly transitions from 3000K to 1800K.
- Adjustable Brightness: Dims from 100% lumens to 5%.
- Cozy Atmosphere: Creates a warm, inviting environment, mimicking the soothing stages of a sunset



Multiple Options

- 19.5W power.
- Variety of beam angles.
- Four CCTs available.
- Black, white, and silver finishes.
- Three bezel options: black, bronze, and gold.



Mountings Available

- Choose from any of the popular track systems such as Juno, Halo, Lightolier, or Global.
- Surface mount with either monopoint or duopoint adapters.

