

CHANDRA GRANDE

eralux®

TRACK LED LIGHT

Cylinder Track Head | 2.75" Aperture | 7.1" Length

The CHANDRA is a cylinder track head with sleek design offers a range of optical options, multiple of bezel and fixture finishes making it an attractive addition, Its accessories and mounting options allow for seamless customization. With straight forward installation, adjustments to the lighting can be made quickly and effortlessly on field. It will brighten you space by offering up to 2235 lumens with power switchable option.

Applications: Art Galleries | Show Rooms | Retail Stores | Hospitality

	DATE	QTY	ACC. QTY	TYPE
PROJECT				
PN				
ACCESSORY PN				
NOTES				



DYNAMIC MENU

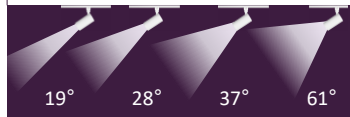
Order Information	Page 2
Dimensions	Page 3
Accessories	Page 4
Photometric Data	Page 6

[Install Instruction link](#)

SPECIFICATIONS

Input Voltage	120-277V
Power Factor	>0.9
Total Harmonic Distortion	<20%
Dimming Page 5	TRIAC dimming
CRI	90 CRI
CCT	<div style="display: flex; gap: 10px;"> <div style="border: 1px solid black; border-radius: 50%; width: 20px; height: 20px; background-color: #fff9c4; display: flex; align-items: center; justify-content: center;">27K</div> <div style="border: 1px solid black; border-radius: 50%; width: 20px; height: 20px; background-color: #fff176; display: flex; align-items: center; justify-content: center;">30K</div> <div style="border: 1px solid black; border-radius: 50%; width: 20px; height: 20px; background-color: #e0e0e0; display: flex; align-items: center; justify-content: center;">35K</div> <div style="border: 1px solid black; border-radius: 50%; width: 20px; height: 20px; background-color: #bbdefb; display: flex; align-items: center; justify-content: center;">40K</div> </div>
Efficacy	~95 lm/W
Power	14/19/27 W
Ambient Temperature Range	-10°C to 35°C
Mounting Adapter	Juno Global Halo Lightolier
Mounting Options	Track System Monopoint
Fixture Finish	Black White Silver
Bezel Finish	Black Bronze Gold
Optical Accessories	Hex louver Snoot
	Narrow Flood Wide Very wide

Distribution



PRODUCT FEATURES



PRODUCT CERTIFICATIONS



SYSTEM WARRANTY – 5 YEARS

Eralux will warrant defective drivers, LEDs and boards for 5 years from the date of purchase. This warranty is valid only if the fixture is installed and used as per installation guides and specifications. If a defect is present, Eralux will send drivers and boards at no fee with a thorough replacement instructions along with instructions on the return of the defective parts back to Eralux.

LUMEN MAINTENANCE – L70 at 50,000 hours

Rated for 70% initial lumen output at 50,000 hours of operation, operated at 25°C ambient temperature; per guidelines published by the Illuminating Engineering Society (IES).

TRACK LED LIGHT

Cylinder Track Head | 2.75" Aperture | 7.1" Length

ORDERING GUIDE

AE-TL-CDG	-XXW		P				
AE-TL-CDG ERALUX Chandra Grande Track Head 120V-277V	-XXW 14/19/27W 1160/1575/2235 lm	NF Narrow Flood 19° FL Flood 28° WF Wide Flood 37° VWF Wide Flood 61°	P Premium 90 CRI	27 2700K 30 3000K 35 3500K 40 4000K	[BLANK] Black BZ Bronze GD Gold	J1 Juno G1 Global H1 Halo L1 Lightolier	BK Black powder coat WH White powder coat SV Silver powder Coat

Fixture Family	Wattage	Distribution	CRI	CCT	Bezel Finish	Adapter	Finish
----------------	---------	--------------	-----	-----	--------------	---------	--------

ORDERING GUIDE - ACCESSORIES

Ordered separately

AE-TL-CDG ERALUX Chandra Grande Track Head	-HX Hex louver -SNT-BK Black Snoot -SNT-WH White Snoot	T10016 Monopoint Mounting T10017 Duopoint Mounting	-BK Black -WH White
--	--	---	--

Fixture Family	Optics	Mounting	Finish
----------------	--------	----------	--------

ORDERING GUIDE - TRACK SYSTEM

Track system and components are ordered with the track head if needed.

Refer to the links below for more information

T1 ERALUX Track T1 Compatible with Juno system-1 circuit	-2 2ft track -4 4ft track -6 6ft track -8 8ft track
T2 ERALUX Track T2 Compatible with Juno system-2 circuit	-12 12ft track
H1 ERALUX Track H1 Compatible with Halo system-1 circuit	0001 Mini I Connector 0002 T Connector 0003 L Connector 0004 X Connector 0015 End Feed

-BK Black Finish	
-WH White Finish	

Track System	Components	Finish	PN	QTY
--------------	------------	--------	----	-----

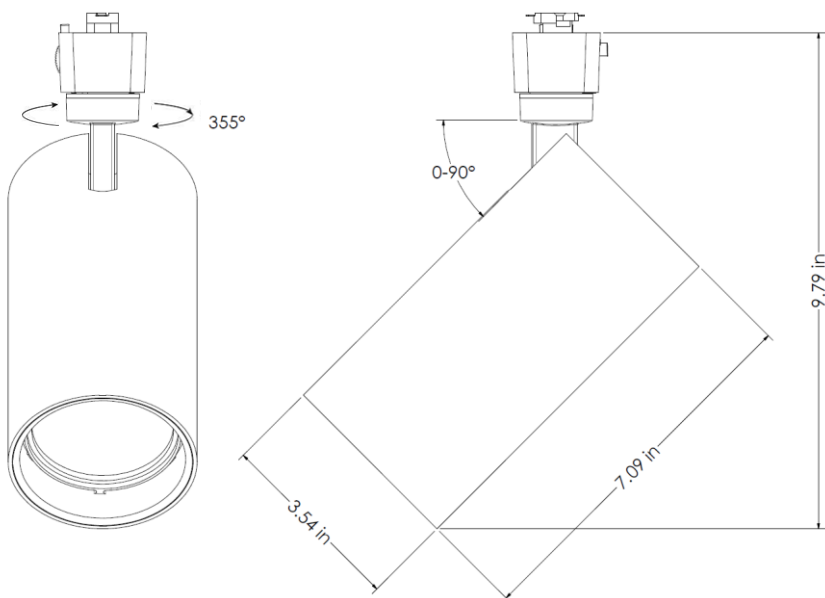
TRACK LED LIGHT

Cylinder Track Head | 2.75" Aperture | 7.1" Length

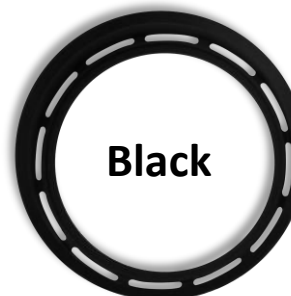
DIMENSIONS

AE-TL-CDG-12

- Rotation up to 355°
- Tilt +/- 90°



BEZEL OPTIONS



TRACK LED LIGHT

Cylinder Track Head | 2.75" Aperture | 7.1" Length

ACCESSORIES

OPTICAL

ORDERING CODE	DESCRIPTION	PICTURE
AE-TL-CDG-HX	Hex louver Reduce the glare of the light source and luminaire	
AE-TL-CDG-SNT-BK	Black Snoot Control the direction and radius of the light beam	
AE-TL-CDG-SNT-WH	White Snoot Control the direction and radius of the light beam	

MOUNTING

ORDERING CODE	DESCRIPTION	PICTURE
T10016 -WH -BK	Monopoint adapter Surface / wall mount Compatible with Juno system 1 Track head can be installed.	
T10017 -WH -BK	Duopoint adapter Surface / wall mount Compatible with Juno system. 2 Track heads can be installed.	

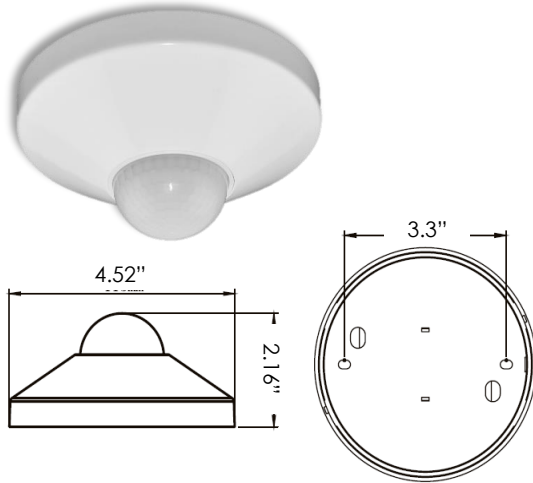
TRACK LED LIGHT

Cylinder Track Head | 2.75" Aperture | 7.1" Length

ROOM OCCUPANCY SENSOR

Ordered separately, field installed

PART NUMBER	DESCRIPTION
AE-CT-DT806	Detecta - Room Occupancy Sensor
RC102	RC102 Remote Control



SPECIFICATIONS		
Input Voltage	120-277 Vac	
Power Frequency	50/60HZ	
Rated Load	At 120 Vac	800W
	At 277 Vac	1200W
Detection Range	3-10 Meters	
	9.8-32.75 Feet	
Standby Power	~0.9W	
Time Setting	10 sec to 30 min	
Light Control	10-2,000LUX	
Installation	Ceiling Mounted	

DIMMER COMPATIBILITY LIST

TRIAC/ELV Dimming

Brand	Model	Brand	Model
Leviton	6674	Lutron	DV-103P
	DVCL-153P		S-600P
	PR106		NTLV-600
	IP106		
	6684		

TRACK LED LIGHT

Cylinder Track Head | 2.75" Aperture | 7.1" Length

LUMEN ESTIMATE

Lumen output varies based on CCT and CRI. An estimate of lumen output of the various CCT/CRI combinations, use correction factors as per table below:

LUMEN ESTIMATE ADJUSTMENT FACTORS

CCT	2700K	3000K	3500K	4000K
PREMIUM (90CRI)	0.8	0.86	0.93	0.93

PHOTOMETRIC DATA

PART NUMBER		ZONAL LUMEN SUMMARY			POLAR LUMINOUS INTENSITY	CONE DISTRIBUTION		
AE-CDG-XXWNFP30J1XX		Zone	Lumens	% Fixture	Direct Light	Center Beam Fc		Beam Width
Wattage	28W	0-20°	1697.17	69.2		1.7ft	4744 fc	0.6 ft 0.6 ft
CCT	3000K	0-30°	2,103.63	85.8		3.3ft	1259 fc	1.1 ft 1.1 ft
Distribution	19°	0-40°	2,287.96	93.3		5.0ft	548 fc	1.7 ft 1.7 ft
CBCP	11324	0-60°	2,400.90	97.9		6.7ft	305 fc	2.2 ft 2.3 ft
		0-80°	2419.96	98.7		8.3ft	199 fc	2.8 ft 2.8 ft
		0-90°	2424.01	98.8	10.0ft	137 fc	3.4 ft 3.4 ft	
							■ Vert. Spread: 19.1° ■ Horiz. Spread: 19.3°	
AE-CDG-XXWFLP30J1XX		Zone	Lumens	% Fixture	Direct Light	Center Beam Fc		Beam Width
Wattage	28W	0-20°	1697.17	69.2		1.7ft	2846 fc	0.9 ft 0.9 ft
CCT	3000K	0-30°	2,103.63	85.8		3.3ft	755 fc	1.7 ft 1.7 ft
Distribution	28°	0-40°	2,287.96	93.3		5.0ft	329 fc	2.5 ft 2.5 ft
CBCP	6859	0-60°	2400.9	97.9		6.7ft	183 fc	3.4 ft 3.4 ft
		0-80°	2419.96	98.7		8.3ft	119 fc	4.2 ft 4.2 ft
		0-90°	2424.01	98.8	10.0ft	82.3 fc	5.1 ft 5.1 ft	
							■ Vert. Spread: 28.6° ■ Horiz. Spread: 28.4°	
AE-CDG-XXWWFP30J1XX		Zone	Lumens	% Fixture	Direct Light	Center Beam Fc		Beam Width
Wattage	28W	0-20°	1439.54	59.2		1.7ft	1821 fc	1.2 ft 1.2 ft
CCT	3000K	0-30°	1986.48	81.7		3.3ft	483 fc	2.2 ft 2.2 ft
Distribution	37°	0-40°	2,205.26	90.6		5.0ft	210 fc	3.4 ft 3.4 ft
CBCP	4371	0-60°	2,372.32	97.5		6.7ft	117 fc	4.5 ft 4.6 ft
		0-80°	2401.56	98.7		8.3ft	76.4 fc	5.6 ft 5.6 ft
		0-90°	2405.4	98.9	10.0ft	52.6 fc	6.8 ft 6.8 ft	
							■ Vert. Spread: 37.5° ■ Horiz. Spread: 37.5°	
AE-CDG-XXWVFP30J1XX		Zone	Lumens	% Fixture	Direct Light	Center Beam Fc		Beam Width
Wattage	28W	0-20°	841.97	34.4		1.7ft	818 fc	2.0 ft 2.0 ft
CCT	3000K	0-30°	1604.61	65.5		3.3ft	217 fc	3.9 ft 3.9 ft
Distribution	61°	0-40°	2110.05	86.1		5.0ft	94.5 fc	5.9 ft 5.9 ft
CBCP	1988	0-60°	2400.05	97.9		6.7ft	52.6 fc	7.9 ft 8.0 ft
		0-80°	2421.92	98.8		8.3ft	34.3 fc	9.8 ft 9.9 ft
		0-90°	2425.45	99	10.0ft	23.6 fc	11.8 ft 11.9 ft	
							■ Vert. Spread: 61.2° ■ Horiz. Spread: 61.4°	

TRACK LED LIGHT

Cylinder Track Head | 2.75" Aperture | 7.1" Length

OVERVIEW



Innovative Design

- Aluminum die cast housing for better heat dissipation.
- Improved design extends LED and driver lifespan.



Multiple Options

- 14/19/27W powers.
- Variety of beam angles.
- Four CCTs available.
- Black, white, and silver finishes.
- Three bezel options: black, bronze, and gold.



Mountings Available

- Choose from any of the popular track systems such as Juno, Halo, Lightolier, or Global.
- Surface mount with either monopoint or duopoint adapters.



Tests And Certifications



Accessories

- Hex louvers and snoots to customize your track fixtures

