

# CHANDRA MAX

eralux®

## TRACK LED LIGHT

### Cylinder Track Head | 3" Aperture | 7.9" Length

The CHANDRA MAX is a big cylinder track head with high lumen output around 3740 lm featuring a variety of bezel and fixture finishes making it an attractive addition. It delivers high brightness and allows for easy customization with accessories and optic options. With straight forward installation, adjustments to the lighting can be made quickly and effortlessly on field.

Applications: Art Galleries | Show Rooms | Retail Stores | Hospitality

	DATE	QTY	ACC. QTY	TYPE
PROJECT				
PN				
ACCESSORY PN				
NOTES				



### DYNAMIC MENU

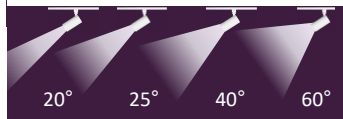
Order Information	<a href="#">Page 2</a>
Dimensions	<a href="#">Page 3</a>
Accessories	<a href="#">Page 4</a>
Photometric Data	<a href="#">Page 6</a>

[Install Instruction Link](#)

### SPECIFICATIONS

Input Voltage	120-277V
Power Factor	>0.9
Total Harmonic Distortion	<20%
Dimming <a href="#">Page 5</a>	TRIAC dimming
CRI	90 CRI   97 CRI
CCT	<div style="display: flex; gap: 10px;"> <div style="border: 1px solid black; border-radius: 50%; width: 20px; height: 20px; background-color: #fff9c4; display: flex; align-items: center; justify-content: center;">27K</div> <div style="border: 1px solid black; border-radius: 50%; width: 20px; height: 20px; background-color: #fff176; display: flex; align-items: center; justify-content: center;">30K</div> <div style="border: 1px solid black; border-radius: 50%; width: 20px; height: 20px; background-color: #e0e0e0; display: flex; align-items: center; justify-content: center;">35K</div> <div style="border: 1px solid black; border-radius: 50%; width: 20px; height: 20px; background-color: #bbdefb; display: flex; align-items: center; justify-content: center;">40K</div> </div>
Efficacy	~86lm
Power	41W
Ambient Temperature Range	-10°C to 35°C
Mounting Adapter	Juno   Global   Halo   Lightolier
Mounting Options	Track System   Monopoint
Fixture Finish	Black   White   Silver
Bezel Finish	Black   Bronze   Gold
Optical Accessories	Hexcell   Snoot

### Distribution



### PRODUCT CERTIFICATIONS



### SYSTEM WARRANTY – 5 YEARS

Eralux will warrant defective drivers, LEDs and boards for 5 years from the date of purchase. This warranty is valid only if the fixture is installed and used as per installation guides and specifications. If a defect is present, Eralux will send drivers and boards at no fee with a thorough replacement instructions along with instructions on the return of the defective parts back to Eralux.

### LUMEN MAINTENANCE – L70 at 50,000 hours

Rated for 70% initial lumen output at 50,000 hours of operation, operated at 25°C ambient temperature; per guidelines published by the Illuminating Engineering Society (IES).

## TRACK LED LIGHT

Cylinder Track Head | 3" Aperture | 7.9" Length

### ORDERING GUIDE

<b>AE-TL-CDX-12</b>	<b>-XXW</b>						
<b>AE-TL-CDX-12</b> ERALUX Chandra Max Track Head	<b>XXW<sup>1</sup></b> 41 W   3740 Lm	<b>NF</b> Narrow Flood 20°	<b>P</b> 90 CRI <b>S<sup>2</sup></b> 97 CRI	<b>27</b> 2700K <b>30</b> 3000K <b>35</b> 3500K <b>40</b> 4000K	<b>[BLANK]</b> Black <b>BZ</b> Bronze <b>GD</b> Gold	<b>J1</b> Juno <b>G1</b> Global <b>H1</b> Halo <b>L1</b> Lightolier	<b>BK</b> Black powder coat <b>WH</b> White powder coat <b>SV</b> Silver powder coat
		<b>FL</b> Flood 25° <b>WF</b> Wide Flood 40° <b>VF</b> Very Wide Flood 60°					

Fixture Family	Wattage	Distribution	CRI	CCT	Bezel Finish	Adapter	Finish
----------------	---------	--------------	-----	-----	--------------	---------	--------

#### NOTES

1. Programmable down to 19W.
2. At 97 CRI, lumen output is 10% lower.

### ORDERING GUIDE-ACCESSORIES

Ordered separately

<b>AE-TL-CDX</b> ERALUX Chandra Max Track Head	<b>-HX</b> Hex louver <b>-SNT-BK</b> Black snoot <b>-SNT-WH</b> White snoot	<b>T10016</b> Monopoint Mounting <b>T10017</b> Duopoint Mounting	<b>-BLK</b> Black <b>-WHT</b> White <b>-SLV</b> Silver

Fixture Family	Optics	Mounting	Finish
----------------	--------	----------	--------

### ORDERING GUIDE- TRACK SYSTEM

Track system and components are ordered with the track head if needed. Refer to thee links below for more information.

<b>T1</b> ERALUX Track T1 Compatible with Juno system-1 circuit	<b>-2</b> 2ft track <b>-4</b> 4ft track <b>-6</b> 6ft track <b>-8</b> 8ft track <b>-12</b> 12ft track	<b>-BK</b> Black Finish		
<b>T2</b> ERALUX Track T2 Compatible with Juno system-2 circuit	<b>0001</b> Mini I Connector <b>0002</b> T Connector <b>0003</b> L Connector <b>0004</b> X Connector <b>0015</b> End Feed	<b>-WH</b> White Finish		
<b>H1</b> ERALUX Track H1 Compatible with Halo system-1 circuit		<b>-SV</b> Silver Finish		

TRACK SYSTEM	Track System	Finish	PN	QTY
--------------	--------------	--------	----	-----

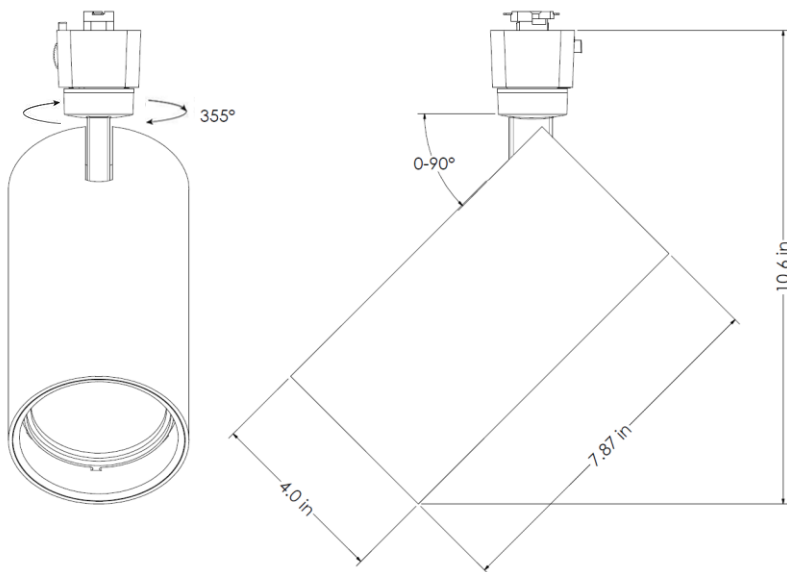
## TRACK LED LIGHT

Cylinder Track Head | 3" Aperture | 7.9" Length

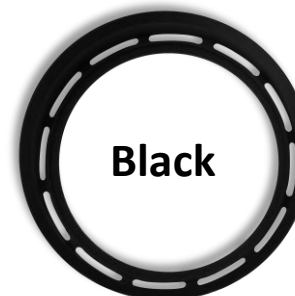
### DIMENSIONS

AE-TL-CDX-12

- Rotation up to 355°
- Tilt +/- 90°



### BEZEL OPTIONS



## TRACK LED LIGHT

Cylinder Track Head | 3" Aperture | 7.9" Length

### ACCESSORIES

#### OPTICAL

ORDERING CODE	DESCRIPTION	PICTURE
AE-TL-CDX-HX	Hex louver Reduce the glare of the light source and luminaire	
AE-TL-CDX-SNT-BK	Black Snoot Control the direction and radius of the light beam	
AE-TL-CDX-SNT-WH	White Snoot Control the direction and radius of the light beam	

### MOUNTING

ORDERING CODE	DESCRIPTION	PICTURE
T10016	Monopoint adapter Surface / wall mount Compatible with Juno system 1 Track head can be installed.	
T10017	Duopoint adapter Surface / wall mount Compatible with Juno system. 2 Track heads can be installed.	

## TRACK LED LIGHT

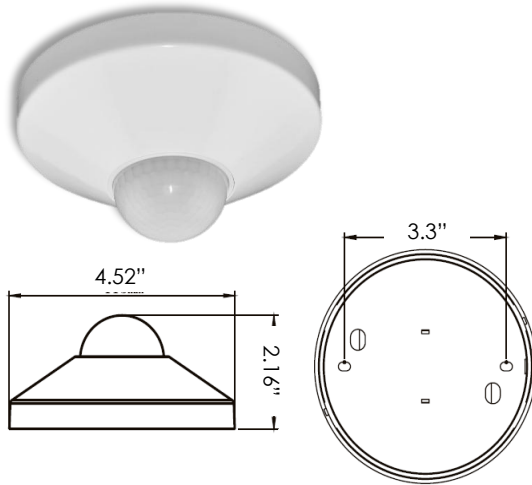
Cylinder Track Head | 3" Aperture | 7.9" Length

### ROOM OCCUPANCY SENSOR

Ordered separately, field installed

PART NUMBER	DESCRIPTION
AE-CT-DT806	Detecta - Room Occupancy Sensor
RC102	RC102 Remote Control

SPECIFICATIONS		
<b>Input Voltage</b>	120-277 Vac	
<b>Power Frequency</b>	50/60HZ	
<b>Rated Load</b>	At 120 Vac	800W
	At 277 Vac	1200W
<b>Detection Range</b>	3-10 Meters	
	9.8-32.75 Feet	
<b>Standby Power</b>	~0.9W	
<b>Time Setting</b>	10 sec to 30 min	
<b>Light Control</b>	10-2,000LUX	
<b>Installation</b>	Ceiling Mounted	



### DIMMER COMPATIBILITY LIST

TRIAC/ELV Dimming

Brand	Model	Brand	Model
Lutron	SLV-600X	Leviton	6602-X
	S2-LX		
	GL-600H		
	NFTU-5A		
	DVLV-600P		

## TRACK LED LIGHT

Cylinder Track Head | 3" Aperture | 7.9" Length

### LUMEN ESTIMATE

Lumen output varies based on CCT and CRI. An estimate of lumen output of the various CCT/CRI combinations, use correction factors as per table below:

#### LUMEN ESTIMATE ADJUSTMENT FACTORS

CCT	3000K	3500K	4000K
PREMIUM (90CRI)	1	1.03	1.06

### PHOTOMETRIC DATA

PART NUMBER		ZONAL LUMEN SUMMARY			POLAR LUMINOUS INTENSITY	CONE DISTRIBUTION			
AE-CDG-XXWFLP30J1XX		Zone	Lumens	% Fixture	Direct Light	Center Beam Fc		Beam Width	
Wattage	41W	0-20°	2555.35	65.80		1.7ft	<b>4795 fc</b>	<b>0.8 ft</b>	<b>0.8 ft</b>
CCT	3000K	0-30°	3313.88	85.40		3.3ft	<b>1273 fc</b>	<b>1.5 ft</b>	<b>1.5 ft</b>
Distribution	25°	0-40°	3603.62	92.90		5.0ft	<b>554 fc</b>	<b>2.2 ft</b>	<b>2.2 ft</b>
CBCP	12850	0-60°	3789.05	97.60		6.7ft	<b>309 fc</b>	<b>3.0 ft</b>	<b>3.0 ft</b>
		0-80°	3830.14	98.70		8.3ft	<b>201 fc</b>	<b>3.7 ft</b>	<b>3.7 ft</b>
		0-90°	3836.41	98.90	10.0ft	<b>139 fc</b>	<b>4.5 ft</b>	<b>4.5 ft</b>	

PART NUMBER		ZONAL LUMEN SUMMARY			POLAR LUMINOUS INTENSITY	CONE DISTRIBUTION			
AE-TL-CDX-12FLP30XXJ1XX		Zone	Lumens	% Fixture	Direct Light	Center Beam Fc		Beam Width	
Wattage	41W	0-20°	2266.37	56.70		1.7ft	<b>2834 fc</b>	<b>1.2 ft</b>	<b>1.2 ft</b>
CCT	3500K	0-30°	3323.19	83.10		3.3ft	<b>752 fc</b>	<b>2.3 ft</b>	<b>2.3 ft</b>
Distribution	40°	0-40°	3704.69	92.70		5.0ft	<b>328 fc</b>	<b>3.5 ft</b>	<b>3.5 ft</b>
CBCP	7700	0-60°	3904.63	97.70		6.7ft	<b>182 fc</b>	<b>4.7 ft</b>	<b>4.7 ft</b>
		0-80°	3946.78	98.70		8.3ft	<b>119 fc</b>	<b>5.8 ft</b>	<b>5.8 ft</b>
		0-90°	3953.27	98.90	10.0ft	<b>81.9 fc</b>	<b>7.0 ft</b>	<b>7.0 ft</b>	

PART NUMBER		ZONAL LUMEN SUMMARY			POLAR LUMINOUS INTENSITY	CONE DISTRIBUTION			
AE-TL-CDX-12WFP30XXJ1XX		Zone	Lumens	% Fixture	Direct Light	Center Beam Fc		Beam Width	
Wattage	41W	0-20°	1449.76	35.60		1.7ft	<b>1423 fc</b>	<b>2.0 ft</b>	<b>2.0 ft</b>
CCT	4000K	0-30°	2735.08	67.20		3.3ft	<b>378 fc</b>	<b>3.8 ft</b>	<b>3.9 ft</b>
Distribution	60°	0-40°	3569.89	87.70		5.0ft	<b>165 fc</b>	<b>5.8 ft</b>	<b>5.8 ft</b>
CBCP	3700	0-60°	3983.09	97.80		6.7ft	<b>91.6 fc</b>	<b>7.8 ft</b>	<b>7.8 ft</b>
		0-80°	4020.74	98.80		8.3ft	<b>59.7 fc</b>	<b>9.7 ft</b>	<b>9.7 ft</b>
		0-90°	4027.22	98.90	10.0ft	<b>41.1 fc</b>	<b>11.7 ft</b>	<b>11.7 ft</b>	

## TRACK LED LIGHT

Cylinder Track Head | 3" Aperture | 7.9" Length

### OVERVIEW



#### Innovative Design

- Aluminum die-cast housing for better heat dissipation.
- Improved design extends LED and driver lifespan.



#### Multiple Options

- 41W power – programmable down to 19W
- Variety of beam angles.
- Four CCTs available.
- Black, white, and silver finishes.
- Three bezel options: black, bronze, and gold.



#### Mountings Available

- Choose from any of the popular track systems such as Juno, Halo, Lightolier, or Global.
- Surface mount with either monopoint or duopoint adapters.



#### Tests And Certifications



#### Accessories

- Hex louvers and snoots to customize your track fixtures

