

# CHANDRA MINI

## TRACK LIGHTING

Track Fixture

With the CHANDRA Max and CHANDRA Series, you can create a family look in your retail environment with the new CHANDRA Mini series. It comes available in a variety of beam patterns and CCT options. With a 90CRI for all its CCT, the CHANDRA Mini will enhance your retail environment to another level.



eralux®



DATE	
PROJECT NAME	
TYPE	
QTY	
ORDERING CODE	AE-TL-CDM-12

### OPERATING & ELECTRICAL

INPUT VOLTAGE	120 V
POWER FACTOR	>0.9
DIMMING	Triac dimming
TOTAL HARMONIC DISTORTION (THD)	<20%

### PERFORMANCE

LUMENS PER WATT	79-91 LPW at 90CRI
POWER CONSUMPTION	9W,13.4W
DISTRIBUTION	Narrow flood Flood Wide flood

### MECHANICAL & HOUSING

HOUSING	Aluminum die cast
LENS	Highly durable polycarbonate and high transmittance lens
FINISH	Black, White, Silver
POWER SUPPLY	Factory wired electronic LED driver
LED BOARD	COB

### APPLICATION CONDITION

AMBIENT TEMPERATURE RANGE	-10 °C to 35°C
---------------------------	----------------

### COMPATIBLE MOUNTING

MOUNTING	Juno Global Halo Lightolier
----------	--------------------------------------

### WARRANTY

#### SYSTEM WARRANTY – 5 YEARS

Eralux will warrant defective drivers, LEDs and boards for 5 years from the date of purchase. This warranty is valid only if the fixture is installed and used as per installation guides and specifications. If a defect is present, Eralux will send drivers and boards at no fee with a thorough replacement instructions along with instructions on the return of the defective parts back to Eralux.

#### LUMEN MAINTENANCE – L70 at 50,000 hours

Rated for 70% initial lumen output at 50,000 hours of operation, operated at 25°C ambient temperature; per guidelines published by the Illuminating Engineering Society (IES)

# CHANDRA MINI

TRACK LIGHTING

Track Fixture

DATE	
PROJECT NAME	
<b>TYPE</b>	
QTY	
ORDERING CODE	AE-TL-CDM-12      P

## ORDERING GUIDE

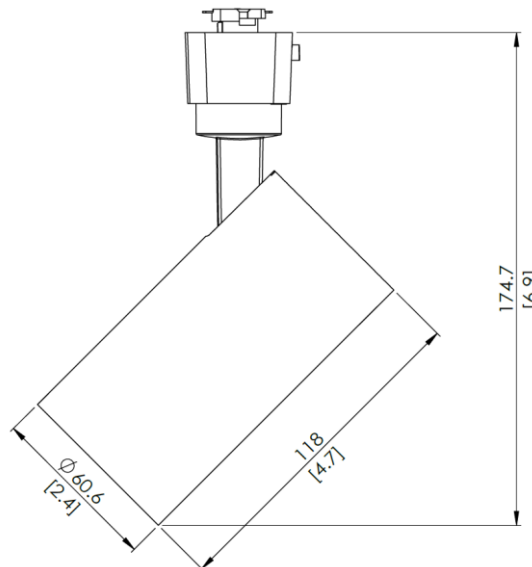
EXAMPLE: AE-TL-CDM-12LNFP30J1BK

FIXTURE FAMILY	WATTAGE	DISTRIBUTION	CRI	CCT	ADAPTER	FINISH
<b>AE-TL-CDM-12</b>			<b>P</b>			
<b>AE-TL-CDM-12</b> ERALUX CHANDRA MINI track light 120V	<b>L</b> 9 watts: 880 lumens at 90CRI 3000K	<b>SP</b> Spotlight distribution 21° 4239 @ 9W 6226 @ 13.4 W	<b>P</b> Premium 90 CRI	<b>27</b> 2700K CCT	<b>J1</b> Juno mounting system	<b>BK</b> Black powder coat finish
		<b>NF</b> Narrow Flood light distribution 24° CBCP: 3175 @ 9W 4499 @ 13.4 W		<b>30</b> 3000K CCT		
	<b>H</b> 13.4 watts: 1,220 lumens at 90CRI 3000K	<b>FL</b> Flood light distribution 29° CBCP: 2437 @ 9W 3424 @ 13.4W		<b>35</b> 3500K CCT	<b>H1</b> Halo mounting system	<b>WH</b> White powder coat finish
		<b>WF</b> Wide Flood light distribution 55° CBCP: 943 @ 9W 1328 @ 13.4W		<b>40</b> 4000K CCT		<b>L1</b> Lightolier mounting system

## PRODUCT DIMENSIONS

AE-TL-CD12MXXXXXXXXXXXX

Weight: 0.385 kg



# CHANDRA MINI

TRACK LIGHTING

Track Fixture

DATE	
PROJECT NAME	
<b>TYPE</b>	
QTY	
ORDERING CODE	AE-TL-CDM-12 <span style="float: right;">P</span>

## LUMEN ESTIMATE

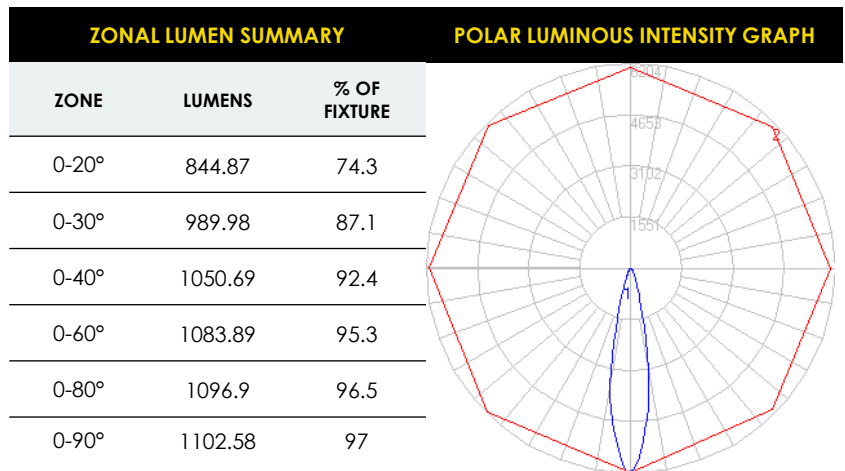
Lumen output varies based on CCT and CRI. An estimate of lumen output of the various CCT/CRI combinations, use correction factors as per table below:

LUMEN ESTIMATE ADJUSTMENT FACTORS				
CCT	2700	3000K	3500K	4000K
PREMIUM (90CRI)	0.8	0.86	0.93	0.93

## PHOTOMETRIC DATA

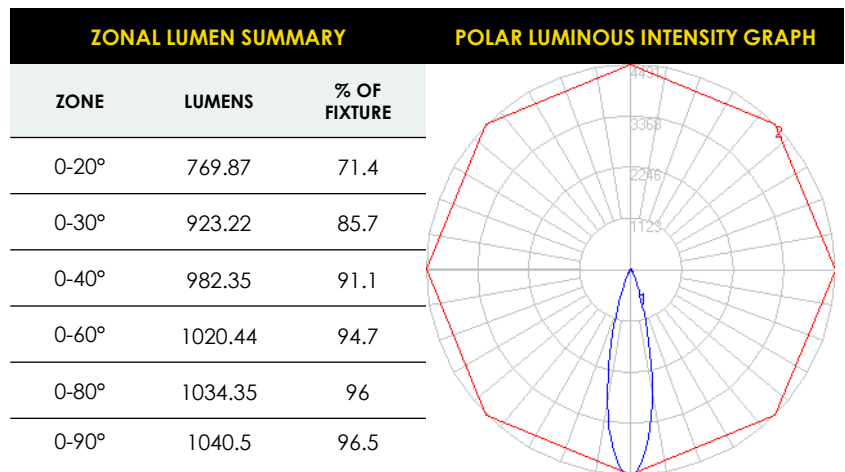
AE-TL-CDM-12HSP30X1XX

Spot 21°



AE-TL-CDM-12HNFP30X1XX

Narrow Flood 25°





# CHANDRA MINI

TRACK LIGHTING

Track Fixture

DATE	
PROJECT NAME	
<b>TYPE</b>	
QTY	
ORDERING CODE	AE-TL-CDM-12      P

## DIMMER COMPATIBILITY LIST (10W & 13.5W)

TRIAC/ELV Dimmer @120VAC
Lutron SLV-600X
Lutron S2-LX
Lutron GL-600H
Lutron NFTU-5A
Lutron DVLV-600P
Leviton 6602-X
Leviton 6681-X
Leviton 6683-X
Leviton 6684-X
Leviton 700-X

TRIAC/ELV Dimmer @120VAC
Leviton 705-X
Leviton 6633
Leviton 6674
Leviton IPI06-1LZ
Cooper 9530XXX
Lightolier MP600X
Advance SR150LED120

# CHANDRA MINI

TRACK LIGHTING

Track Fixture

DATE					
PROJECT NAME					
<b>TYPE</b>					
QTY					
ORDERING CODE	AE-TL-CDM-12			P	

## OVERVIEW



### MULTIPLE MOUNTING ADAPTERS

Choose from any of the popular track systems such as Juno, Halo, Lightolier, or Global.

### PREMIUM DESIGN

Aluminum die-cast materials selected for efficient thermal heat dissipation, enhanced structural rigidity maximizing LED life and driver function.

### MULTIPLE OPTIONS

Customize your track head by selecting from a variety of beam angle and CCT options allowing you to have a unique fixture that suits your project.

### PAINT FINISH

Factory standard in black, white, and silver. Contact for custom paint finishes to enhance your fixture to suit your project space.

### EFFICIENT DESIGN

Integrated components allow for small stem and clean aesthetic appearance.

