

CHANDRA MINI

TRACK LED LIGHT

Cylinder Track Head | 1.7" Aperture | 4.7" Length

The CHANDRA MINI is a small size track head offers a range of optical options, variety of bezel and fixture finishes making it an attractive addition. Its accessories and mounting options allow for seamless customization. With straight forward installation, adjustments to the lighting can be made quickly and effortlessly on field. It is available in two power options 9 W – 940 lm and 13.4 W – 1310 lm.

Applications: Art Galleries | Show Rooms | Retail Stores | Hospitality

	DATE	QTY	ACC. QTY	TYPE
PROJECT				
PN				
ACCESSORY PN				
NOTES				

DYNAMIC MENU	
Order Information	Page 2
Dimensions	Page 3
Accessories	Page 4
Photometric Data	Page 6

[Install Instruction Link](#)



SPECIFICATIONS

Input Voltage	120V
Power Factor	>0.9
Total Harmonic Distortion	<20%
Dimming page 5	TRIAC dimming
CRI	90 CRI 97 CRI
CCT	<div style="display: flex; gap: 10px;"> <div style="border: 1px solid black; border-radius: 50%; width: 20px; height: 20px; display: flex; align-items: center; justify-content: center;">27K</div> <div style="border: 1px solid black; border-radius: 50%; width: 20px; height: 20px; display: flex; align-items: center; justify-content: center;">30K</div> <div style="border: 1px solid black; border-radius: 50%; width: 20px; height: 20px; display: flex; align-items: center; justify-content: center;">35K</div> <div style="border: 1px solid black; border-radius: 50%; width: 20px; height: 20px; display: flex; align-items: center; justify-content: center;">40K</div> </div>
Efficacy	~84-104 lm/W
Power	9 W 13.4 W
Ambient Temperature Range	-10°C to 35°C
Mounting Adapter	Juno Global Halo Lightolier
Mounting Options	Track System Monopoint
Fixture Finish	Black White Silver
Bezel Finish	Black Bronze Gold
Optical Accessories	Hex louver Snoot
	Spotlight Narrow Flood Wide
Distribution	

PRODUCT CERTIFICATIONS



SYSTEM WARRANTY – 5 YEARS

Eralux will warrant defective drivers, LEDs and boards for 5 years from the date of purchase. This warranty is valid only if the fixture is installed and used as per installation guides and specifications. If a defect is present, Eralux will send drivers and boards at no fee with a thorough replacement instructions along with instructions on the return of the defective parts back to Eralux.

LUMEN MAINTENANCE – L70 at 50,000 hours

Rated for 70% initial lumen output at 50,000 hours of operation, operated at 25°C ambient temperature; per guidelines published by the Illuminating Engineering Society (IES).

TRACK LED LIGHT

Cylinder Track Head | 1.7" Aperture | 4.7" Length

ORDERING GUIDE

AE-TL-CDM-12							
AE-TL-CDM-12 ERALUX Chandra Mini Track Head 120Vac Input	L 9 W 940 lm 104 LPW H 13.4 W 1310 lm 97 LPW At 3500K	SP Spotlight 21° NF Narrow Flood 24° FL Flood 29° WF Wide Flood 55°	P 90 CRI S¹ 97 CRI	27 2700K 30 3000K 35 3500K 40 4000K	[BLANK] Black BZ Bronze GD Gold	J1 Juno G1 Global H1 Halo L1 Lightolier	BK Black powder coat WH White powder coat SV Silver powder coat

Fixture Family	Wattage	Distribution	CRI	CCT	Bezel Finish	Adapter	Finish
----------------	---------	--------------	-----	-----	--------------	---------	--------

NOTE 1. At 97 CRI, lumen output is 10% lower.

ORDERING GUIDE-ACCESSORIES

Ordered separately

AE-TL-CDM ERALUX Chandra Mini Track Head	HX Hex louver SNT-BK Black snoot SNT-WH White snoot	T10016 Monopoint Mounting T10017 Duopoint Mounting	-BLK Black -WHT White -SLV Silver
--	---	---	---

Fixture Family	Optics	Mounting	Finish
----------------	--------	----------	--------

ORDERING GUIDE- TRACK SYSTEM

Track system and components are ordered with the track head if needed. Refer to the links below for more information.

T1 ERALUX Track T1 Compatible with Juno system-1 circuit	-2 2ft track -4 4ft track -6 6ft track -8 8ft track -12 12ft track	-BLK Black Finish		
T2 ERALUX Track T2 Compatible with Juno system-2 circuit	0001 Mini I Connector 0002 T Connector 0003 L Connector 0004 X Connector 0015 End Feed	-WHT White Finish		
H1 ERALUX Track H1 Compatible with Halo system-1 circuit		-SLV Silver Finish		

TRACK SYSTEM	Track System	Finish	PN	QTY
--------------	--------------	--------	----	-----

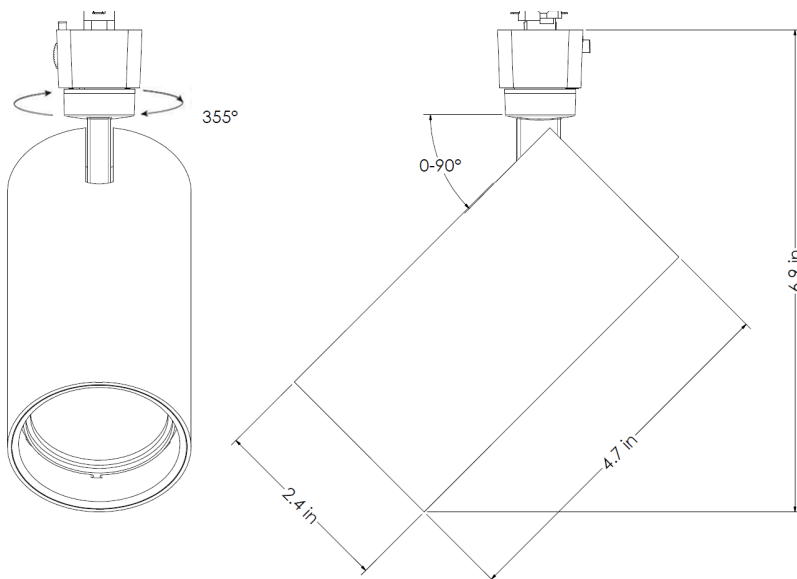
TRACK LED LIGHT

Cylinder Track Head | 1.7" Aperture | 4.7" Length

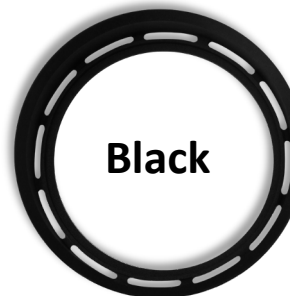
DIMENSIONS

AE-TL-CDM-12

- Rotation up to 355°
- Tilt +/- 90°



BEZEL OPTIONS



TRACK LED LIGHT

Cylinder Track Head | 1.7" Aperture | 4.7" Length

ACCESSORIES

OPTICAL

ORDERING CODE	DESCRIPTION	PICTURE
AE-TL-CDM-HX	Hex louver Reduce the glare of the light source and luminaire	
AE-TL-CDM-SNT-BK	Black Snoot Control the direction and radius of the light beam	
AE-TL-CDM-SNT-WH	White Snoot Control the direction and radius of the light beam	

MOUNTING

ORDERING CODE	DESCRIPTION	PICTURE
T10016	Monopoint adapter Surface / wall mount Compatible with Juno system 1 Track head can be installed.	
T10017	Duopoint adapter Surface / wall mount Compatible with Juno system. 2 Track heads can be installed.	

TRACK LED LIGHT

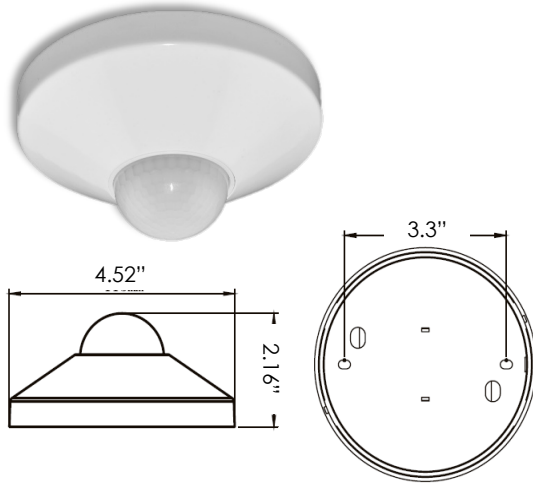
Cylinder Track Head | 1.7" Aperture | 4.7" Length

ROOM OCCUPANCY SENSOR

Ordered separately, field installed

PART NUMBER	DESCRIPTION
AE-CT-DT806	Detecta - Room Occupancy Sensor
RC100	RC102 Remote Control

SPECIFICATIONS		
Input Voltage	120-277 Vac	
Power Frequency	50/60HZ	
Rated Load	At 120 Vac	800W
	At 277 Vac	1200W
Detection Range	3-10 Meters	
	9.8-32.75 Feet	
Standby Power	~0.9W	
Time Setting	10 sec to 30 min	
Light Control	10-2,000LUX	
Installation	Ceiling Mounted	



DIMMER COMPATIBILITY LIST

TRIAC/ELV Dimming

Brand	Model	Brand	Model
Leviton	6602-X	Lutron	SLV-600X
	6681-X		S2-LX
	6683-X		GL-600H
	6684-X		NFTU-5A
	700-X		DVLV-600P
	705-X	Cooper	9530XXX
	6633	Lightolier	MP600X
	6674	Advance	SR150LED120
	IPI06-1LZ		

TRACK LED LIGHT

Cylinder Track Head | 1.7" Aperture | 4.7" Length

LUMEN ESTIMATE

Lumen output varies based on CCT and CRI. An estimate of lumen output of the various CCT/CRI combinations, use correction factors as per table below:

LUMEN ESTIMATE ADJUSTMENT FACTORS

CCT	2700K	3000K	3500K	4000K
PREMIUM (90 CRI)	0.8	0.86	0.93	0.93

PHOTOMETRIC DATA

PART NUMBER		ZONAL LUMEN SUMMARY			POLAR LUMINOUS INTENSITY	CONE DISTRIBUTION				
AE-CDM-12HSP30XXJ1BK		Zone	Lumens	% Fixture	Direct Light	Center Beam Fc		Beam Width		
Wattage	13.4W	0-20°	769.87	71.4		1.7ft	2138 fc	0.6 ft	0.6 ft	
CCT	3000K	0-30°	923.22	85.7		3.3ft	567 fc	1.2 ft	1.2 ft	
Distribution	21°	0-40°	982.35	91.1		5.0ft	247 fc	1.9 ft	1.9 ft	
CBCP	6226	0-60°	1020.44	94.7		6.7ft	138 fc	2.5 ft	2.5 ft	
		0-80°	1034.35	96		8.3ft	89.7 fc	3.1 ft	3.1 ft	
		0-90°	1040.5	96.5		10.0ft	61.8 fc	3.7 ft	3.7 ft	
							Vert. Spread: 21.2°		Horiz. Spread: 21.2°	

PART NUMBER		ZONAL LUMEN SUMMARY			POLAR LUMINOUS INTENSITY	CONE DISTRIBUTION				
AE-CDM-12HNF30XXJ1BK		Zone	Lumens	% Fixture	Direct Light	Center Beam Fc		Beam Width		
Wattage	13.4W	0-20°	769.87	71.4		1.7ft	1554 fc	0.7 ft	0.7 ft	
CCT	3000K	0-30°	923.22	85.7		3.3ft	412 fc	1.4 ft	1.4 ft	
Distribution	24°	0-40°	982.35	91.1		5.0ft	180 fc	2.2 ft	2.2 ft	
CBCP	4499	0-60°	1020.44	94.7		6.7ft	100 fc	2.9 ft	2.9 ft	
		0-80°	1034.35	96		8.3ft	65.2 fc	3.6 ft	3.6 ft	
		0-90°	1040.5	96.5		10.0ft	44.9 fc	4.3 ft	4.3 ft	
							Vert. Spread: 24.3°		Horiz. Spread: 24.4°	

PART NUMBER		ZONAL LUMEN SUMMARY			POLAR LUMINOUS INTENSITY	CONE DISTRIBUTION				
AE-CDM-12HFLP30XXXXXX		Zone	Lumens	% Fixture	Direct Light	Center Beam Fc		Beam Width		
Wattage	13.4W	0-20°	716.82	66.8		1.7ft	1183 fc	0.9 ft	0.9 ft	
CCT	3000K	0-30°	913.59	85.2		3.3ft	314 fc	1.7 ft	1.7 ft	
Distribution	29°	0-40°	974.93	90.9		5.0ft	137 fc	2.6 ft	2.6 ft	
CBCP	3424	0-60°	1012.94	94.4		6.7ft	76.2 fc	3.4 ft	3.5 ft	
		0-80°	1027.24	95.8		8.3ft	49.6 fc	4.3 ft	4.3 ft	
		0-90°	1033.71	96.4		10.0ft	34.2 fc	5.1 ft	5.2 ft	
							Vert. Spread: 28.8°		Horiz. Spread: 28.9°	

PART NUMBER		ZONAL LUMEN SUMMARY			POLAR LUMINOUS INTENSITY	CONE DISTRIBUTION				
AE-TL-CDM-12HWFP30X1XX		Zone	Lumens	% Fixture	Direct Light	Center Beam Fc		Beam Width		
Wattage	13.4W	0-20°	468.01	41.2		1.7ft	457 fc	1.8 ft	1.8 ft	
CCT	3000K	0-30°	836.41	73.6		3.3ft	121 fc	3.4 ft	3.4 ft	
Distribution	55°	0-40°	1012.72	89.1		5.0ft	52.8 fc	5.2 ft	5.2 ft	
CBCP	1328	0-60°	1076.6	94.8		6.7ft	29.4 fc	6.9 ft	6.9 ft	
		0-80°	1090.49	96		8.3ft	19.2 fc	8.6 ft	8.6 ft	
		0-90°	1097.06	96.6		10.0ft	13.2 fc	10.3 ft	10.3 ft	
							Vert. Spread: 54.6°		Horiz. Spread: 54.7°	

TRACK LED LIGHT

Cylinder Track Head | 1.7" Aperture | 4.7" Length

OVERVIEW



Innovative Design

- Aluminum die-cast housing for better heat dissipation.
- Improved design extends LED and driver lifespan.



Multiple Options

- Low (9W) and high (13.4W) powers.
- Variety of beam angles.
- Four CCTs available.
- Black, white, and silver finishes.
- Three bezel options: black, bronze, and gold.
- Two CRIs; 90 and 97.



Mountings Available

- Choose from any of the popular track systems such as Juno, Halo, Lightolier, or Global.
- Surface mount with either monopoint or duopoint adapters.



Tests And Certifications



Accessories

- Hex louvers and snoots to customize your track fixtures

