

# CHANDRA SERIES

eralux®

## TRACK LED LIGHT | 1.7 – 3” Aperture

### Cylinder Track Head

The CHANDRA SERIES are cylinder track heads offering a range of optical options, multiple of bezel and fixture finishes making it an attractive addition. Its accessories and mounting options allow for seamless customization. With straight forward installation, adjustments to the lighting can be made quickly and effortlessly on field. It will brighten your space by offering 940 to 3740 lm.

Applications: Art Galleries | Show Rooms | Retail Stores | Hospitality

DATE	QTY	ACC. QTY	TYPE
PROJECT			
PN			
ACCESSORY PN			
NOTES			



### DYNAMIC MENU

Order Information	<a href="#">Page 2</a>
Dimensions	<a href="#">Page 6</a>
Accessories	<a href="#">Page 9</a>
Photometric Data	<a href="#">Page 11</a>

[Install Instruction link](#)

### SPECIFICATIONS

Input Voltage	CDM & CD	120V
	CDX & CDG	120-277V
Power Factor	>0.9	
Total Harmonic Distortion	<20%	
Dimming <a href="#">Page 10</a>	TRIAC dimming	
CRI	90 CRI   97 CRI	
CCT	<div style="display: flex; gap: 10px;"> <div style="border: 1px solid black; border-radius: 50%; width: 20px; height: 20px; background-color: #fff9c4; display: flex; align-items: center; justify-content: center;">27K</div> <div style="border: 1px solid black; border-radius: 50%; width: 20px; height: 20px; background-color: #fff176; display: flex; align-items: center; justify-content: center;">30K</div> <div style="border: 1px solid black; border-radius: 50%; width: 20px; height: 20px; background-color: #fff9c4; display: flex; align-items: center; justify-content: center;">35K</div> <div style="border: 1px solid black; border-radius: 50%; width: 20px; height: 20px; background-color: #bbdefb; display: flex; align-items: center; justify-content: center;">40K</div> </div>	
CCT – Dim to warm	<div style="display: flex; align-items: center; gap: 10px;"> <div style="border: 1px solid black; border-radius: 50%; width: 20px; height: 20px; background-color: #fff176; display: flex; align-items: center; justify-content: center;">30K</div> <div style="font-size: 12px;">→</div> <div style="border: 1px solid black; border-radius: 50%; width: 20px; height: 20px; background-color: #ff9800; display: flex; align-items: center; justify-content: center;">18K</div> </div>	
Efficacy	~78-104 lm/W	
Power	9-41W	
Ambient Temperature Range	-10°C to 35°C	
Mounting Adapter	Juno   Global   Halo   Lightolier	
Mounting Options	Track System   Monopoint	
Fixture Finish	Black   White   Silver	
Bezel Finish	Black   Bronze   Gold	
Optical Accessories	Hex louver   Snoot	
Distribution	Narrow   Flood   Wide   Very wide	



### PRODUCT CERTIFICATIONS



### SYSTEM WARRANTY – 5 YEARS

Eralux will warrant defective drivers, LEDs and boards for 5 years from the date of purchase. This warranty is valid only if the fixture is installed and used as per installation guides and specifications. If a defect is present, Eralux will send drivers and boards at no fee with a thorough replacement instructions along with instructions on the return of the defective parts back to Eralux.

### LUMEN MAINTENANCE – L70 at 50,000 hours

Rated for 70% initial lumen output at 50,000 hours of operation, operated at 25°C ambient temperature; per guidelines published by the Illuminating Engineering Society (IES).

## TRACK LED LIGHT

Cylinder Track Head | 1.7 – 3” Aperture



### ORDERING GUIDE – CHANDRA MINI

<b>AE-TL-CDM-12</b>							
<b>AE-TL-CDM-12</b> Chandra Mini Track Head 1.7” Aperture  120Vac Input	<b>L</b> 9 W   940 lm 104 LPW  <b>H</b> 13.4 W   1310 lm 97 LPW  At 3500K	<b>SP</b> Spotlight 21°  <b>NF</b> Narrow Flood 24°  <b>FL</b> Flood 29°  <b>WF</b> Wide Flood 55°	<b>P</b> 90 CRI <b>S<sup>1</sup></b> 97 CRI	<b>27</b> 2700K  <b>30</b> 3000K  <b>35</b> 3500K  <b>40</b> 4000K	<b>[BLANK]</b> Black  <b>BZ</b> Bronze  <b>GD</b> Gold	<b>J1</b> Juno  <b>G1</b> Global  <b>H1</b> Halo  <b>L1</b> Lightolier	<b>BK</b> Black powder coat  <b>WH</b> White powder coat  <b>SV</b> Silver powder coat

<b>Fixture Family</b>	<b>Wattage</b>	<b>Distribution</b>	<b>CRI</b>	<b>CCT</b>	<b>Bezel Finish</b>	<b>Adapter</b>	<b>Finish</b>
-----------------------	----------------	---------------------	------------	------------	---------------------	----------------	---------------

**NOTE** 1. At 97 CRI, lumen output is 10% lower.



### ORDERING GUIDE – CHANDRA MINI DTW

<b>AE-TL-CDM-DTW</b>	<b>12</b>		<b>P</b>	<b>3018</b>			
<b>AE-TL-CDM-DTW</b> Chandra Mini DTW Track Head 1.75” Aperture  120Vac Input	<b>12</b> 120 VAC  13.5 W 1050 lm	<b>NF</b> Narrow Flood 20°  <b>FL</b> Flood 26°  <b>WF</b> Wide Flood 38°  <b>VWF</b> Very Wide Flood 56°	<b>P</b> Premium 90 CRI	<b>3018</b> Dim to Warm 3000K-1800K	<b>[BLANK]</b> Black  <b>BZ</b> Bronze  <b>GD</b> Gold	<b>J1</b> Juno  <b>G1</b> Global  <b>H1</b> lo  <b>L1</b> Lightolier	<b>BK</b> Black powder coat  <b>WH</b> White powder coat  <b>SV</b> Silver powder Coat

<b>Fixture Family</b>	<b>Wattage</b>	<b>Distribution</b>	<b>CRI</b>	<b>CCT</b>	<b>Bezel Finish</b>	<b>Adapter</b>	<b>Finish</b>
-----------------------	----------------	---------------------	------------	------------	---------------------	----------------	---------------

## TRACK LED LIGHT

Cylinder Track Head | 1.7 – 3” Aperture



### ORDERING GUIDE – CHANDRA

<b>AE-TL-CD</b>	<b>12</b>						
<b>AE-TL-CD</b> Chandra Track Head 2.5” Aperture  120Vac Input	<b>12</b> 120V  20 W   1,720 Lm  At 3500K	<b>NF</b> Narrow Flood 13° <b>FL</b> Flood 25° <b>WF</b> Wide Flood 35°	<b>P</b> 90 CRI <b>S<sup>1</sup></b> 97 CRI	<b>27</b> 2700K <b>30</b> 3000K <b>35</b> 3500K <b>40</b> 4000K	<b>[BLANK]</b> Black trim <b>BZ</b> Bronze <b>GD</b> Gold	<b>J1</b> Juno <b>G1</b> Global <b>H1</b> Halo <b>L1</b> Lightolier	<b>BK</b> Black powder coat <b>WH</b> White powder coat <b>SV</b> Silver powder coat

Fixture Family	Voltage	Distribution	CRI	CCT	Bezel Finish	Adapter	Finish
----------------	---------	--------------	-----	-----	--------------	---------	--------

**NOTE** 1. At 97CRI, lumen output is 10% lower.



### ORDERING GUIDE – CHANDRA DTW

<b>AE-TL-CD-DTW</b>	<b>12</b>		<b>P</b>	<b>3018</b>			
<b>AE-TL-CD-DTW</b> Chandra DTW Track Head 2.5” Aperture  120Vac Input	<b>12</b> 120V  19.5 W   1696 lm	<b>NF</b> Narrow Flood 20° <b>FL</b> Flood 28° <b>WF</b> Wide Flood 39° <b>VWF</b> Wide Flood 60°	<b>P</b> Premium 90 CRI	<b>3018</b> Dim to warm: 3000k-1800k	<b>[BLANK]</b> Black <b>BZ</b> Bronze <b>GD</b> Gold	<b>J1</b> Juno <b>G1</b> Global <b>H1</b> Halo <b>L1</b> Lightolier	<b>BK</b> Black powder coat <b>WH</b> White powder coat <b>SV</b> Silver powder Coat

Fixture Family	Wattage	Distribution	CRI	CCT	Bezel Finish	Adapter	Finish
----------------	---------	--------------	-----	-----	--------------	---------	--------

## TRACK LED LIGHT

Cylinder Track Head | 1.7 – 3” Aperture



### ORDERING GUIDE – CHANDRA GRANDE

AE-TL-CDG	-XXW		P				
<b>AE-TL-CDG</b> Chandra Track Head 2.75” Aperture  120V-277V	<b>-XXW</b> 14/19/27W 1160/1575/2235 lm	<b>NF</b> Narrow Flood 19° <b>FL</b> Flood 28° <b>WF</b> Wide Flood 37° <b>VWF</b> Very Wide Flood 61°	<b>P</b> Premium 90 CRI	<b>27</b> 2700K <b>30</b> 3000K <b>35</b> 3500K <b>40</b> 4000K	<b>[BLANK]</b> Black <b>BZ</b> Bronze <b>GD</b> Gold	<b>J1</b> Juno <b>G1</b> Global <b>H1</b> Halo <b>L1</b> Lightolier	<b>BK</b> Black powder coat <b>WH</b> White powder coat <b>SV</b> Silver powder coat

Fixture Family

Wattage

Distribution

CRI

CCT

Bezel Finish

Adapter

Finish



### ORDERING GUIDE – CHANDRA MAX

AE-TL-CDX-12	-XXW						
<b>AE-TL-CDX-12</b> Chandra Track Head 3” Aperture  120V-277V	<b>XXW<sup>1</sup></b> 41 W   3740 Lm	<b>NF</b> Narrow Flood 20° <b>FL</b> Flood 25° <b>WF</b> Wide Flood 40° <b>VF</b> Very Wide Flood 60°	<b>P</b> 90 CRI <b>S<sup>2</sup></b> 97 CRI	<b>27</b> 2700K <b>30</b> 3000K <b>35</b> 3500K <b>40</b> 4000K	<b>[BLANK]</b> Black <b>BZ</b> Bronze <b>GD</b> Gold	<b>J1</b> Juno <b>G1</b> Global <b>H1</b> Halo <b>L1</b> Lightolier	<b>BK</b> Black powder coat <b>WH</b> White powder coat <b>SV</b> Silver powder coat

Fixture Family

Wattage

Distribution

CRI

CCT

Bezel Finish

Adapter

Finish

#### NOTES

1. Programmable down to 19W.
2. At 97 CRI, lumen output is 10% lower.

## TRACK LED LIGHT

Cylinder Track Head | 1.7 – 3” Aperture



### ORDERING GUIDE-ACCESSORIES

Ordered separately



**AE-TL-CDM**

Chandra Mini

**AE-TL-CD**

Chandra

**AE-TL-CDG**

Chandra Grande

**AE-TL-CDX**

Chandra Max

**-HX**

Hex louver

**-SNT-BK**

Black snoot

**-SNT-WH**

White snoot

Accessory Family

Optics



**T10016**

Monopoint Mounting

**T10017**

Duopoint Mounting

**-BLK**

Black

**-WHT**

White

**-SLV**

Silver

Mounting

Finish



### ORDERING GUIDE- TRACK SYSTEM

Track system and components are ordered with the track head if needed. Refer to these links below for more information.

**T1**

ERALUX Track T1

Compatible with Juno system-1 circuit

**T2**

ERALUX Track T2

Compatible with Juno system-2 circuit

**H1**

ERALUX Track H1

Compatible with Halo system-1 circuit

**-2** 2ft track

**-4** 4ft track

**-6** 6ft track

**-8** 8ft track

**-12** 12ft track

**0001** Mini I Connector

**0002** T Connector

**0003** L Connector

**0004** X Connector

**0015** End Feed

**-BK**

Black Finish

**-WH**

White Finish

**-SV**

Silver Finish

TRACK SYSTEM

Track System

Finish

PN

QTY

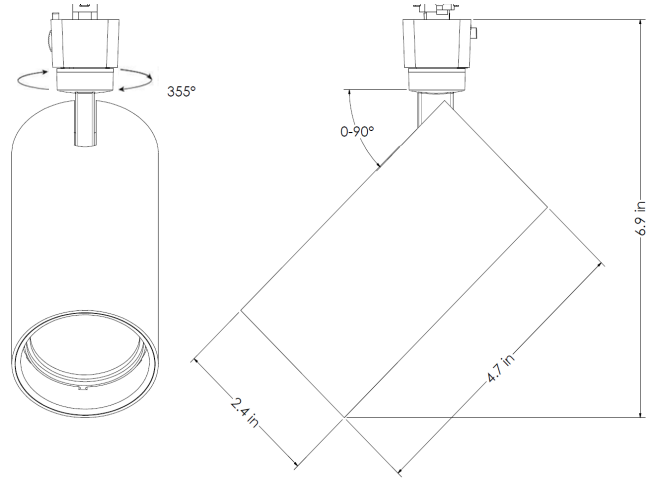
## TRACK LED LIGHT

Cylinder Track Head | 1.7 – 3" Aperture

### DIMENSIONS – CHANDRA MINI

AE-TL-CDM-12

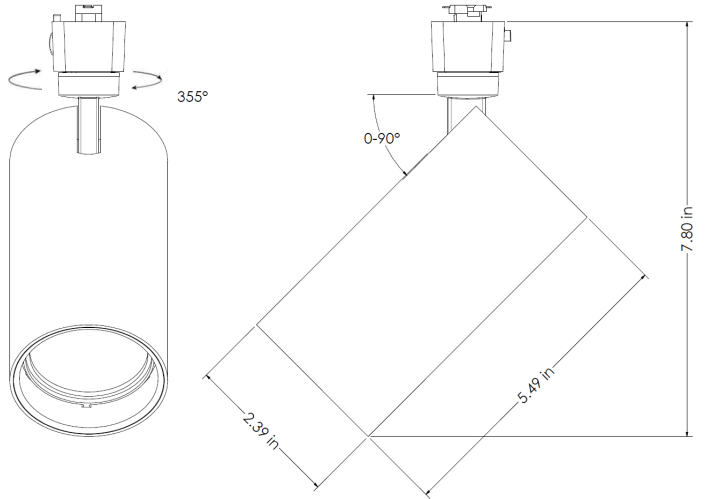
- Rotation up to 355°
- Tilt +/- 90°



### DIMENSIONS – CHANDRA MINI DTW

AE-TL-CDM-DTW12

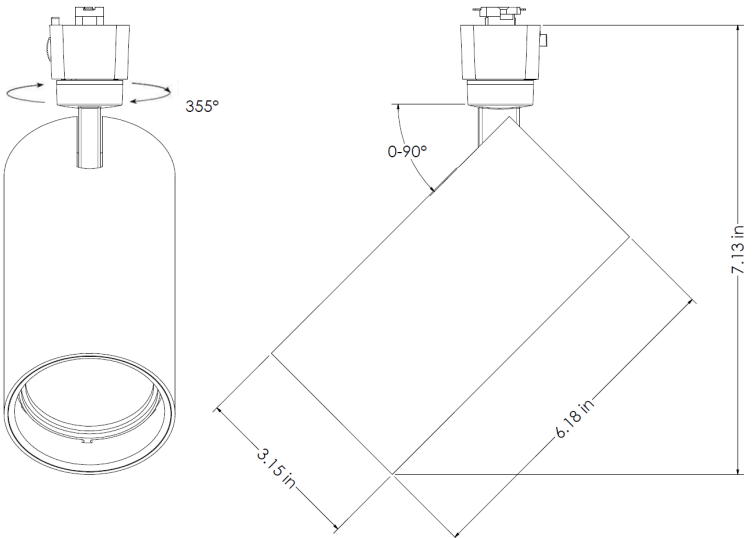
- Rotation up to 355°
- Tilt +/- 90°



### DIMENSIONS – CHANDRA

AE-TL-CD-12

- Rotation up to 355°
- Tilt +/- 90°



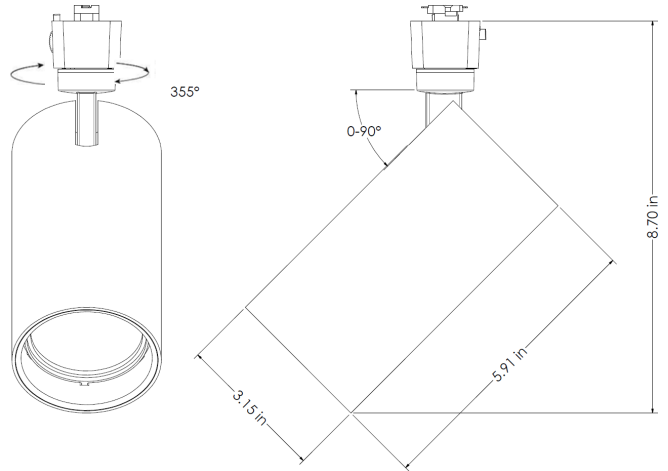
## TRACK LED LIGHT

Cylinder Track Head | 1.7 – 3" Aperture

### DIMENSIONS – CHANDRA DTW

AE-TL-CD-DTW12

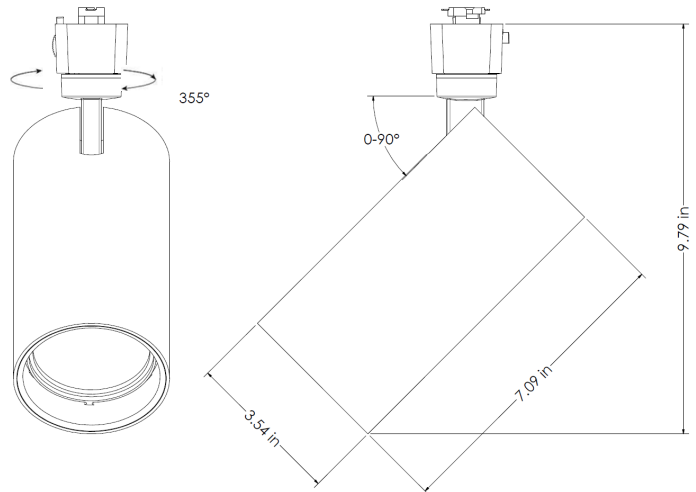
- Rotation up to 355°
- Tilt +/- 90°



### DIMENSIONS – CHANDRA GRANDE

AE-TL-CDG-12

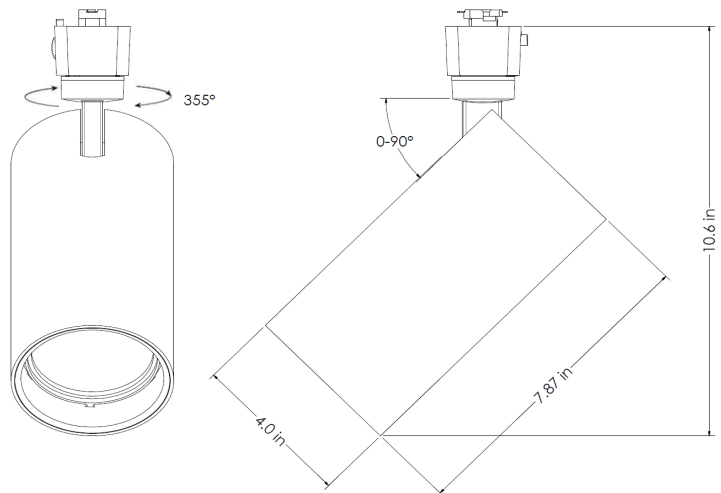
- Rotation up to 355°
- Tilt +/- 90°



### DIMENSIONS – CHANDRA MAX

AE-TL-CDX-12

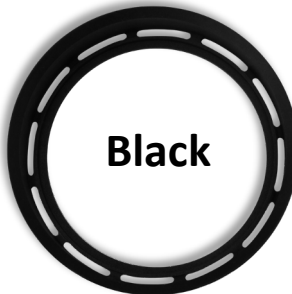
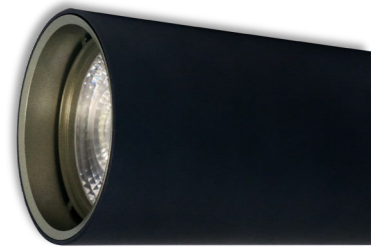
- Rotation up to 355°
- Tilt +/- 90°



## TRACK LED LIGHT

Cylinder Track Head | 1.7 – 3" Aperture

### BEZEL OPTIONS



## TRACK LED LIGHT

Cylinder Track Head | 1.7 – 3” Aperture

### ACCESSORIES

#### OPTICAL

ORDERING CODE	DESCRIPTION	PICTURE
AE-TL-CD-HX	Hex louver Reduce the glare of the light source and luminaire	
AE-TL-CD-SNT-BK	Black Snoot Control the direction and radius of the light beam	
AE-TL-CD-SNT-WH	White Snoot Control the direction and radius of the light beam	

### MOUNTING ACCESSORIES

ORDERING CODE	DESCRIPTION	PICTURE
T10016	Monopoint adapter Surface / wall mount Compatible with Juno system 1 Track head can be installed.	
T10017	Duopoint adapter Surface / wall mount Compatible with Juno system. 2 Track heads can be installed.	

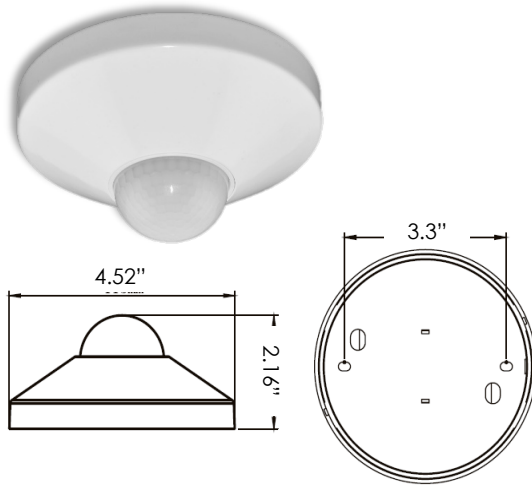
## TRACK LED LIGHT

Cylinder Track Head | 1.7 – 3” Aperture

### ROOM OCCUPANCY SENSOR

Ordered separately, field installed

PART NUMBER	DESCRIPTION
AE-CT-DT806	Detecta - Room Occupancy Sensor
RC100	RC102 Remote Control



SPECIFICATIONS		
Input Voltage	120-277 Vac	
Power Frequency	50/60HZ	
Rated Load	At 120 Vac	800W
	At 277 Vac	1200W
Detection Range	3-10 Meters	
	9.8-32.75 Feet	
Standby Power	~0.9W	
Time Setting	10 sec to 30 min	
Light Control	10-2,000LUX	
Installation	Ceiling Mounted	

### DIMMER COMPATIBILITY LIST

TRIAC/ELV Dimming

Brand	Model
LUTRON	DV-600P
	DVELV-303P
	NTELV-600
	MAELV-600
	SELV-300P
	DVLV-600P
	NFTU-5A
	CTCL-153P
	GL-600H
	S-600P

## TRACK LED LIGHT

Cylinder Track Head | 1.7" Aperture | 4.7" Length

### LUMEN ESTIMATE – CHANDRA MINI

Lumen output varies based on CCT and CRI. An estimate of lumen output of the various CCT/CRI combinations, use correction factors as per table below:

#### LUMEN ESTIMATE ADJUSTMENT FACTORS

CCT	2700K	3000K	3500K	4000K
PREMIUM (90 CRI)	0.8	0.86	0.93	0.93

### PHOTOMETRIC DATA – CHANDRA MINI

PART NUMBER		ZONAL LUMEN SUMMARY			POLAR LUMINOUS INTENSITY	CONE DISTRIBUTION			
AE-CDM-12HSP30XXJ1BK		Zone	Lumens	% Fixture	Direct Light	Center Beam Fc		Beam Width	
Wattage	13.4W	0-20°	769.87	71.4		1.7ft	2138 fc	0.6 ft	0.6 ft
CCT	3000K	0-30°	923.22	85.7		3.3ft	567 fc	1.2 ft	1.2 ft
Distribution	21°	0-40°	982.35	91.1		5.0ft	247 fc	1.9 ft	1.9 ft
CBCP	6226	0-60°	1020.44	94.7		6.7ft	138 fc	2.5 ft	2.5 ft
		0-80°	1034.35	96		8.3ft	89.7 fc	3.1 ft	3.1 ft
		0-90°	1040.5	96.5		10.0ft	61.8 fc	3.7 ft	3.7 ft
						<span style="color: blue;">■</span> Vert. Spread: 21.2° <span style="color: red;">■</span> Horiz. Spread: 21.2°			

PART NUMBER		ZONAL LUMEN SUMMARY			POLAR LUMINOUS INTENSITY	CONE DISTRIBUTION			
AE-CDM-12HNF30XXJ1BK		Zone	Lumens	% Fixture	Direct Light	Center Beam Fc		Beam Width	
Wattage	13.4W	0-20°	769.87	71.4		1.7ft	1554 fc	0.7 ft	0.7 ft
CCT	3000K	0-30°	923.22	85.7		3.3ft	412 fc	1.4 ft	1.4 ft
Distribution	24°	0-40°	982.35	91.1		5.0ft	180 fc	2.2 ft	2.2 ft
CBCP	4499	0-60°	1020.44	94.7		6.7ft	100 fc	2.9 ft	2.9 ft
		0-80°	1034.35	96		8.3ft	65.2 fc	3.6 ft	3.6 ft
		0-90°	1040.5	96.5		10.0ft	44.9 fc	4.3 ft	4.3 ft
						<span style="color: blue;">■</span> Vert. Spread: 24.3° <span style="color: red;">■</span> Horiz. Spread: 24.4°			

PART NUMBER		ZONAL LUMEN SUMMARY			POLAR LUMINOUS INTENSITY	CONE DISTRIBUTION			
AE-CDM-12HFLP30XXXXXX		Zone	Lumens	% Fixture	Direct Light	Center Beam Fc		Beam Width	
Wattage	13.4W	0-20°	716.82	66.8		1.7ft	1183 fc	0.9 ft	0.9 ft
CCT	3000K	0-30°	913.59	85.2		3.3ft	314 fc	1.7 ft	1.7 ft
Distribution	29°	0-40°	974.93	90.9		5.0ft	137 fc	2.6 ft	2.6 ft
CBCP	3424	0-60°	1012.94	94.4		6.7ft	76.2 fc	3.4 ft	3.5 ft
		0-80°	1027.24	95.8		8.3ft	49.6 fc	4.3 ft	4.3 ft
		0-90°	1033.71	96.4		10.0ft	34.2 fc	5.1 ft	5.2 ft
						<span style="color: blue;">■</span> Vert. Spread: 28.8° <span style="color: red;">■</span> Horiz. Spread: 28.9°			

PART NUMBER		ZONAL LUMEN SUMMARY			POLAR LUMINOUS INTENSITY	CONE DISTRIBUTION			
AE-TL-CDM-12HWFP30X1XX		Zone	Lumens	% Fixture	Direct Light	Center Beam Fc		Beam Width	
Wattage	13.4W	0-20°	468.01	41.2		1.7ft	457 fc	1.8 ft	1.8 ft
CCT	3000K	0-30°	836.41	73.6		3.3ft	121 fc	3.4 ft	3.4 ft
Distribution	55°	0-40°	1012.72	89.1		5.0ft	52.8 fc	5.2 ft	5.2 ft
CBCP	1328	0-60°	1076.6	94.8		6.7ft	29.4 fc	6.9 ft	6.9 ft
		0-80°	1090.49	96		8.3ft	19.2 fc	8.6 ft	8.6 ft
		0-90°	1097.06	96.6		10.0ft	13.2 fc	10.3 ft	10.3 ft
						<span style="color: blue;">■</span> Vert. Spread: 54.6° <span style="color: red;">■</span> Horiz. Spread: 54.7°			

## TRACK LED LIGHT

Cylinder Track Head | 1.75" Aperture | Dim To Warm

### LUMEN ESTIMATE – CHANDRA MINI DTW

Lumen output varies based on CCT and CRI. An estimate of lumen output of the various CCT/CRI combinations, use the table below:

LUMEN ESTIMATE ADJUSTMENT FACTORS				
CCT	2700K	3000K	3500K	4000K
PREMIUM (90CRI)	0.83	0.86	0.93	0.93

### PHOTOMETRIC DATA – CHANDRA MINI DTW

PART NUMBER		ZONAL LUMEN SUMMARY			POLAR LUMINOUS INTENSITY
AE-TL-CDM-DTW12NFP3018XX		Zone	Lumens	% Fixture	Direct Light
Wattage	13.5W	0-20°	794.18	73.5	
CCT	3000K	0-30°	917.29	84.9	
Distribution	20°	0-40°	971.82	90	
CBCP	7530	0-60°	1024.55	94.8	
		0-80°	1047.45	97	
		0-90°	1053.17	97.5	

PART NUMBER		ZONAL LUMEN SUMMARY			POLAR LUMINOUS INTENSITY
AE-TL-CDM-DTW12NFP3018XX		Zone	Lumens	% Fixture	Direct Light
Wattage	19.5W	0-20°	831	75.1	
CCT	3000K	0-30°	938.19	84.8	
Distribution	26°	0-40°	987.95	89.3	
CBCP	5000	0-60°	1046.63	94.6	
		0-80°	1073.49	97	
		0-90°	1079.24	97.5	

PART NUMBER		ZONAL LUMEN SUMMARY			POLAR LUMINOUS INTENSITY
AE-TL-CDM-DTW12NFP3018XX		Zone	Lumens	% Fixture	Direct Light
Wattage	19.5W	0-20°	647	58.5	
CCT	3000K	0-30°	915.46	82.7	
Distribution	38°	0-40°	984.97	89	
CBCP	2450	0-60°	1047.25	94.7	
		0-80°	1073.76	97.1	
		0-90°	1079.77	97.6	

PART NUMBER		ZONAL LUMEN SUMMARY			POLAR LUMINOUS INTENSITY
AE-TL-CDM-DTW12NFP3018XX		Zone	Lumens	% Fixture	Direct Light
Wattage	13.5W	0-20°	399.62	37.4	
CCT	3000K	0-30°	726.02	67.9	
Distribution	56°	0-40°	930.71	87.1	
CBCP	1220	0-60°	1015.88	95	
		0-80°	1038.02	97.1	
		0-90°	1043.48	97.6	

## TRACK LED LIGHT

Cylinder Track Head | 2.5" Aperture | 6.2" Length

### LUMEN ESTIMATE – CHANDRA

Lumen output varies based on CCT and CRI. An estimate of lumen output of the various CCT/CRI combinations, use correction factors as per table below:

LUMEN ESTIMATE ADJUSTMENT FACTORS				
CCT	2700K	3000K	3500K	4000K
PREMIUM (90 CRI)	0.8	0.86	0.93	0.93

### PHOTOMETRIC DATA – CHANDRA

PART NUMBER		ZONAL LUMEN SUMMARY			POLAR LUMINOUS INTENSITY	CONE DISTRIBUTION			
AE-TL-CD-12NFP30J1XX		Zone	Lumens	% Fixture	Direct Light	Center Beam Fc	Beam Width		
Wattage	20W	0-20°	1348.83	79.30		1.7ft	5305 fc	0.4 ft	0.4 ft
CCT	3000K	0-30°	1545.98	90.90		3.3ft	1408 fc	0.8 ft	0.8 ft
Distribution	13°	0-40°	1618.58	95.20		5.0ft	613 fc	1.2 ft	1.2 ft
CBCP	4499	0-60°	1659.99	97.60		6.7ft	342 fc	1.6 ft	1.6 ft
		0-80°	1669.31	98.20		8.3ft	223 fc	2.0 ft	2.0 ft
		0-90°	1673.87	98.40	10.0ft	153 fc	2.4 ft	2.4 ft	
						<span style="color: blue;">■</span> Vert. Spread: 13.7° <span style="color: red;">■</span> Horiz. Spread: 13.6°			

PART NUMBER		ZONAL LUMEN SUMMARY			POLAR LUMINOUS INTENSITY	CONE DISTRIBUTION			
AE-TL-CD-12FLP30J1XX		Zone	Lumens	% Fixture	Direct Light	Center Beam Fc	Beam Width		
Wattage	20W	0-20°	1234.44	75.20		1.7ft	2490 fc	0.7 ft	0.7 ft
CCT	3000K	0-30°	1453.48	88.50		3.3ft	661 fc	1.4 ft	1.5 ft
Distribution	25°	0-40°	1543.37	94.00		5.0ft	288 fc	2.2 ft	2.2 ft
CBCP	3424	0-60°	1603.31	97.60		6.7ft	160 fc	2.9 ft	3.0 ft
		0-80°	1612.7	98.20		8.3ft	104 fc	3.6 ft	3.7 ft
		0-90°	1616.62	98.40	10.0ft	72 fc	4.4 ft	4.4 ft	
						<span style="color: blue;">■</span> Vert. Spread: 24.6° <span style="color: red;">■</span> Horiz. Spread: 24.9°			

PART NUMBER		ZONAL LUMEN SUMMARY			POLAR LUMINOUS INTENSITY	CONE DISTRIBUTION			
AE-TL-CD-12WFP30J1XX		Zone	Lumens	% Fixture	Direct Light	Center Beam Fc	Beam Width		
Wattage	20W	0-20°	1214.27	70.00		1.7ft	1619 fc	1.1 ft	1.1 ft
CCT	3000K	0-30°	1561.95	90.00		3.3ft	430 fc	2.1 ft	2.0 ft
Distribution	35°	0-40°	1647.39	94.90		5.0ft	187 fc	3.1 ft	3.1 ft
CBCP	1328	0-60°	1695.17	97.70		6.7ft	104 fc	4.2 ft	4.2 ft
		0-80°	1704.35	98.20		8.3ft	67.9 fc	5.2 ft	5.1 ft
		0-90°	1708.51	98.40	10.0ft	46.8 fc	6.3 ft	6.2 ft	
						<span style="color: blue;">■</span> Vert. Spread: 34.7° <span style="color: red;">■</span> Horiz. Spread: 34.4°			

## TRACK LED LIGHT

Cylinder Track Head | 2.5" Aperture | Dim To Warm

### LUMEN ESTIMATE

Lumen output varies based on CCT and CRI. An estimate of lumen output of the various CCT/CRI combinations, use the table below:

LUMEN ESTIMATE ADJUSTMENT FACTORS				
CCT	2700K	3000K	3500K	4000K
PREMIUM (90CRI)	0.83	0.86	0.93	0.93

### PHOTOMETRIC DATA

PART NUMBER		ZONAL LUMEN SUMMARY			POLAR LUMINOUS INTENSITY
AE-TL-CD-DTW12NFP3018XX		Zone	Lumens	% Fixture	Direct Light
Wattage	19.5W	0-20°	1264.1	74.5	
CCT	3000K	0-30°	1466.21	86.4	
Distribution	20°	0-40°	1543.51	91	
CBCP	8420	0-60°	1623.67	95.7	
		0-80°	1657.89	97.7	
		0-90°	1664.72	98.1	

PART NUMBER		ZONAL LUMEN SUMMARY			POLAR LUMINOUS INTENSITY
AE-TL-CD-DTW12FLP3018XX		Zone	Lumens	% Fixture	Direct Light
Wattage	19.5W	0-20°	1250.27	73.4	
CCT	3000K	0-30°	1450.4	85.2	
Distribution	28°	0-40°	1532.58	90	
CBCP	6280	0-60°	1623.61	95.4	
		0-80°	1663.86	97.7	
		0-90°	1671.01	98.2	

PART NUMBER		ZONAL LUMEN SUMMARY			POLAR LUMINOUS INTENSITY
AE-TL-CD-DTW12WFP3018XX		Zone	Lumens	% Fixture	Direct Light
Wattage	19.5W	0-20°	1094.13	64.1	
CCT	3000K	0-30°	1490.42	87.3	
Distribution	39°	0-40°	1560.02	91.4	
CBCP	4050	0-60°	1635.82	95.8	
		0-80°	1671.13	97.9	
		0-90°	1677.44	98.3	

PART NUMBER		ZONAL LUMEN SUMMARY			POLAR LUMINOUS INTENSITY
AE-TL-CD-DTW12VWFP3018XX		Zone	Lumens	% Fixture	Direct Light
Wattage	19.5W	0-20°	607.74	35.7	
CCT	3000K	0-30°	1128.85	66.3	
Distribution	60°	0-40°	1471.69	86.4	
CBCP	1780	0-60°	1623.26	95.3	
		0-80°	1666.63	97.9	
		0-90°	1673.51	98.3	

## TRACK LED LIGHT

Cylinder Track Head | 2.75" Aperture | 7.1" Length

### LUMEN ESTIMATE – CHANDRA GRANDE

Lumen output varies based on CCT and CRI. An estimate of lumen output of the various CCT/CRI combinations, use correction factors as per table below:

#### LUMEN ESTIMATE ADJUSTMENT FACTORS

CCT	2700K	3000K	3500K	4000K
PREMIUM (90CRI)	0.8	0.86	0.93	0.93

### PHOTOMETRIC DATA – CHANDRA GRANDE

PART NUMBER		ZONAL LUMEN SUMMARY			POLAR LUMINOUS INTENSITY	CONE DISTRIBUTION			
AE-CDG-XXWNFP30J1XX		Zone	Lumens	% Fixture	Direct Light	Center Beam Fc	Beam Width		
Wattage	28W	0-20°	1697.17	69.2		1.7ft	4744 fc	0.6 ft	0.6 ft
CCT	3000K	0-30°	2,103.63	85.8		3.3ft	1259 fc	1.1 ft	1.1 ft
Distribution	19°	0-40°	2,287.96	93.3		5.0ft	548 fc	1.7 ft	1.7 ft
CBCP	11324	0-60°	2,400.90	97.9		6.7ft	305 fc	2.2 ft	2.3 ft
		0-80°	2419.96	98.7		8.3ft	199 fc	2.8 ft	2.8 ft
		0-90°	2424.01	98.8		10.0ft	137 fc	3.4 ft	3.4 ft
						<span style="color:blue">■</span> Vert. Spread: 19.1° <span style="color:red">■</span> Horiz. Spread: 19.3°			

PART NUMBER		ZONAL LUMEN SUMMARY			POLAR LUMINOUS INTENSITY	CONE DISTRIBUTION			
AE-CDG-XXWFLP30J1XX		Zone	Lumens	% Fixture	Direct Light	Center Beam Fc	Beam Width		
Wattage	28W	0-20°	1697.17	69.2		1.7ft	2846 fc	0.9 ft	0.9 ft
CCT	3000K	0-30°	2,103.63	85.8		3.3ft	755 fc	1.7 ft	1.7 ft
Distribution	28°	0-40°	2,287.96	93.3		5.0ft	329 fc	2.5 ft	2.5 ft
CBCP	6859	0-60°	2400.9	97.9		6.7ft	183 fc	3.4 ft	3.4 ft
		0-80°	2419.96	98.7		8.3ft	119 fc	4.2 ft	4.2 ft
		0-90°	2424.01	98.8		10.0ft	82.3 fc	5.1 ft	5.1 ft
						<span style="color:blue">■</span> Vert. Spread: 28.6° <span style="color:red">■</span> Horiz. Spread: 28.4°			

PART NUMBER		ZONAL LUMEN SUMMARY			POLAR LUMINOUS INTENSITY	CONE DISTRIBUTION			
AE-CDG-XXWWFP30J1XX		Zone	Lumens	% Fixture	Direct Light	Center Beam Fc	Beam Width		
Wattage	28W	0-20°	1439.54	59.2		1.7ft	1821 fc	1.2 ft	1.2 ft
CCT	3000K	0-30°	1986.48	81.7		3.3ft	483 fc	2.2 ft	2.2 ft
Distribution	37°	0-40°	2,205.26	90.6		5.0ft	210 fc	3.4 ft	3.4 ft
CBCP	4371	0-60°	2,372.32	97.5		6.7ft	117 fc	4.5 ft	4.6 ft
		0-80°	2401.56	98.7		8.3ft	76.4 fc	5.6 ft	5.6 ft
		0-90°	2405.4	98.9		10.0ft	52.6 fc	6.8 ft	6.8 ft
						<span style="color:blue">■</span> Vert. Spread: 37.5° <span style="color:red">■</span> Horiz. Spread: 37.5°			

PART NUMBER		ZONAL LUMEN SUMMARY			POLAR LUMINOUS INTENSITY	CONE DISTRIBUTION			
AE-CDG-XXWVFP30J1XX		Zone	Lumens	% Fixture	Direct Light	Center Beam Fc	Beam Width		
Wattage	28W	0-20°	841.97	34.4		1.7ft	818 fc	2.0 ft	2.0 ft
CCT	3000K	0-30°	1604.61	65.5		3.3ft	217 fc	3.9 ft	3.9 ft
Distribution	61°	0-40°	2110.05	86.1		5.0ft	94.5 fc	5.9 ft	5.9 ft
CBCP	1988	0-60°	2400.05	97.9		6.7ft	52.6 fc	7.9 ft	8.0 ft
		0-80°	2421.92	98.8		8.3ft	34.3 fc	9.8 ft	9.9 ft
		0-90°	2425.45	99		10.0ft	23.6 fc	11.8 ft	11.9 ft
						<span style="color:blue">■</span> Vert. Spread: 61.2° <span style="color:red">■</span> Horiz. Spread: 61.4°			

## TRACK LED LIGHT

Cylinder Track Head | 3" Aperture | 7.9" Length

### LUMEN ESTIMATE – CHANDRA MAX

Lumen output varies based on CCT and CRI. An estimate of lumen output of the various CCT/CRI combinations, use correction factors as per table below:

LUMEN ESTIMATE ADJUSTMENT FACTORS				
CCT	2700K	3000K	3500K	4000K
PREMIUM (90 CRI)	0.8	0.86	0.93	0.93

### PHOTOMETRIC DATA – CHANDRA MAX

PART NUMBER		ZONAL LUMEN SUMMARY			POLAR LUMINOUS INTENSITY	CONE DISTRIBUTION			
AE-CDX-XXWNFP30J1XX		Zone	Lumens	% Fixture	Direct Light	Center Beam Fc		Beam Width	
Wattage	41W	0-20°	2831.94	68.6		1.7ft	<b>6931 fc</b>	<b>0.6 ft</b>	<b>0.6 ft</b>
CCT	3000K	0-30°	3598.61	87.2		3.3ft	<b>1839 fc</b>	<b>1.1 ft</b>	<b>1.1 ft</b>
Distribution	20°	0-40°	3877.57	93.9		5.0ft	<b>801 fc</b>	<b>1.7 ft</b>	<b>1.7 ft</b>
CBCP	17000	0-60°	4022.91	97.4		6.7ft	<b>446 fc</b>	<b>2.3 ft</b>	<b>2.3 ft</b>
		0-80°	4059.87	98.3		8.3ft	<b>291 fc</b>	<b>2.8 ft</b>	<b>2.8 ft</b>
		0-90°	4069.26	98.5		10.0ft	<b>200 fc</b>	<b>3.4 ft</b>	<b>3.4 ft</b>
							■ Vert. Spread: 19.3° ■ Horiz. Spread: 19.5°		

PART NUMBER		ZONAL LUMEN SUMMARY			POLAR LUMINOUS INTENSITY	CONE DISTRIBUTION			
AE-CDX-12-XXWFLP30J1XX		Zone	Lumens	% Fixture	Direct Light	Center Beam Fc		Beam Width	
Wattage	41W	0-20°	2555.35	65.80		1.7ft	<b>4795 fc</b>	<b>0.8 ft</b>	<b>0.8 ft</b>
CCT	3000K	0-30°	3313.88	85.40		3.3ft	<b>1273 fc</b>	<b>1.5 ft</b>	<b>1.5 ft</b>
Distribution	25°	0-40°	3603.62	92.90		5.0ft	<b>554 fc</b>	<b>2.2 ft</b>	<b>2.2 ft</b>
CBCP	12850	0-60°	3789.05	97.60		6.7ft	<b>309 fc</b>	<b>3.0 ft</b>	<b>3.0 ft</b>
		0-80°	3830.14	98.70		8.3ft	<b>201 fc</b>	<b>3.7 ft</b>	<b>3.7 ft</b>
		0-90°	3836.41	98.90		10.0ft	<b>139 fc</b>	<b>4.5 ft</b>	<b>4.5 ft</b>
							■ Vert. Spread: 25.3° ■ Horiz. Spread: 25.3°		

PART NUMBER		ZONAL LUMEN SUMMARY			POLAR LUMINOUS INTENSITY	CONE DISTRIBUTION			
AE-TL-CDX-12-XXWVFP30XXJ1XX		Zone	Lumens	% Fixture	Direct Light	Center Beam Fc		Beam Width	
Wattage	41W	0-20°	2266.37	56.70		1.7ft	<b>2834 fc</b>	<b>1.2 ft</b>	<b>1.2 ft</b>
CCT	3500K	0-30°	3323.19	83.10		3.3ft	<b>752 fc</b>	<b>2.3 ft</b>	<b>2.3 ft</b>
Distribution	40°	0-40°	3704.69	92.70		5.0ft	<b>328 fc</b>	<b>3.5 ft</b>	<b>3.5 ft</b>
CBCP	7700	0-60°	3904.63	97.70		6.7ft	<b>182 fc</b>	<b>4.7 ft</b>	<b>4.7 ft</b>
		0-80°	3946.78	98.70		8.3ft	<b>119 fc</b>	<b>5.8 ft</b>	<b>5.8 ft</b>
		0-90°	3953.27	98.90		10.0ft	<b>81.9 fc</b>	<b>7.0 ft</b>	<b>7.0 ft</b>
							■ Vert. Spread: 38.7° ■ Horiz. Spread: 38.5°		

PART NUMBER		ZONAL LUMEN SUMMARY			POLAR LUMINOUS INTENSITY	CONE DISTRIBUTION			
AE-TL-CDX-12-XXWVFP30XXJ1XX		Zone	Lumens	% Fixture	Direct Light	Center Beam Fc		Beam Width	
Wattage	41W	0-20°	1449.76	35.60		1.7ft	<b>1423 fc</b>	<b>2.0 ft</b>	<b>2.0 ft</b>
CCT	4000K	0-30°	2735.08	67.20		3.3ft	<b>378 fc</b>	<b>3.8 ft</b>	<b>3.9 ft</b>
Distribution	60°	0-40°	3569.89	87.70		5.0ft	<b>165 fc</b>	<b>5.8 ft</b>	<b>5.8 ft</b>
CBCP	3700	0-60°	3983.09	97.80		6.7ft	<b>91.6 fc</b>	<b>7.8 ft</b>	<b>7.8 ft</b>
		0-80°	4020.74	98.80		8.3ft	<b>59.7 fc</b>	<b>9.7 ft</b>	<b>9.7 ft</b>
		0-90°	4027.22	98.90		10.0ft	<b>41.1 fc</b>	<b>11.7 ft</b>	<b>11.7 ft</b>
							■ Vert. Spread: 60.5° ■ Horiz. Spread: 60.6°		

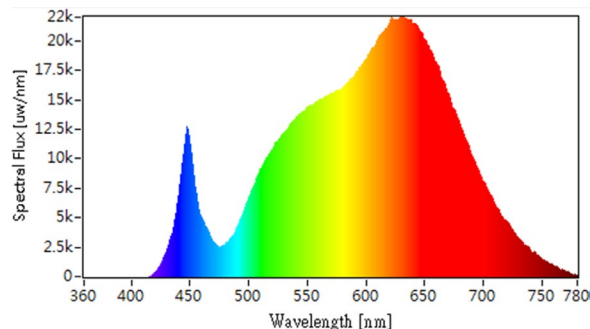
## TRACK LED LIGHT

Cylinder Track Head | 1.7 – 3" Aperture | Dim To Warm

### LUMEN SPECTRAL – CHANDRA MINI DTW

AE-TL-CDM-DTW12WFP3018XXXX	
Wattage	13.5W
CCT	3000K
Distribution	26°

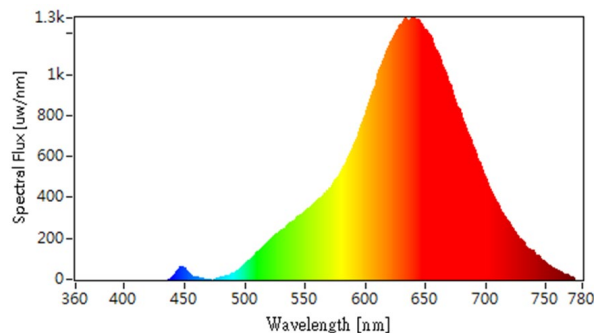
AE-TL-CDM-DTW12WFP3018XXXX	
Wattage	13.5W
CCT	1800K
Distribution	26°



### LUMEN SPECTRAL – CHANDRA DTW

AE-TL-CD-DTW12WFP3018XXXX	
Wattage	19.5W
CCT	3000K
Distribution	28°

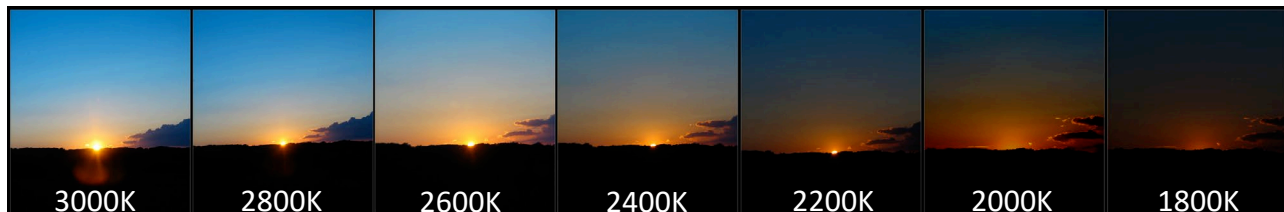
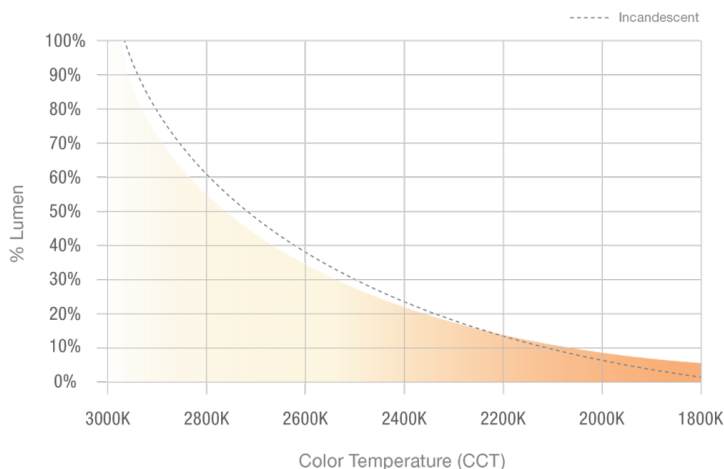
AE-TL-CD-DTW12WFP3018XXXX	
Wattage	19.5W
CCT	1800K
Distribution	28°



## DIM TO WARM

This feature allows for precise control of color temperature (CCT) based on power levels. At 3000K, the fixture delivers a full 1050 lumens, providing bright, invigorating light perfect for work and productivity. As you dim the light to 1800K, it transitions to a gentle glow, offering just 50 lumens—a warm, soft light ideal for hosting gatherings or unwinding in the evening. This smooth transition beautifully mimics the calming stages of a sunset, enhancing the ambiance of any space.

Change in CCT with respect to dimming profile



## TRACK LED LIGHT

Cylinder Track Head | 2.5" Aperture | 6.2" Length

### OVERVIEW



#### Innovative Design

- Aluminum die-cast housing for better heat dissipation.
- Improved design extends LED and driver lifespan.



#### Multiple Options

- 9 – 41W power.
- Variety of beam angles.
- Four CCTs available.
- Two CRI options: 90 | 97
- Black, white, and silver finishes.
- Three bezel options: black, bronze, and gold.



#### Mountings Available

- Choose from any of the popular track systems such as Juno, Halo, Lightolier, or Global.
- Surface mount with either monopoint or duopoint adapters.



#### Tests And Certifications



#### Accessories

- Hex louvers and snoots to customize your track fixtures

