

CHRONOS

OUTDOOR PRODUCTS

Sconce



The Chronos Series differentiates itself from other outdoor cylinders through its elegant hourglass design. This wall wash up and down sconce light has IK08 protection and IP66 rated with its powder coating finish.

eralux®



DATE				
PROJECT NAME				
TYPE				
QTY				
ORDERING CODE	AE-OD-CR-060-8030/40/50	-3030	-CA	-

OPERATING & ELECTRICAL

INPUT VOLTAGE	100-347Vac
POWER FACTOR	0.9
DIMMING	0-10V dimming
TOTAL HARMONIC DISTORTION (THD)	<20%

PERFORMANCE

LUMENS PER WATT	~100 LPW at 80CRI
POWER CONSUMPTION	60W
BEAM ANGLE	up & down 15°, 30°, 60°

MECHANICAL & HOUSING

HOUSING	Aluminum alloy
LENS	Highly durable, polycarbonate and glass lens ensures high efficiency light output for a clean, evenly illuminated surface with minimal glare.
FINISH	Black (RAL9017) and Bronze powder coat finish
POWER SUPPLY	Factory wired electronic LED driver
LED BOARD	COB

APPLICATION CONDITION

AMBIENT TEMPERATURE RANGE	-30 to 45°C
Surge Protection	2kV line-line, 2kV line-earth 4kV line-line, 5kV line-earth
Protection	IP66 IK08

COMPATIBLE MOUNTING

MOUNTING	Surface Mount
----------	---------------

WARRANTY

SYSTEM WARRANTY – 5 YEARS

Eralux will warrant defective drivers, LEDs and boards for 5 years from the date of purchase. This warranty is valid only if the fixture is installed and used as per installation guides and specifications. If a defect is present, Eralux will send drivers and boards at no fee with a thorough replacement instructions along with instructions on the return of the defective parts back to Eralux.

LUMEN MAINTENANCE – L90 at 40,000 hours

Rated for 85% initial lumen output at 40,000 hours of operation, operated at 25°C ambient temperature; per guidelines published by the Illuminating Engineering Society (IES). (L85 at 50,000 hours)

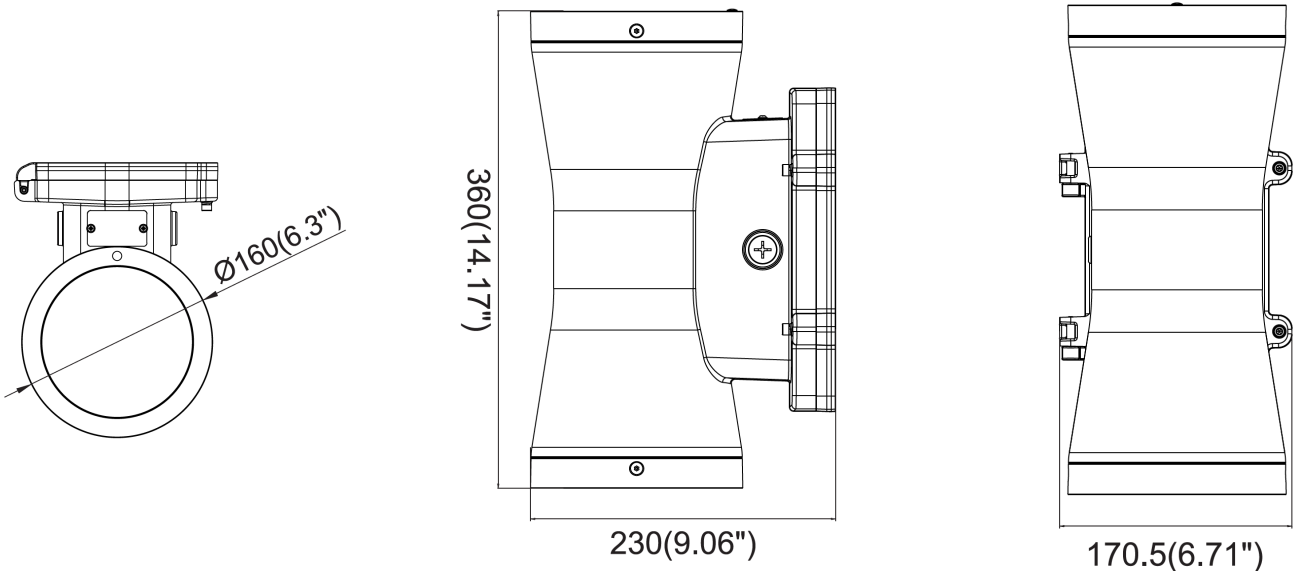
DATE				
PROJECT NAME				
TYPE				
QTY				
ORDERING CODE	AE-OD-CR-060-8030/40/50	-3030	-CA	-

ORDERING GUIDE

EXAMPLE: AE-OD-CR-060-8030/40/50-1515-CA-BZ

FIXTURE FAMILY	POWER	CRI	CCT	BEAM ANGLE		VOLTAGE	CONTROL	FINISH
AE-OD-CR	-060	-80	30/40/50	-30	30	-CA	-	-
ERALUX CHRONOS outdoor surface mounted sconce fixture	-060 Power switchable: 18W/30W/45W/ 60W	-80 80 CRI	30/40/50 3000K/4000K /5000K CCT selectable	30 30° up beam angle	30 30° down beam angle	-CA 120 – 347V	-[LEAVE BLANK] 0-10V dimming	-BZ Bronze powder coat finish
							-PH Photocell control option	-BK Black powder coat finish

DIMENSIONS



DATE			
PROJECT NAME			
TYPE			
QTY			
ORDERING CODE	AE-OD-CR-060-8030/40/50	-3030	-CA -

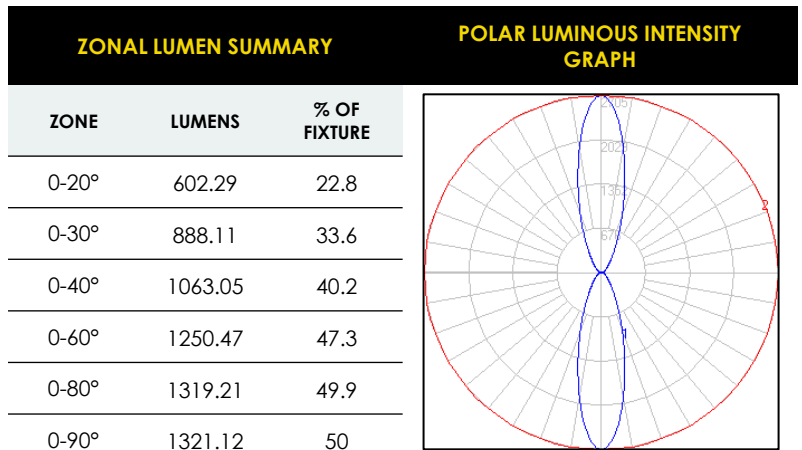
LUMEN ESTIMATE

Lumen output varies based on CCT and CRI. An estimate of lumen output of the various CCT/CRI combinations, use correction factors as per table below:

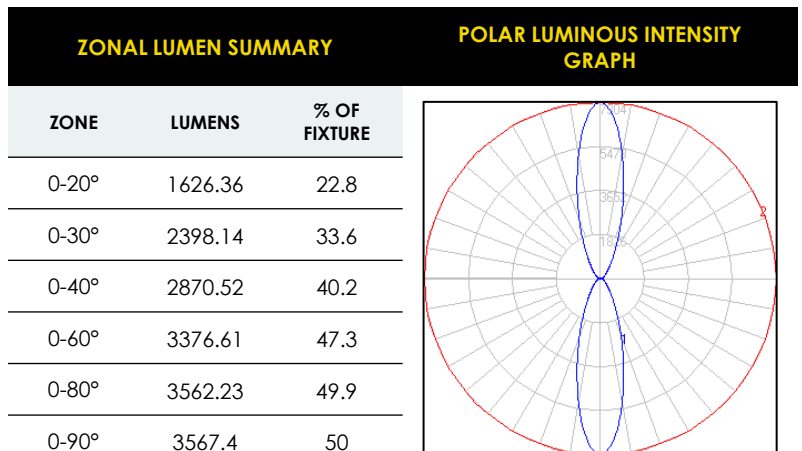
LUMEN ESTIMATE ADJUSTMENT FACTORS				
CCT	2700K	3000K	3500K	4000K
PREMIUM (90CRI)	0.91	1	1.02	1.03

PHOTOMETRIC DATA

AE-OD-CR-060-30-BZ
AT 20W 4000K



AE-OD-CR-060-30-BZ
AT 60W 4000K



DATE				
PROJECT NAME				
TYPE				
QTY				
ORDERING CODE	AE-OD-CR-060-8030/40/50	-3030	-CA	-

ACCESSORIES

Ordered separately, field installed

EMERGENCY LED DRIVER (BLD-CM20N-480800-8W)

BLD-CM20N-480800-8W

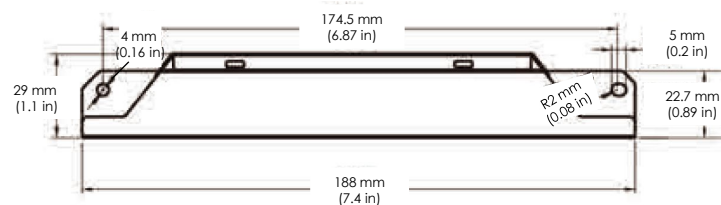
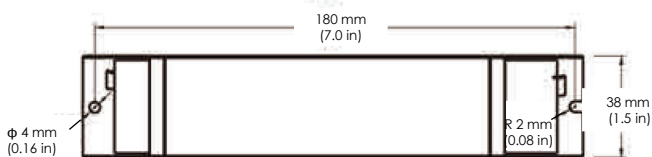
OUTPUT POWER : 8 WATTS



- Easy Wiring
- Certified For CA Title 20
- Constant Power Performance

BLD-CM20N-480800-8W LED Emergency Driver is UL listed for field and factory installation that allows the same LED fixture to be used for both normal and emergency operation. In the event of a power failure, the emergency driver switches to emergency mode and operates the fixture for 90 minutes. The unit contains a battery, charge, and converter circuit in a single enclosure. This module will operate a LED array load at 8W with constant power at a rated output voltage of 25-48 VDC. The constant power design of BLD-CM20N-480800-8W maintains the output wattage to the LED array, providing consistent illumination for the entire emergency runtime. Its slim shape is ideal for use indoor or outdoor LED lighting fixtures, such as linear lights, wall packs or sconces, etc.

DIMENSIONS (inches and mm)



DATE				
PROJECT NAME				
TYPE				
QTY				
ORDERING CODE	AE-OD-CR-060-8030/40/50	-3030	-CA	-

OVERVIEW



MODERN DESIGN

The wall mounted up and down light fixture with an hourglass shape will brighten up spaces elegantly.

SWITCHABLE POWERS AND CCT

Available in 18W, 30W, 45W and 60W power consumptions and 3000K, 4000K and 5000K CCT options to choose from.



INCREDIBLE PROTECTION

To ensure the protection of the fixture, the Chronos is IP66 and IK08 rated.

