

CHRONOS

OUTDOOR LED LIGHT

ARCHITECTURAL SCONCES | DIRECT- INDIRECT

The Chronos Series outdoor scone features an elegant hourglass design, offering up and down lighting. With IP66 weatherproofing and IK08 impact resistance, it's built for durability. Its sleek, modern design and robust construction make it perfect for both aesthetic appeal and long-lasting performance in any outdoor setting.

Application: Commercial entrances | Outdoor landscapes | Facades | Residential Exteriors

eralux®

| | DATE | QTY | ACC. QTY | TYPE |
|--------------|------|-----|----------|------|
| PROJECT | | | | |
| PN | | | | |
| ACCESSORY PN | | | | |
| NOTES | | | | |




DYNAMIC MENU

| | |
|-------------------|------------------------|
| Order Information | Page 2 |
| Dimensions | Page 3 |
| Accessories | Page 4 |
| Photometric Data | Page 5 |

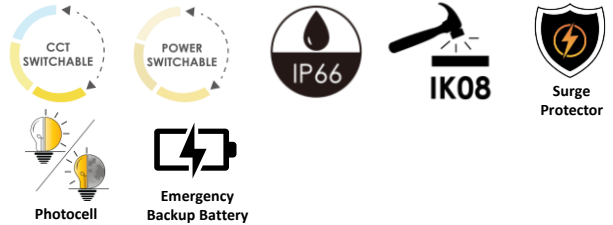
[Install Instruction link](#)

SPECIFICATIONS

| | |
|---------------------------|--|
| Input Voltage | 120-277V |
| Power Factor | >0.9 |
| Total Harmonic Distortion | <20% |
| Dimming | 0-10V dimming |
| CRI | 70 CRI |
| CCT | <div style="display: flex; gap: 10px;"> <div style="border: 1px solid black; border-radius: 50%; width: 20px; height: 20px; background-color: #fff9c4; display: flex; align-items: center; justify-content: center;">30K</div> <div style="border: 1px solid black; border-radius: 50%; width: 20px; height: 20px; background-color: #e1f5fe; display: flex; align-items: center; justify-content: center;">35K</div> <div style="border: 1px solid black; border-radius: 50%; width: 20px; height: 20px; background-color: #e1f5fe; display: flex; align-items: center; justify-content: center;">40K</div> <div style="border: 1px solid black; border-radius: 50%; width: 20px; height: 20px; background-color: #e1f5fe; display: flex; align-items: center; justify-content: center;">50K</div> </div> |
| Efficacy | ~100 lm/W |
| Power | 18 30 45 60W |
| Ambient Temperature Range | -30°C to 45°C |
| Mounting Options | Wall Mount |
| Fixture Finish | Black Bronze  |
| Controls | Photocell |
| Protection | IP66; Water and Dust resistance IK08; Impact resistance 4kv line-line, 5kv line-earth Surge |
| Lens | Polycarbonate Lens |
| Distribution | 30° direct/indirect  |



PRODUCT FEATURES



PRODUCT CERTIFICATIONS



SYSTEM WARRANTY – 5 YEARS

Eralux will warrant defective drivers, LEDs and boards for 5 years from the date of purchase. This warranty is valid only if the fixture is installed and used as per installation guides and specifications. If a defect is present, Eralux will send drivers and boards at no fee with a thorough replacement instructions along with instructions on the return of the defective parts back to Eralux.

LUMEN MAINTENANCE – L90 at 40,000 hours

Rated for 70% initial lumen output at 40,000 hours of operation, operated at 25°C ambient temperature; per guidelines published by the Illuminating Engineering Society (IES).

OUTDOOR LED LIGHT

ARCHITECTURAL SCONCES | DIRECT- INDIRECT



ORDERING GUIDE

| | | | | | | |
|--|--|----------------------|--|--|--|---|
| AE-OD-CR | -060 | -80 | | -3030 | | |
| AE-OD-CR ERALUX CHRONOS Outdoor LED Light | -060 18W/30W/45W/60W Switchable | -80 80 CRI | 30/40/50 3000/4000/5000K Switchable 30/35/40 3000/3500/4000K Switchable | -3030 30° Direct 30° Indirect | -[Blank] 0-10V dimming -PH Photocell | -BZ Bronze powder coat -BK Black powder coat |
| Fixture Family | Power | CRI | CCT | Beam Angle | Control | Finish |



ORDERING GUIDE

[BLANK]
No EMBB

AE-WP-FG-15W-EM-KIT

15W emergency battery backup with
exterior junction box

EMBB

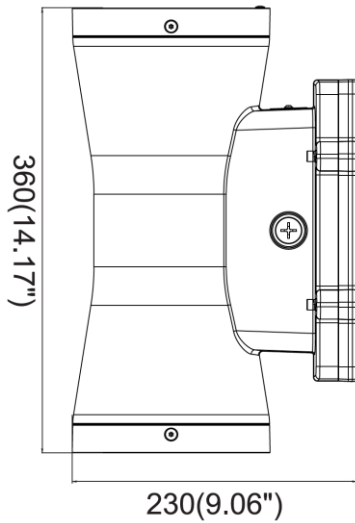
NOTES

- Emergency Battery Back up is ordered separately If needed
- Power Output 15W
- Exterior Junction Box is provided with the EM unit.

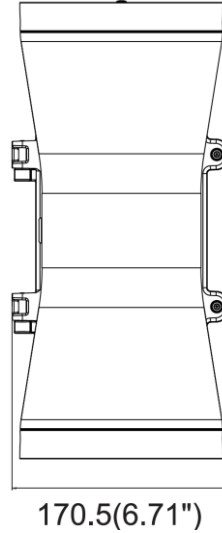
DIMENSIONS

AE-OD-CR-60-80-XX-3030-XX-XX

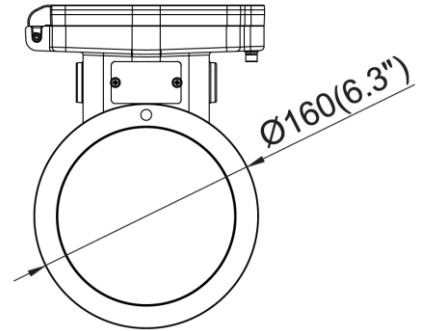
Side View



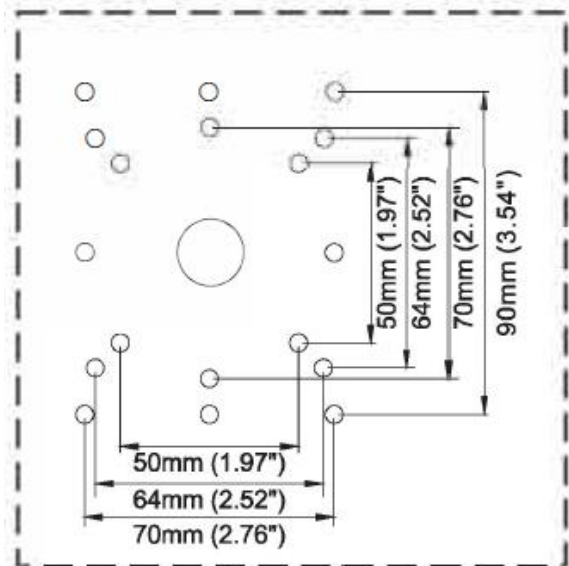
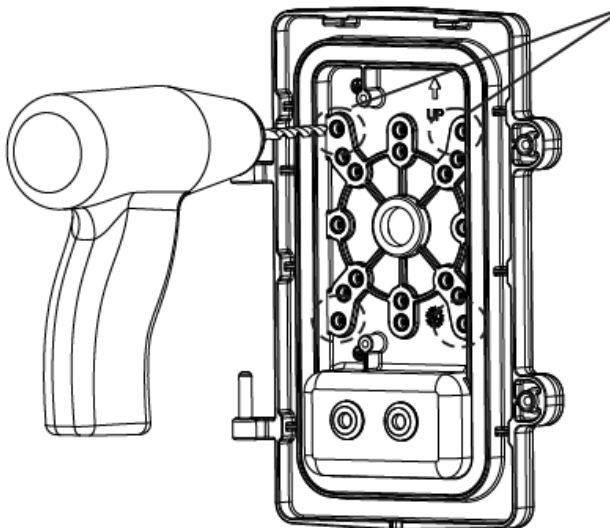
Front View



Top View



Back Plate Installation



CONTROLS

EMERGENCY LED DRIVER

BLD-HM15D-YYY



| SPECIFICATION | |
|---------------------|-----------------------------------|
| Input Voltage | 100-347Vac |
| Power Frequency | 50/60HZ |
| Output Voltage | 170V DC |
| Ambient Temperature | 0°C to 50°C |
| | 30°F to 122°F |
| Output Power | 15W |
| Installation | Remote with exterior junction Box |

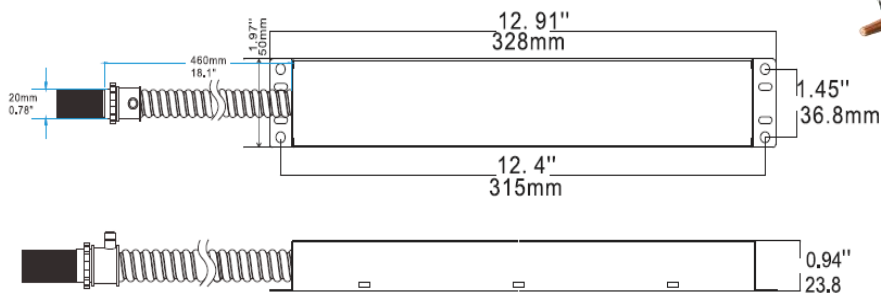
The BLD-HMXXD-YYY series LED Emergency Driver is UL listed for field and factory installations. It switches to emergency mode during power failures, providing up to 90 minutes of lighting. With an integrated battery, charger, and converter, it delivers 6-25W constant power at 170VDC. Ideal for 0-10V dimmable indoor commercial LED fixtures, such as flat panels, troffers, downlights, and linear strip lights.



NOTES

The exterior junction box is wall mounted close to the fixture

DIMENSIONS



PHOTOMETRIC DATA

| PART NUMBER | | ZONAL LUMEN SUMMARY | | | POLAR LUMINOUS INTENSITY |
|--------------------|-----------------------|---------------------|---------|-----------|--------------------------|
| AE-OD-CR-060-40-BZ | | Zone | Lumens | % Fixture | Direct/Indirect |
| Wattage | 10W Direct / Indirect | 0-20° | 602.29 | 22.8 | |
| CCT | 4000K | 0-30° | 888.11 | 33.6 | |
| Distribution | 30° | 0-40° | 1063.05 | 40.2 | |
| | | 0-60° | 1250.47 | 47.3 | |
| | | 0-80° | 1319.21 | 49.9 | |
| | | 0-90° | 1321.12 | 50 | |

| CONE DISTRIBUTION | | | ISO FOOTCANDLE PLOT | |
|---|----------------|--|---------------------|--|
| Center Beam Fc | Beam Width | Distances are in units of mounting height 30ft | | |
| 2.5ft | 1032 fc | 0.7 ft | 0.7 ft | |
| 5.0ft | 258 fc | 1.3 ft | 1.3 ft | |
| 7.5ft | 115 fc | 2.0 ft | 2.0 ft | |
| 10.0ft | 64.5 fc | 2.7 ft | 2.7 ft | |
| 12.5ft | 41.3 fc | 3.4 ft | 3.3 ft | |
| 15.0ft | 28.7 fc | 4.0 ft | 4.0 ft | |
| ■ Vert. Spread: 15.3° ■ Horiz. Spread: 15.1° | | | | |

LUMEN ESTIMATE

Lumen output varies based on CCT and CRI. An estimate of lumen output of the various CCT/CRI combinations, use correction factors as per table below:

| LUMEN ESTIMATE ADJUSTMENT FACTORS | |
|-----------------------------------|-----------------|
| CCT | PREMIUM (80CRI) |
| 3000K | 1 |
| 3500K | 1.02 |
| 4000K | 1.03 |
| 5000K | 1.03 |

| PART NUMBER | | ZONAL LUMEN SUMMARY | | | POLAR LUMINOUS INTENSITY |
|--------------------|-----------------------|---------------------|---------|-----------|--------------------------|
| AE-OD-CR-060-40-BZ | | Zone | Lumens | % Fixture | Direct/Indirect |
| Wattage | 30W Direct / Indirect | 0-20° | 1626.36 | 22.8 | |
| CCT | 4000K | 0-30° | 2398.14 | 33.6 | |
| Distribution | 30° | 0-40° | 2870.52 | 40.2 | |
| | | 0-60° | 3376.61 | 47.3 | |
| | | 0-80° | 3562.23 | 49.9 | |
| | | 0-90° | 3567.4 | 50 | |

| CONE DISTRIBUTION | | | ISO FOOTCANDLE PLOT | |
|---|----------------|--|---------------------|--|
| Center Beam Fc | Beam Width | Distances are in units of mounting height 30ft | | |
| 2.5ft | 3495 fc | 0.7 ft | 0.7 ft | |
| 5.0ft | 874 fc | 1.3 ft | 1.3 ft | |
| 7.5ft | 388 fc | 2.0 ft | 2.0 ft | |
| 10.0ft | 218 fc | 2.7 ft | 2.7 ft | |
| 12.5ft | 140 fc | 3.4 ft | 3.3 ft | |
| 15.0ft | 97.1 fc | 4.0 ft | 4.0 ft | |
| ■ Vert. Spread: 15.3° ■ Horiz. Spread: 15.1° | | | | |

OVERVIEW



Innovative Design

- Die Casting Aluminum
- Polycarbonate Lens



Distribution

UP & DOWN 30°



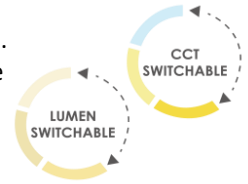
Mounting Available

- Wall mount



Multiple Options

- Four different power switchable from 18/30/45/60W.
- Black, Bronze finishes.
- Three CCTs selectable



Accessories

- Emergency Battery Back up with exterior junction box
- Photocell.



Emergency backup battery



Photocell



Protection



Surge Protector

- Protected against dust ingress.
- Protected against water jets
- Impact resistant
- 2KV surge protector



Tests And Certifications

