

CHRONOS

OUTDOOR LED LIGHT

ARCHITECTURAL SCONCES | DIRECT- INDIRECT

The Chronos Series outdoor scone features an elegant hourglass design, offering up and down lighting. With IP66 weatherproofing and IK08 impact resistance, it's built for durability. Its sleek, modern design and robust construction make it perfect for both aesthetic appeal and long-lasting performance in any outdoor setting.

Application: Commercial entrances | Outdoor landscapes | Facades | Residential Exteriors

eralux®

	DATE	QTY	ACC. QTY	TYPE
PROJECT				
PN				
ACCESSORY PN				
NOTES				





DYNAMIC MENU

Order Information	Page 2
Dimensions	Page 3
Accessories	Page 4
Photometric Data	Page 5

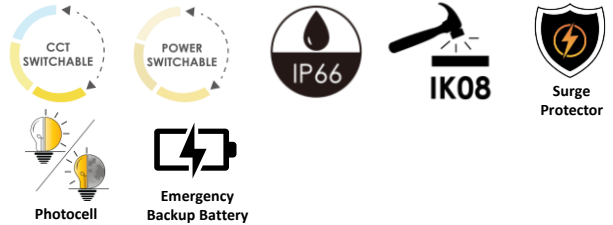
[Install Instruction link](#)

SPECIFICATIONS

Input Voltage	120-277V
Power Factor	>0.9
Total Harmonic Distortion	<20%
Dimming	0-10V dimming
CRI	70 CRI
CCT	<div style="display: flex; gap: 10px;"> <div style="border: 1px solid black; border-radius: 50%; width: 20px; height: 20px; background-color: #fff9c4; display: flex; align-items: center; justify-content: center;">30K</div> <div style="border: 1px solid black; border-radius: 50%; width: 20px; height: 20px; background-color: #e1f5fe; display: flex; align-items: center; justify-content: center;">35K</div> <div style="border: 1px solid black; border-radius: 50%; width: 20px; height: 20px; background-color: #e1f5fe; display: flex; align-items: center; justify-content: center;">40K</div> <div style="border: 1px solid black; border-radius: 50%; width: 20px; height: 20px; background-color: #e1f5fe; display: flex; align-items: center; justify-content: center;">50K</div> </div>
Efficacy	~100 lm/W
Power	18 30 45 60W
Ambient Temperature Range	-30°C to 45°C
Mounting Options	Wall Mount
Fixture Finish	Black Bronze 
Controls	Photocell
Protection	IP66; Water and Dust resistance IK08; Impact resistance 4kv line-line, 5kv line-earth Surge
Lens	Polycarbonate Lens
Distribution	30° direct/indirect 



PRODUCT FEATURES



PRODUCT CERTIFICATIONS



SYSTEM WARRANTY – 5 YEARS

Eralux will warrant defective drivers, LEDs and boards for 5 years from the date of purchase. This warranty is valid only if the fixture is installed and used as per installation guides and specifications. If a defect is present, Eralux will send drivers and boards at no fee with a thorough replacement instructions along with instructions on the return of the defective parts back to Eralux.

LUMEN MAINTENANCE – L90 at 40,000 hours

Rated for 70% initial lumen output at 40,000 hours of operation, operated at 25°C ambient temperature; per guidelines published by the Illuminating Engineering Society (IES).

OUTDOOR LED LIGHT

ARCHITECTURAL SCONCES | DIRECT- INDIRECT



ORDERING GUIDE

AE-OD-CR	-060	-80		-3030-CA		
AE-OD-CR ERALUX CHRONOS Outdoor LED Light	-060 18W/30W/45W/60W Switchable	-80 80 CRI	-30/40/50 3000/4000/5000K Switchable -30/35/40 3000/3500/4000K Switchable	-3030-CA 30° Direct 30° Indirect 120-347V Input voltage	-[Blank] 0-10V dimming -PH Photocell	-BZ Bronze powder coat -BK Black powder coat
Fixture Family	Power	CRI	CCT	Beam Angle	Control	Finish



ORDERING GUIDE

[BLANK]
No EMBB

AE-WP-FG-15W-EM-KIT
15W emergency battery backup with
exterior junction box

EMBB

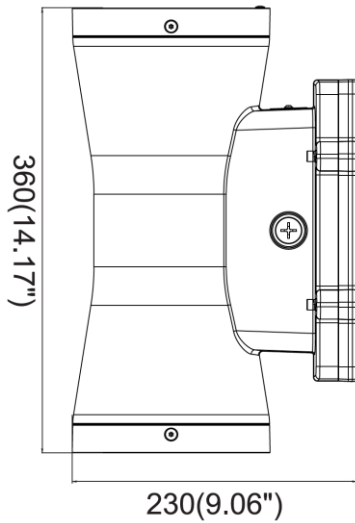
NOTES

- Emergency Battery Back up is ordered separately If needed
- Power Output 15W
- Exterior Junction Box is provided with the EM unit.

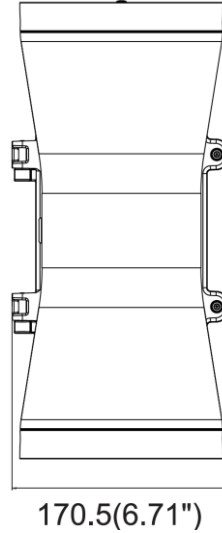
DIMENSIONS

AE-OD-CR-60-80-XX-3030-XX-XX

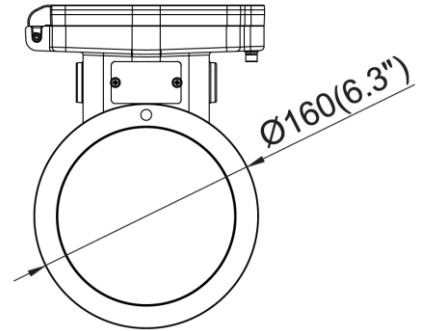
Side View



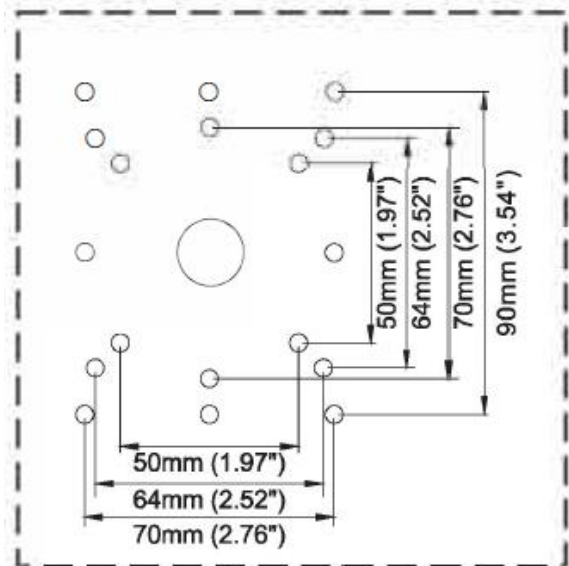
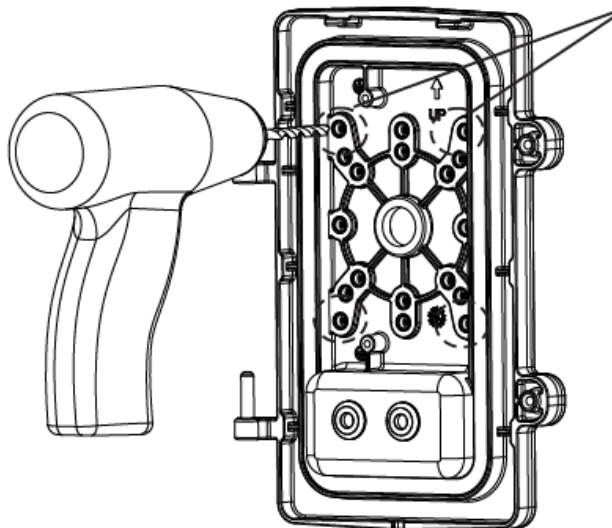
Front View



Top View



Back Plate Installation



CONTROLS

EMERGENCY LED DRIVER

BLD-HM15D-YYY



SPECIFICATION	
Input Voltage	100-347Vac
Power Frequency	50/60HZ
Output Voltage	170V DC
Ambient Temperature	0°C to 50°C
	30°F to 122°F
Output Power	15W
Installation	Remote with exterior junction Box

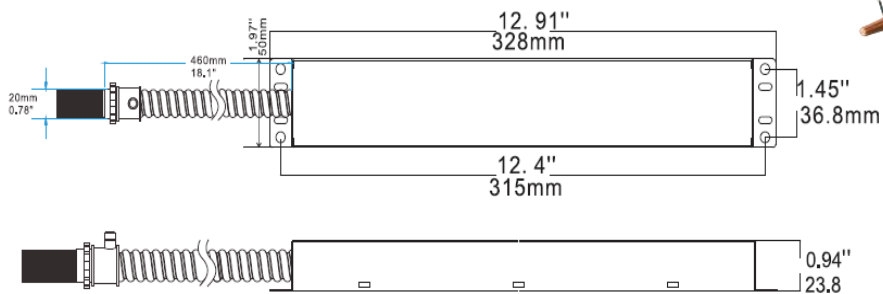
The BLD-HMXXD-YYY series LED Emergency Driver is UL listed for field and factory installations. It switches to emergency mode during power failures, providing up to 90 minutes of lighting. With an integrated battery, charger, and converter, it delivers 6-25W constant power at 170VDC. Ideal for 0-10V dimmable indoor commercial LED fixtures, such as flat panels, troffers, downlights, and linear strip lights.



NOTES

The exterior junction box is wall mounted close to the fixture

DIMENSIONS



PHOTOMETRIC DATA

PART NUMBER		ZONAL LUMEN SUMMARY			POLAR LUMINOUS INTENSITY
AE-OD-CR-060-40-BZ		Zone	Lumens	% Fixture	Direct/Indirect
Wattage	10W Direct / Indirect	0-20°	602.29	22.8	
CCT	4000K	0-30°	888.11	33.6	
Distribution	30°	0-40°	1063.05	40.2	
		0-60°	1250.47	47.3	
		0-80°	1319.21	49.9	
		0-90°	1321.12	50	

CONE DISTRIBUTION			ISO FOOTCANDLE PLOT	
Center Beam Fc	Beam Width	Distances are in units of mounting height 30ft		
2.5ft	1032 fc	0.7 ft	0.7 ft	
5.0ft	258 fc	1.3 ft	1.3 ft	
7.5ft	115 fc	2.0 ft	2.0 ft	
10.0ft	64.5 fc	2.7 ft	2.7 ft	
12.5ft	41.3 fc	3.4 ft	3.3 ft	
15.0ft	28.7 fc	4.0 ft	4.0 ft	
■ Vert. Spread: 15.3° ■ Horiz. Spread: 15.1°				

LUMEN ESTIMATE

Lumen output varies based on CCT and CRI. An estimate of lumen output of the various CCT/CRI combinations, use correction factors as per table below:

LUMEN ESTIMATE ADJUSTMENT FACTORS	
CCT	PREMIUM (80CRI)
3000K	1
3500K	1.02
4000K	1.03
5000K	1.03

PART NUMBER		ZONAL LUMEN SUMMARY			POLAR LUMINOUS INTENSITY
AE-OD-CR-060-40-BZ		Zone	Lumens	% Fixture	Direct/Indirect
Wattage	30W Direct / Indirect	0-20°	1626.36	22.8	
CCT	4000K	0-30°	2398.14	33.6	
Distribution	30°	0-40°	2870.52	40.2	
		0-60°	3376.61	47.3	
		0-80°	3562.23	49.9	
		0-90°	3567.4	50	

CONE DISTRIBUTION			ISO FOOTCANDLE PLOT	
Center Beam Fc	Beam Width	Distances are in units of mounting height 30ft		
2.5ft	3495 fc	0.7 ft	0.7 ft	
5.0ft	874 fc	1.3 ft	1.3 ft	
7.5ft	388 fc	2.0 ft	2.0 ft	
10.0ft	218 fc	2.7 ft	2.7 ft	
12.5ft	140 fc	3.4 ft	3.3 ft	
15.0ft	97.1 fc	4.0 ft	4.0 ft	
■ Vert. Spread: 15.3° ■ Horiz. Spread: 15.1°				

OVERVIEW



Innovative Design

- Die Casting Aluminum
- Polycarbonate Lens



Distribution

UP & DOWN 30°



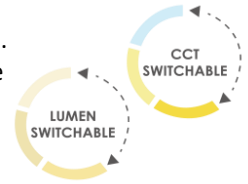
Mounting Available

- Wall mount



Multiple Options

- Four different power switchable from 18/30/45/60W.
- Black, Bronze finishes.
- Three CCTs selectable



Accessories

- Emergency Battery Back up with exterior junction box
- Photocell.



Emergency backup battery



Photocell



Protection



Surge Protector

- Protected against dust ingress.
- Protected against water jets
- Impact resistant
- 2KV surge protector



Tests And Certifications

