

# CLARA

DECORATIVE LIGHT

CASA SERIES | Vanity Light

eralux®

DATE	QTY	ACC. QTY	TYPE
PROJECT			
PN			
ACCESSORY PN			
NOTES			



## DYNAMIC MENU

Order Information	<a href="#">Page 2</a>
Dimensions	<a href="#">Page 2</a>
Photometric Data	<a href="#">Page 3</a>

[Install Instruction link](#)



## SPECIFICATIONS

Input Voltage	120V
Power Factor	>0.9
Total Harmonic Distortion	<20%
Dimming	TRIAC dimming
CRI	90 CRI
CCT	<div style="display: flex; gap: 10px;"> <div style="background-color: #fff9c4; border-radius: 50%; padding: 5px;">27K</div> <div style="background-color: #fff176; border-radius: 50%; padding: 5px;">30K</div> <div style="background-color: #e0e0e0; border-radius: 50%; padding: 5px;">35K</div> <div style="background-color: #bbdefb; border-radius: 50%; padding: 5px;">40K</div> <div style="background-color: #b3e5fc; border-radius: 50%; padding: 5px;">50K</div> </div>
Efficacy	~72 lm/w
Length	2'
Power	20W
Ambient Temperature Range	-20°C to 40°C
Mounting Options	Wall mount
Fixture Finish	Black   Brushed nickel 
Distribution	<p>Lambertian 130°</p>

## PRODUCT FEATURES



## PRODUCT CERTIFICATIONS



## SYSTEM WARRANTY – 3 YEARS

Eralux will warrant defective drivers, LEDs and boards for 3 years from the date of purchase. This warranty is valid only if the fixture is installed and used as per installation guides and specifications. If a defect is present, Eralux will send drivers and boards at no fee with a thorough replacement instructions along with instructions on the return of the defective parts back to Eralux.

## LUMEN MAINTENANCE – L75 at 50,000 hours

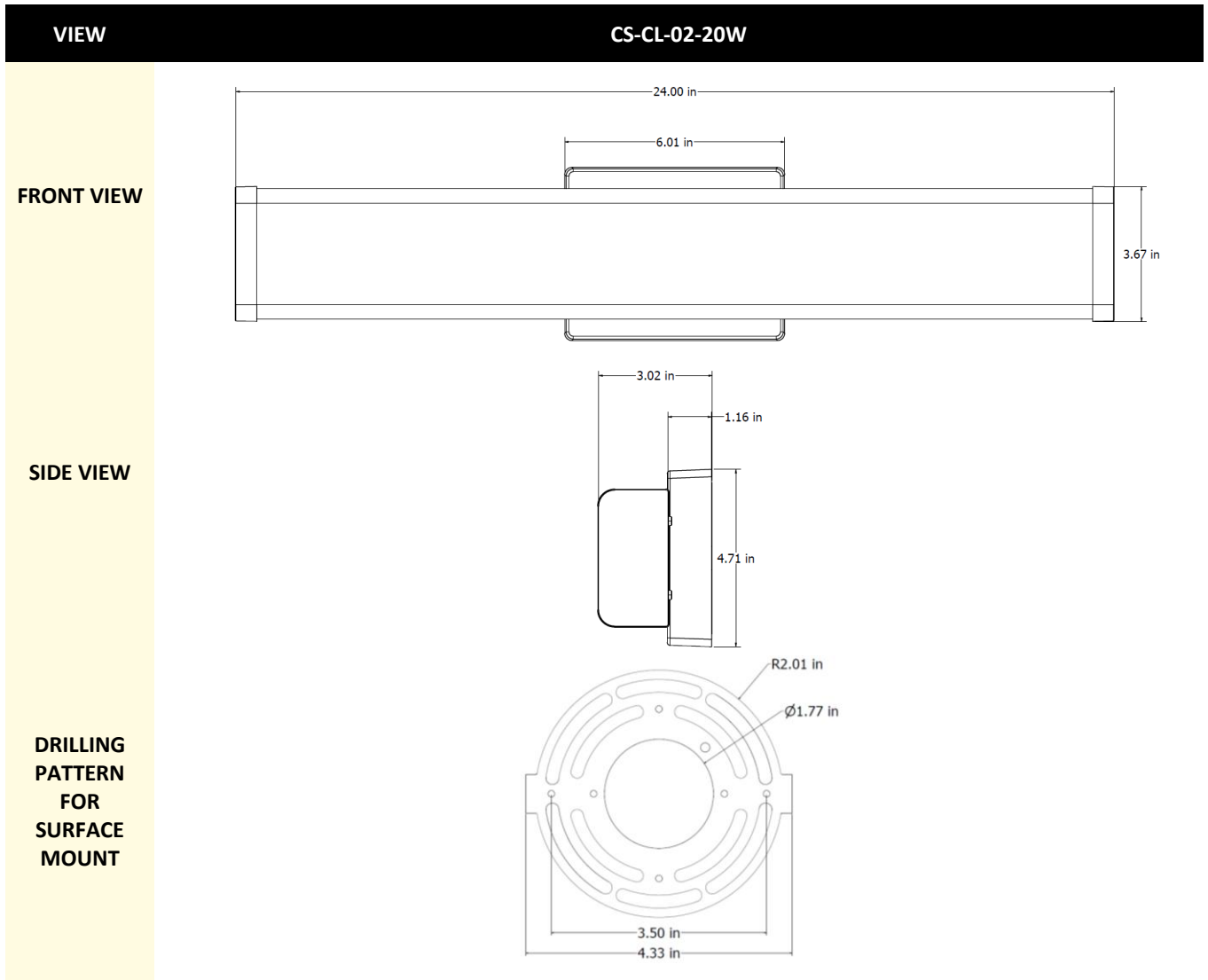
Rated for 75% initial lumen output at 50,000 hours of operation, operated at 25°C ambient temperature; per guidelines published by the Illuminating Engineering Society (IES).

## ORDERING GUIDE

<b>CS-CL</b>	<b>-02</b>	<b>-20W</b>	
<b>CS-CL</b> ERALUX CASA Series Clara Decorative Vanity Light	<b>-02</b> 2 Ft	<b>-20W</b> 20W   1600 lm  CCT Switchable 27/30/35/40/50K	<b>-SV</b> Silver Brushed Nickel <b>-BK</b> Matte Black

<b>Fixture Family</b>	<b>Length</b>	<b>Power</b>	<b>Finish</b>
-----------------------	---------------	--------------	---------------

## DIMENSIONS – FIXTURE AND MOUNTING



## LUMEN ESTIMATE

Lumen output varies based on CCT and CRI. An estimate of lumen output of the various CCT/CRI combinations, use correction factors as per table below:

### LUMEN ESTIMATE ADJUSTMENT FACTORS

CCT	3500K	4000K	5000K
<b>PREMIUM (90CRI)</b>	0.97	1	1.03

## PHOTOMETRIC DATA

PART NUMBER		ZONAL LUMEN SUMMARY			POLAR LUMINOUS INTENSITY	CONE DISTRIBUTION		
DC-CS-CL-02-22W-XX		Zone	Lumens	% Fixture	Direct Light	Center Beam Fc	Beam Width	
<b>Wattage</b>	22W	0-20°	132.10	7.2		57 fc	5.0 ft	7.3 ft
<b>CCT</b>	5000K	0-30°	285.38	15.5		14.3 fc	10.0 ft	14.7 ft
<b>Distribution</b>	150°	0-40°	479.27	26.1		6.34 fc	15.0 ft	22.0 ft
<b>Length</b>	2ft	0-60°	916.39	49.8		3.56 fc	20.0 ft	29.3 ft
		0-80°	1304.58	71.1		2.28 fc	25.0 ft	36.7 ft
		0-90°	1455.33	79.2		1.58 fc	30.0 ft	44.0 ft

## DIMMER COMPATIBILITY LIST

Brand	Model
Lutron	MACL-153MR-WH
	DVWCL-153PH-WH
	CTCL-153PDH-LA
	TGCL-153P-WH
	SELV-300P-LA
	DVELV-300P-BR
	SLV-600P-LA
	AYCL-153P-WH
	P-PKG1WB-WH
	PD-6WCL
	DVCL-153P-WH
	MACL-153M
	MSCL-OP153M
Leviton	6672-1LW
	6674-POW
	D26HD-2RW
Kasa Smart	6672
	HS220

## OVERVIEW



### Innovative Design

- Rectangular shape tube.
- Highly durable polycarbonate and high transmittance lens.



### Multiple Options

- Five CCT switchable
- Matte black & brushed nickel finishes.



### Tests And Certifications



### Mounting Available

- Wall mount

