

EXITA SERIES

EXIT/EMERGENCY LED LIGHTING

Remote Units

The EXITA LED remote heads are built to handle tough emergency situations. Capable of performing in damp conditions. Equipped with high impact thermoplastic and iron, and ultra bright LED heads up to 150W. The EXITA remote units are a great choice for functionality and flexibility in emergency situations.

Application: Stairwells | Hallways | Offices | Commercial Spaces

	DATE	QTY	ACC. QTY	TYPE
PROJECT				
PN				
NOTES				

EXITA SERIES – REMOTE UNITS

Part #	Z1101U	Z1102U
Picture		
Part #	CR-7061-150W	Z2172U-N
Picture		
Part #	CR-7090	
Picture		

SPECIFICATIONS

Input Voltage	3.6-24V
Power Factor	>0.9
Total Harmonic Distortion	<20%
Power	2 W
Combo Head	Fully adjustable
Housing	Injection-molded thermoplastic ABS and iron
Finish	White
Ambient Temperature Range	0 °C to 40°C
Mounting Options	Wall Ceiling
Max Mounting Height	10.8ft
Application	Damp location
Protections	Flame retardant Fire resistant
Compliant	UL-924



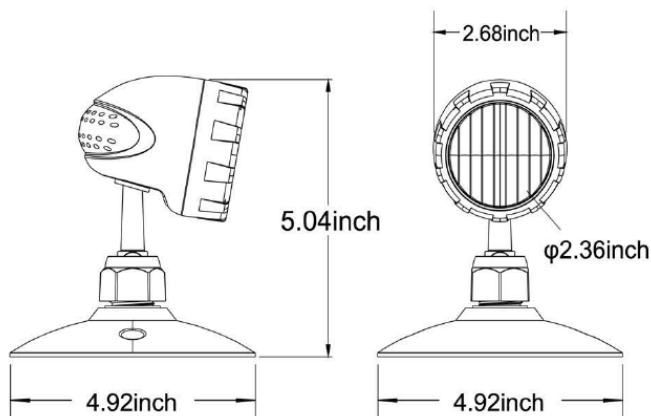
PRODUCT CERTIFICATIONS



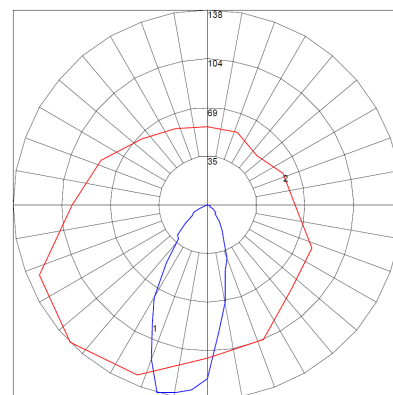
SYSTEM WARRANTY – 5 YEARS

Eralux will warrant defective drivers, LEDs and boards for 5 years from the date of purchase. This warranty is valid only if the fixture is installed and used as per installation guides and specifications. If a defect is present, Eralux will send drivers and boards at no fee with a thorough replacement instructions along with instructions on the return of the defective parts back to Eralux.

DIMENSIONS



PHOTOMETRIC DATA



SPECIFICATIONS

Input Voltage	3.6-24V
Power Factor	>0.9
Total Harmonic Distortion	<20%
Power	2 W per head (4W total)
Combo Head	Fully adjustable
Housing	Injection-molded thermoplastic ABS and iron
Finish	White
Ambient Temperature Range	0 °C to 40°C
Mounting Options	Wall Ceiling
Max Mounting Height	13.8ft
Application	Damp location
Protections	Flame retardant Fire resistant
Compliant	UL-924



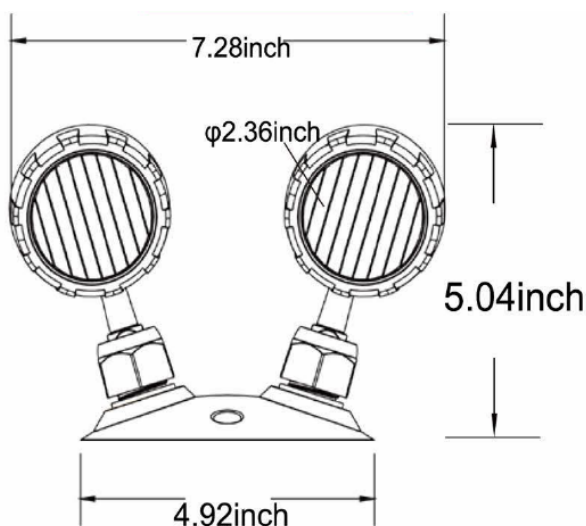
PRODUCT CERTIFICATIONS



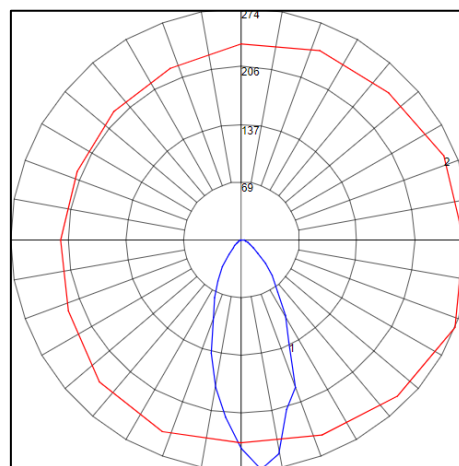
SYSTEM WARRANTY – 5 YEARS

Eralux will warrant defective drivers, LEDs and boards for 5 years from the date of purchase. This warranty is valid only if the fixture is installed and used as per installation guides and specifications. If a defect is present, Eralux will send drivers and boards at no fee with a thorough replacement instructions along with instructions on the return of the defective parts back to Eralux.

DIMENSIONS



PHOTOMETRIC DATA



SPECIFICATIONS

Input Voltage	120-277/347V
Power Factor	>0.9
Total Harmonic Distortion	<20%
Power	150W total power
	6W combo head (12W total)
	138W remote capability
Combo Head	Fully adjustable
Housing	18 Gauge steel housing
Finish	White
Ambient Temperature Range	0 °C to 40°C
Mounting Options	Wall Ceiling
Charging Time	24 hour
Battery	12V-14AH Sealed Lead-acid
Application	Damp location
Remote Capability	150W at 30min battery backup time 50W at 90min battery backup time 36W at 120min battery backup time
Protections	Flame retardant Fire resistant
Compliant	UL-924 list for damp location NFPA 101 Life Safety Code NEC OSHA CSA C22.2 No. 141-15 performance certified



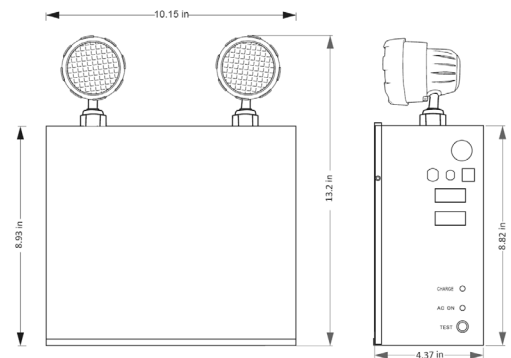
PRODUCT CERTIFICATIONS



SYSTEM WARRANTY – 2 YEARS

Eralux will warrant defective drivers, LEDs and boards for 2 years from the date of purchase. This warranty is valid only if the fixture is installed and used as per installation guides and specifications. If a defect is present, Eralux will send drivers and boards at no fee with a thorough replacement instructions along with instructions on the return of the defective parts back to Eralux.

DIMENSIONS



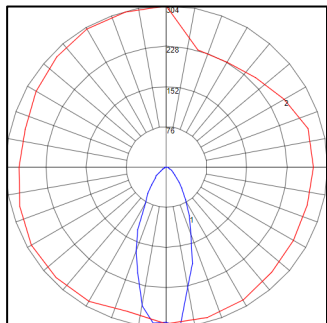
PHOTOMETRIC DATA

PART NUMBER		ZONAL LUMEN SUMMARY			POLAR LUMINOUS INTENSITY
CR-7061		Zone	Lumens	% Fixture	Direct Light
Wattage	12W	0-20°	96.57	10.2	
CCT	5000K	0-30°	247.08	26.1	
Distribution	40°Hx110°V	0-40°	452.05	47.7	
Combo Heads		0-60°	778.62	82.1	
		0-80°	906.88	95.7	
		0-90°	932.55	98.4	

SPECIFICATIONS

Input Voltage	120-277/347 V
Power Factor	>0.9
Total Harmonic Distortion	<20%
Power	76W total power
	2W combo head (4W total)
	72W remote capability
Combo Head	Fully adjustable
Housing	Steel frame
Finish	White
Ambient Temperature Range	10 °C to 40°C
Mounting Options	Wall mount
Charging Time	24 hours
Discharging Time	120 min
Battery	12V-7AH Sealed Lead-acid
Application	Damp location
Remote Capability	72W at 30min battery backup time 27W at 90min battery backup time 22W at 120min battery backup time
Protections	Flame retardant Fire resistant
Compliant	UL-924

PHOTOMETRIC DATA



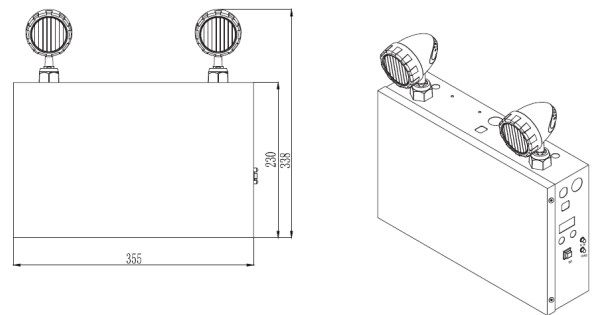
PRODUCT CERTIFICATIONS



SYSTEM WARRANTY – 5 YEARS

Eralux will warrant defective drivers, LEDs and boards for 5 years from the date of purchase. This warranty is valid only if the fixture is installed and used as per installation guides and specifications. If a defect is present, Eralux will send drivers and boards at no fee with a thorough replacement instructions along with instructions on the return of the defective parts back to Eralux.

DIMENSIONS



SPECIFICATIONS

Input Voltage	120/277 V
Power Factor	>0.9
Total Harmonic Distortion	<20%
Power	2x 2.4 W
Combo Head	Fully adjustable and rotatable
Housing	Injection-molded thermoplastic ABS
Finish	White
Ambient Temperature Range	0 °C to 40°C
Mounting Options	Wall mount Ceiling mount
Charging Time	24 hours
Discharging Time	90 minutes
Battery	3.6V NiCad
Application	Damp location
Protections	UL-94-V0 flame retardant Fire resistant
Compliant	UL-924 NFPA 101 Life Safety Code NEC OSHA CEC Title 20 Compliant



PRODUCT CERTIFICATIONS



SYSTEM WARRANTY – 2 YEARS

Eralux will warrant defective drivers, LEDs and boards for 2 years from the date of purchase. This warranty is valid only if the fixture is installed and used as per installation guides and specifications. If a defect is present, Eralux will send drivers and boards at no fee with a thorough replacement instructions along with instructions on the return of the defective parts back to Eralux.

DIMENSIONS

