

DISCO ECO

LED COMMERCIAL DOWNLIGHT

Surface Mount Downlight | 5", 7", 9", 12", 15" Round

The DISCO ECO Series is the ideal solution for residences with a light source that provides a seamless transitions to various spaces. It comes in Five different wattage and size options as in the 9W|5in 14W|7in 17W|9in 21W|12in and 25W|15in. This fixture also offers various CCT options of 2700K, 3000K, 3500K, 4000K and 5000K CCT that can be set in the field.

Applications: Office | Retail stores | Hotels | Restaurants | Home interior | Library Etc.

eralux®

	DATE	QTY	ACC. QTY	TYPE
PROJECT				
PN				
ACCESSORY PN				
NOTES				



DYNAMIC MENU

Order Information	Page 2
Dimensions	Page 2
Photometric Data	Page 4

[Install Instruction link](#)

SPECIFICATIONS

Input Voltage	120V					
Power Factor	>0.7					
Total Harmonic Distortion	<20%					
Dimming Page 3	TRIAC					
CRI	80 CRI					
CCT	<div style="display: flex; gap: 10px;"> <div style="border: 1px solid #ccc; border-radius: 50%; width: 20px; height: 20px; background-color: #fff9c4; display: flex; align-items: center; justify-content: center;">27K</div> <div style="border: 1px solid #ccc; border-radius: 50%; width: 20px; height: 20px; background-color: #fff176; display: flex; align-items: center; justify-content: center;">30K</div> <div style="border: 1px solid #ccc; border-radius: 50%; width: 20px; height: 20px; background-color: #fff9c4; display: flex; align-items: center; justify-content: center;">35K</div> <div style="border: 1px solid #ccc; border-radius: 50%; width: 20px; height: 20px; background-color: #bbdefb; display: flex; align-items: center; justify-content: center;">40K</div> <div style="border: 1px solid #ccc; border-radius: 50%; width: 20px; height: 20px; background-color: #bbdefb; display: flex; align-items: center; justify-content: center;">50K</div> </div>					
Efficacy	~80-85 LPW					
Size (inches)	<table border="1" style="display: inline-table; text-align: center;"> <tr> <td>5"</td> <td>7"</td> <td>9"</td> <td>12"</td> <td>15"</td> </tr> </table>	5"	7"	9"	12"	15"
5"	7"	9"	12"	15"		
Power (W)	<table border="1" style="display: inline-table; text-align: center;"> <tr> <td>9</td> <td>14</td> <td>17</td> <td>21</td> <td>25</td> </tr> </table>	9	14	17	21	25
9	14	17	21	25		
Ambient Temperature Range	-20°C to 45°C					
Finish	White					
Mounting	Surface mount to Junction box					

Distribution



PRODUCT FEATURES



PRODUCT CERTIFICATIONS



SYSTEM WARRANTY – 5 YEARS

Eralux will warrant defective drivers, LEDs and boards for 5 years from the date of purchase. This warranty is valid only if the fixture is installed and used as per installation guides and specifications. If a defect is present, Eralux will send drivers and boards at no fee with a thorough replacement instructions along with instructions on the return of the defective parts back to Eralux.

LUMEN MAINTENANCE – L85 at 50,000 hours

Rated for 85% initial lumen output at 50,000 hours of operation, operated at 25°C ambient temperature; per guidelines published by the Illuminating Engineering Society (IES).

LED COMMERCIAL DOWNLIGHT

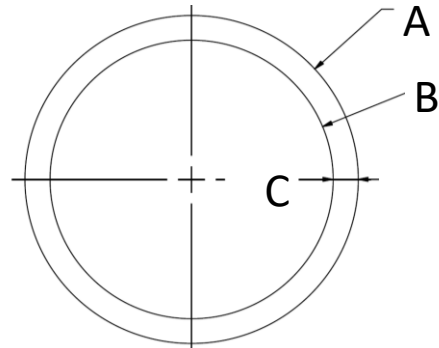
Surface Mount Downlight | 5", 7", 9", 12", 15" Round



ORDERING GUIDE

AE-DL-DSE		-12	-2750	
AE-DL-DSE ERALUX Disco Eco Surface Mount Downlight	5 -9W 5" 9W 700 Lm 7 -14W 7" 14W 1200 Lm 9 -17W 9" 17W 1400 Lm 12 -21W 12" 21W 1800 Lm 15 -25W 15" 25W 2000 Lm	12 120V	-2750 2700/3000/3500/4000/5000K CCT Switchable	[BLANK] White -BK Black
Fixture Family	Size Power	Voltage	CCT	Finish

DIMENSIONS

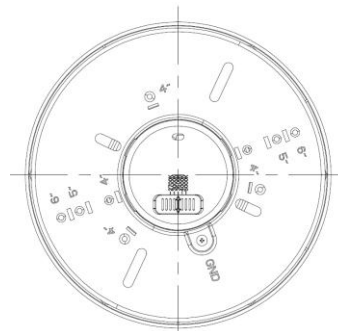


Dimensions					
	AE-DL-DSE5-9W	AE-DL-DSE7-14W	AE-DL-DSE9-17W	AE-DL-DSE12-21W	AE-DL-DSE15-25W
A	Ø 6.14 in	Ø 7.08 in	Ø 8.85 in	Ø 11.6 in	Ø 14.5 in
B	Ø 4.76 in	Ø 5.66 in	Ø 7.44 in	Ø 10 in	Ø 12.7 in
C	0.68 in	0.71 in	0.7 in	0.78 in	0.81 in
D	0.78 in	0.78 in	0.78 in	0.87 in	0.87 in

Round Surface Mount Plate, for rigid installation.

Compatible with all sizes.

Screw locations available at 4", 5" & 6" from center.

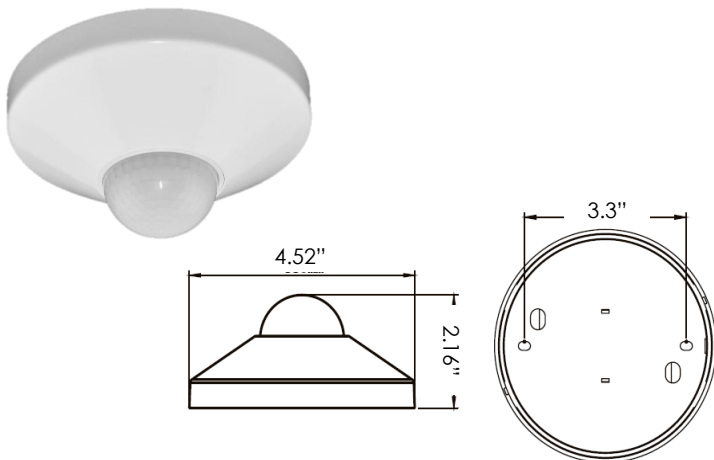


LED COMMERCIAL DOWNLIGHT

Surface Mount Downlight | 5", 7", 9", 12", 15" Round

ROOM OCCUPANCY SENSOR

PART NUMBER	DESCRIPTION
AE-CT-DT806	Line Voltage Motion Sensor
RC102	RC102 Remote Control



SPECIFICATIONS	
Input Voltage	120-277 Vac
Power Frequency	50/60HZ
Rated Load	At 120 Vac 800W
	At 277 Vac 1200W
Detection Range	3-10 Meters
	9.8-32.8 Feet
Standby Power	~0.9W
Time Setting	10 sec to 30 min
Light Control	10-2,000LUX
Installation	Ceiling Mounted

DIMMER COMPATIBILITY LIST

TRIAC Dimming

Brand	Model	Brand	Model
LUTRON	S-600PR-WH	LEVITON	6631-1LW
	CTCL-153PR-WH		6674-POT
	DVWCL-153PH-WH		6672-1LW
	DVCL-153PR-BL		6683-1W
	TG600PR-LA		
	TGCL-153PH-WH		
	CT600P-WH		

LED COMMERCIAL DOWNLIGHT

Surface Mount Downlight | 5", 7", 9", 12", 15" Round

LUMEN ESTIMATE

Lumen output varies based on CCT and CRI. An estimate of lumen output of the various CCT/CRI combinations, use correction factors as per table below:

LUMEN ESTIMATE ADJUSTMENT FACTORS

CCT	2700K	3000K	3500K	4000K	5000K
PREMIUM (90CRI)	0.96	1	1.03	1.06	1.09

PHOTOMETRIC DATA

PART NUMBER		ZONAL LUMEN SUMMARY			POLAR LUMINOUS INTENSITY	CONE DISTRIBUTION			
AE-DL-DSE5-9W-12-2750		Zone	Lumens	% Fixture		Center Beam Fc		Beam Width	
Wattage	9W	0-20°	102.62	13.5		1.7ft	97.7 fc	4.6 ft	4.6 ft
CCT	2700K	0-30°	216.43	28.4		3.3ft	25.9 fc	9.0 ft	8.9 ft
Distribution	120°	0-40°	351.35	46.1		5.0ft	11.3 fc	13.6 ft	13.5 ft
Size	5"	0-60°	609.24	79.9		6.7ft	6.29 fc	18.3 ft	18.1 ft
		0-80°	745.47	97.8		8.3ft	4.1 fc	22.6 ft	22.4 ft
		0-90°	754.76	99	10.0ft	2.82 fc	27.3 ft	27.0 ft	
					■ Vert. Spread: 107.5° ■ Horiz. Spread: 107.0°				

PART NUMBER		ZONAL LUMEN SUMMARY			POLAR LUMINOUS INTENSITY	CONE DISTRIBUTION			
AE-DL-DSE7-14W-12-2750		Zone	Lumens	% Fixture		Center Beam Fc		Beam Width	
Wattage	14W	0-20°	165.13	13.3		1.7ft	157 fc	4.7 ft	4.5 ft
CCT	2700K	0-30°	349.44	28.1		3.3ft	41.6 fc	9.1 ft	8.8 ft
Distribution	120°	0-40°	568.89	45.7		5.0ft	18.1 fc	13.8 ft	13.4 ft
Size	7"	0-60°	988.31	79.4		6.7ft	10.1 fc	18.5 ft	17.9 ft
		0-80°	1214.61	97.5		8.3ft	6.58 fc	22.9 ft	22.2 ft
		0-90°	1232.68	99	10.0ft	4.53 fc	27.6 ft	26.7 ft	
					■ Vert. Spread: 108.1° ■ Horiz. Spread: 106.4°				

PART NUMBER		ZONAL LUMEN SUMMARY			POLAR LUMINOUS INTENSITY	CONE DISTRIBUTION			
AE-DL-DSE9-17W-12-2750		Zone	Lumens	% Fixture		Center Beam Fc		Beam Width	
Wattage	17W	0-20°	209.8	13.3		1.7ft	199 fc	4.7 ft	4.7 ft
CCT	2700K	0-30°	443	8		3.3ft	52.9 fc	9.0 ft	9.1 ft
Distribution	120°	0-40°	720.03	45.5		5.0ft	23 fc	13.7 ft	13.7 ft
Size	7"	0-60°	1251.62	79.1		6.7ft	12.8 fc	18.4 ft	18.4 ft
		0-80°	1542.59	97.5		8.3ft	8.36 fc	22.7 ft	22.8 ft
		0-90°	1566.04	99	10.0ft	5.76 fc	27.4 ft	27.5 ft	
					■ Vert. Spread: 107.8° ■ Horiz. Spread: 107.9°				

LED COMMERCIAL DOWNLIGHT

Surface Mount Downlight | 5", 7", 9", 12", 15" Round

PHOTOMETRIC DATA

PART NUMBER		ZONAL LUMEN SUMMARY			POLAR LUMINOUS INTENSITY	CONE DISTRIBUTION			
AE-DL-DSE12-21W-12-2750		Zone	Lumens	% Fixture	Direct Light	Center Beam Fc	Beam Width		
Wattage	21W	0-20°	245.39	13.40		1.7ft	233 fc	4.6 ft	4.6 ft
CCT	2700K	0-30°	518.84	28.30		3.3ft	61.8 fc	9.0 ft	8.9 ft
Distribution	120°	0-40°	843.37	46.00		5.0ft	26.9 fc	13.6 ft	13.6 ft
Size	12"	0-60°	1458.71	79.50		6.7ft	15 fc	18.2 ft	18.2 ft
		0-80°	1795.66	97.90		8.3ft	9.77 fc	22.5 ft	22.5 ft
		0-90°	1833.34	100.00	10.0ft	6.73 fc	27.1 ft	27.1 ft	
						<div style="display: flex; justify-content: space-around;"> ■ Vert. Spread: 107.2° ■ Horiz. Spread: 107.2° </div>			

PART NUMBER		ZONAL LUMEN SUMMARY			POLAR LUMINOUS INTENSITY	CONE DISTRIBUTION			
AE-DL-DSE15-25W-12-2750		Zone	Lumens	% Fixture	Direct Light	Center Beam Fc	Beam Width		
Wattage	25W	0-20°	308.37	13.9		1.7ft	257 fc	4.6 ft	4.6 ft
CCT	2700K	0-30°	646.56	29.1		3.3ft	68.2 fc	8.9 ft	8.9 ft
Distribution	120°	0-40°	1041.11	46.8		5.0ft	29.7 fc	13.6 ft	13.5 ft
Size	15"	0-60°	1772.38	79.7		6.7ft	16.5 fc	18.2 ft	18.1 ft
		0-80°	2164.68	97.3		8.3ft	10.8 fc	22.5 ft	22.4 ft
		0-90°	2202.5	99	10.0ft	7.43 fc	27.1 ft	27.0 ft	
						<div style="display: flex; justify-content: space-around;"> ■ Vert. Spread: 107.1° ■ Horiz. Spread: 107.0° </div>			

OVERVIEW



Innovative Design

- Housing made from aluminum for increased rigidity and strength.
- Strong, high-performing design with a sleek, refined finish.



Multiple Options

- 5 distinct sizes each offering a different power output.
- 5 CCT switchable from 2700K to 5000K.
- TRIAC Dimming.



SIZE	LUMENS
5"	700 Lm
7"	1200 Lm
9"	1400 Lm
12"	1800 Lm
15"	2000 Lm



Mountings Available

Surface Mount to a junction box, using a round mounting plate for rigid installation.



Tests And Certifications

