

# DISCO SQUARE



## LED COMMERCIAL DOWNLIGHT

### Surface Mount Downlight | Square

The DISCO SQUARE series offers an ideal lighting solution for seamless transitions within the home. Available in multiple sizes and wattages, this elegant fixture provides versatile color temperatures ranging from warm 2700K to bright 5000K, perfect for setting the desired mood for any occasion. Elevate living spaces with the DISCO series, delivering beautiful and adaptable lighting that transforms the ambiance of any environment.

Applications: Offices | Residential | Washrooms | Shopping Center

	DATE	QTY	ACC. QTY	TYPE
PROJECT				
PN				
ACCESSORY PN				
NOTES				



### DYNAMIC MENU

Order Information	<a href="#">Page 2</a>
Dimensions	<a href="#">Page 2</a>
Photometric Data	<a href="#">Page 4</a>

[Install Instruction link](#)



### SPECIFICATIONS

Input Voltage	120V						
Power Factor	>0.9						
Total Harmonic Distortion	<20%						
Dimming <a href="#">Page 3</a>	Triac						
CRI	90 CRI						
CCT	<div style="display: flex; gap: 10px;"> <div style="border: 1px solid #ccc; border-radius: 50%; width: 20px; height: 20px; background-color: #fff9c4; display: flex; align-items: center; justify-content: center;">27K</div> <div style="border: 1px solid #ccc; border-radius: 50%; width: 20px; height: 20px; background-color: #fff176; display: flex; align-items: center; justify-content: center;">30K</div> <div style="border: 1px solid #ccc; border-radius: 50%; width: 20px; height: 20px; background-color: #c8e6c9; display: flex; align-items: center; justify-content: center;">35K</div> <div style="border: 1px solid #ccc; border-radius: 50%; width: 20px; height: 20px; background-color: #bbdefb; display: flex; align-items: center; justify-content: center;">40K</div> <div style="border: 1px solid #ccc; border-radius: 50%; width: 20px; height: 20px; background-color: #b39ddb; display: flex; align-items: center; justify-content: center;">50K</div> </div>						
Efficacy	~82 LPW						
Size and Power	<table border="1" style="width: 100%; text-align: center;"> <tr> <td>7"</td> <td>9"</td> <td>11"</td> </tr> <tr> <td>12W</td> <td>18W</td> <td>22W</td> </tr> </table>	7"	9"	11"	12W	18W	22W
	7"	9"	11"				
12W	18W	22W					
Ambient Temperature Range	-20°C to 45°C						
Finish	White 						
Mounting	Surface mount to Junction						
Distribution	120°						

### PRODUCT FEATURES



### PRODUCT CERTIFICATIONS



### SYSTEM WARRANTY – 5 YEARS

Eralux will warrant defective drivers, LEDs and boards for 5 years from the date of purchase. This warranty is valid only if the fixture is installed and used as per installation guides and specifications. If a defect is present, Eralux will send drivers and boards at no fee with a thorough replacement instructions along with instructions on the return of the defective parts back to Eralux.

### LUMEN MAINTENANCE – L85 at 50,000 hours

Rated for 85% initial lumen output at 50,000 hours of operation, operated at 25°C ambient temperature; per guidelines published by the Illuminating Engineering Society (IES).

### ORDERING GUIDE

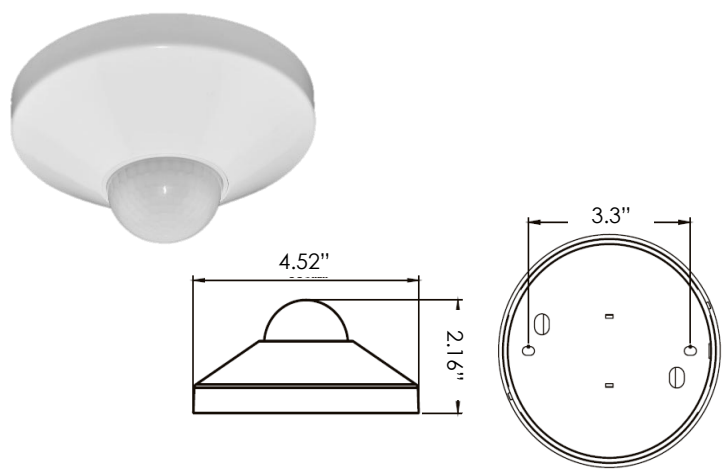
<b>DL-DS</b>		<b>-2750</b>
<b>DL-DS</b> ERALUX Disco Square Surface Mount Downlight	<b>-07S   12</b> 7"   12W   990 Lm  <b>-09S   18</b> 9"   18W   1500 Lm  <b>-11S   22</b> 11"   22W   1800 Lm	<b>-2750</b> Premium 90 CRI  2700/3000/3500/4000/5000K CCT Switchable
<b>Fixture Family</b>	<b>Size   Power</b>	<b>CRI   CCT</b>

DIMENSIONS			
DL-DS-07S-12-2750	DL-DS-09S-18-2750	DL-DS-11S-22-2750	Thickness

### ROOM OCCUPANCY SENSOR

PART NUMBER	DESCRIPTION
AE-CT-DT806	Line Voltage Motion Sensor
RC102	RC102 Remote Control

SPECIFICATIONS	
<b>Input Voltage</b>	120-277 Vac
<b>Power Frequency</b>	50/60HZ
<b>Rated Load</b>	At 120 Vac      800W
	At 277 Vac      1200W
<b>Detection Range</b>	3-10 Meters
	9.8-32.8 Feet
<b>Standby Power</b>	~0.9W
<b>Time Setting</b>	10 sec to 30 min
<b>Light Control</b>	10-2,000LUX
<b>Installation</b>	Ceiling Mounted



## LED COMMERCIAL DOWNLIGHT

Surface Mount Downlight | Round and Square

### LUMEN ESTIMATE

Lumen output varies based on CCT and CRI. An estimate of lumen output of the various CCT/CRI combinations, use correction factors as per table below:

#### LUMEN ESTIMATE ADJUSTMENT FACTORS

CCT	2700K	3000K	3500K	4000K	5000K
PREMIUM (90CRI)	0.96	1	1.03	1.06	1.09

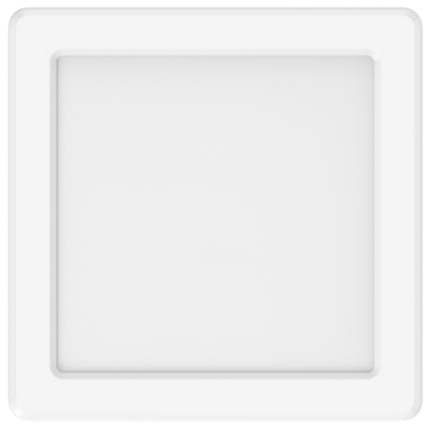
### PHOTOMETRIC DATA

PART NUMBER		ZONAL LUMEN SUMMARY		POLAR LUMINOUS INTENSITY	CONE DISTRIBUTION				
DL-DS-07S12-2750		Zone	Lumens	% Fixture	Direct Light	Center Beam Fc	Beam Width		
Wattage	12W	0-20°	120.37	12.5		2.5ft	53.3 fc	7.6 ft	7.5 ft
CCT	2700K	0-30°	256.90	26.7		5.0ft	13.3 fc	15.3 ft	15.1 ft
Distribution	120°	0-40°	421.78	43.9		7.5ft	5.92 fc	22.9 ft	22.6 ft
Size	7"	0-60°	748.65	77.9		10.0ft	3.33 fc	30.5 ft	30.1 ft
		0-80°	938.20	97.6		12.5ft	2.13 fc	38.2 ft	37.6 ft
		0-90°	961.02	100.0		15.0ft	1.48 fc	45.8 ft	45.2 ft
					■ Vert. Spread: 113.5° ■ Horiz. Spread: 112.8°				

PART NUMBER		ZONAL LUMEN SUMMARY		POLAR LUMINOUS INTENSITY	CONE DISTRIBUTION				
DL-DS-09S18-2750		Zone	Lumens	% Fixture	Direct Light	Center Beam Fc	Beam Width		
Wattage	18W	0-20°	194.63	12.6		2.5ft	86.5 fc	7.3 ft	7.7 ft
CCT	2700K	0-30°	414.79	26.9		5.0ft	21.6 fc	14.6 ft	15.4 ft
Distribution	120°	0-40°	680.22	44.2		7.5ft	9.61 fc	21.9 ft	23.1 ft
Size	9"	0-60°	1204.59	78.2		10.0ft	5.4 fc	29.2 ft	30.9 ft
		0-80°	1504.46	97.7		12.5ft	3.46 fc	36.5 ft	38.6 ft
		0-90°	1540.25	100.0		15.0ft	2.4 fc	43.8 ft	46.3 ft
					■ Vert. Spread: 111.2° ■ Horiz. Spread: 114.1°				

PART NUMBER		ZONAL LUMEN SUMMARY		POLAR LUMINOUS INTENSITY	CONE DISTRIBUTION				
DL-DS-11S22-2750		Zone	Lumens	% Fixture	Direct Light	Center Beam Fc	Beam Width		
Wattage	22W	0-20°	232.52	12.6		2.5ft	103 fc	7.2 ft	7.8 ft
CCT	2700K	0-30°	496.00	26.9		5.0ft	25.9 fc	14.4 ft	15.6 ft
Distribution	120°	0-40°	813.87	44.1		7.5ft	11.5 fc	21.5 ft	23.4 ft
Size	11"	0-60°	1440.20	78.0		10.0ft	6.46 fc	28.7 ft	31.2 ft
		0-80°	1801.25	97.6		12.5ft	4.14 fc	35.9 ft	39.0 ft
		0-90°	1845.41	100.0		15.0ft	2.87 fc	43.1 ft	46.9 ft
					■ Vert. Spread: 110.3° ■ Horiz. Spread: 114.7°				

### OVERVIEW



### Multiple Options



- Different sizes each offering a different power output.
- 5 CCT switchable from 2700K to 5000K.

SQUARE	
SIZE	LUMENS
7"	990 Lm
9"	1500 Lm
12"	1800 Lm



### Innovative Design

- Housing made from galvanized iron sheet and plastic.
- Strong, high-performing design with a sleek, refined finish.



### Mountings Available

Surface Mount to a junction box.



### Tests And Certifications

