

DISCO

LED COMMERCIAL DOWNLIGHT

Surface Mounted Downlight



eralux®



The DISCO Series is the ideal solution for residences with a light source that provides a seamless transitions to various spaces. It comes in two different wattage and size options as in the 21W for 12 inch and 25W for 15 inch. This fixture also offers various CCT options of 2700K, 3000K, 3500K, 4000K and 5000K CCT that can be set in the field.

DATE				
PROJECT NAME				
TYPE				
QTY				
ORDERING CODE	AE-DL-DS		UVPXX	

OPERATING & ELECTRICAL

INPUT VOLTAGE	120-277V
POWER FACTOR	0.9
DIMMING	0-10V (Dim down to 10%)
TOTAL HARMONIC DISTORTION(THD)	<20%

PERFORMANCE

LEMENS PER WATT	80~85 LPW at 90 CRI
POWER CONSUMPTION	9W,14W,17W,21W, 25W
DISTRIBUTION	120° Beam Angle

MECHANICAL & HOUSING

HOUSING	Aluminum
LENS	Highly durable polycarbonate and high transmittance lens
FINISH	White
POWER SUPPLY	Factory wired electronic LED driver
LED BOARD	Light emitted source

APPLICATION CONDITION

AMBIENT TEMPERATURE RANGE	-20 °C to 45°C
ENVIRONMENTAL RATING	Wet rated

COMPATIBLE MOUNTING

MOUNTING Surface Mount to Junction box

WARRANTY

SYSTEM WARRANTY – 5 YEARS

Eralux will warrant defective drivers, LEDs and boards for 5 years from the date of purchase. This warranty is valid only if the fixture is installed and used as per installation guides and specifications. If a defect is present, Eralux will send drivers and boards at no fee with a thorough replacement instructions along with instructions on the return of the defective parts back to Eralux.

LUMEN MAINTENANCE – L85 at 50,000 hours

Rated for 85% initial lumen output at 50,000 hours of operation, operated at 25°C ambient temperature; per guidelines published by the Illuminating Engineering Society (IES)

DATE			
PROJECT NAME			
TYPE			
QTY			
ORDERING CODE	AE-DL-DS		UVPXX

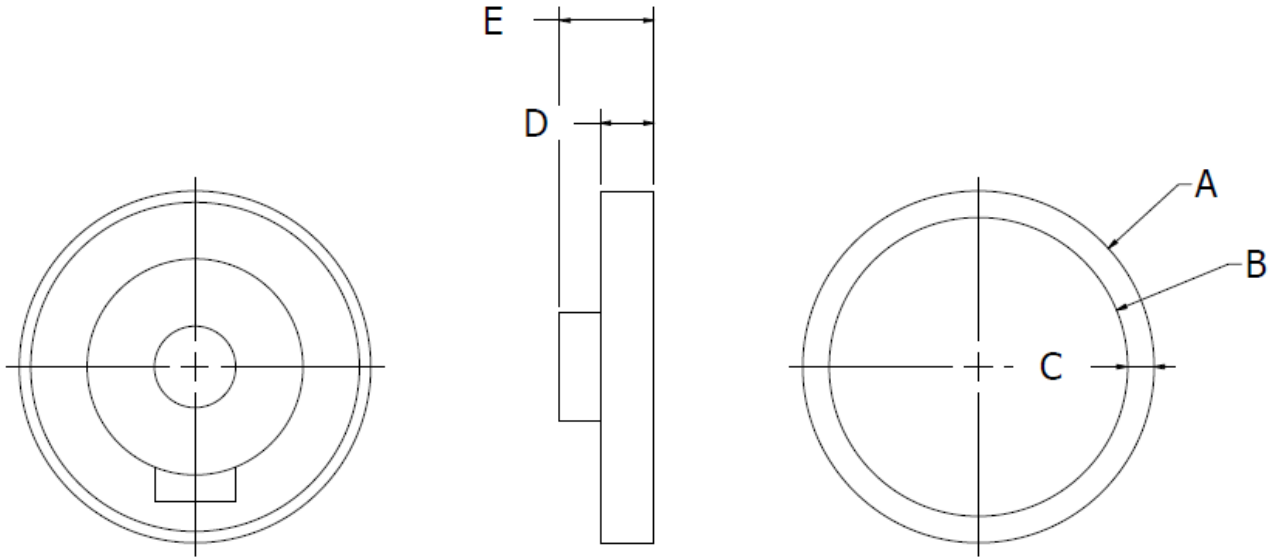
ORDERING GUIDE

EXAMPLE: AE-DL-DS12-21WUVPXX

FIXTURE FAMILY	SHAPE & SIZE	INPUT VOLTAGE	CRI	FINISH
AE-DL-DS		UV	PXX	
AE-DL-DS ERALUX Disco Series downlight	5-9W 5 inch 9 Watts 700 lumens	UV 120-277V	P Premium 90 CRI 2700/3000/3500/4000/5000K	-[LEAVE BLANK] WHITE FINISH
	7-14W 7 inch 14 Watts 1,200 lumens			
	9-17W 9 inch 17 Watts 1,400 lumens			
	12-21W 12 inch 21 Watts 1,800 lumens			
	15-25W 15 inch 25 Watts 2000 lumens			
				-BK BLACK FINISH

DATE			
PROJECT NAME			
TYPE			
QTY			
ORDERING CODE	AE-DL-DS		UVPXX

PRODUCT DIMENSION (mm & inches)



SIZE	A	B	C	D	E
5"	6.14 (156)	4.76 (121)	0.68 (17.2)	0.78 (20)	1.92 (49)
7"	7.08 (180)	5.66 (144)	0.71 (18.03)	0.78 (20)	1.88 (48)
9"	8.85 (225)	7.44 (189)	0.7 (17.78)	0.78 (20)	1.88 (48)
12"	11.6 (294.5)	10 (255)	0.78 (19.75)	0.87 (22)	1.97 (50)
15"	14.5 (364.5)	12.7 (323)	0.81 (20.75)	0.87 (22)	1.97 (50)

DATE			
PROJECT NAME			
TYPE			
QTY			
ORDERING CODE	AE-DL-DS		UVPXX

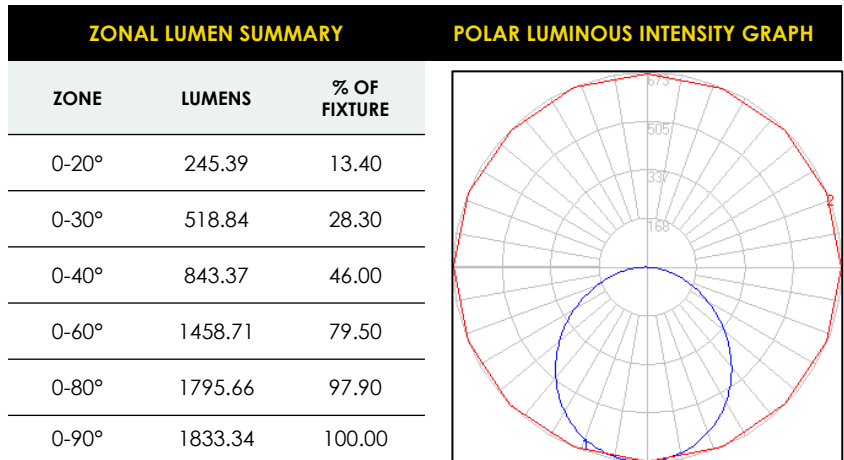
LUMEN ESTIMATE

Lumen output varies based on CCT and CRI. An estimate of lumen output of the various CCT/CRI combinations, use correction factors as per table below:

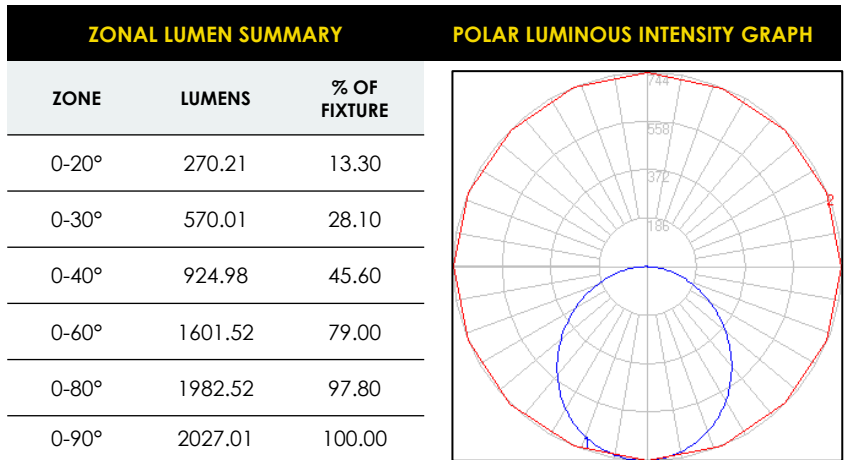
LUMEN ESTIMATE ADJUSTMENT FACTORS					
CCT	2700K	3000K	3500K	4000K	5000K
PREMIUM (90CRI)	0.96	1	1.03	1.06	1.09

PHOTOMETRIC DATA

AE-DL-DS12-21WUVPXX
12 inch
2700K CCT

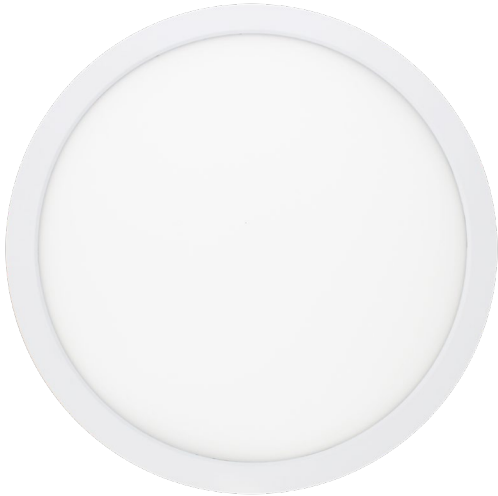


AE-DL-DS15-25WUVPXX
15 inch
2700K CCT



DATE			
PROJECT NAME			
TYPE			
QTY			
ORDERING CODE	AE-DL-DS		UVPXX

OVERVIEW



CCT SWITCHABLE

2700K, 3000K, 3500K, 4000K, 5000K CCT options in a single fixture.

PERFORMANCE

1800 Lumens at 21W and 2000 lumens at 25W both with a CRI of 90.

PREMIUM DESIGN & MATERIALS

Premium aluminum housing and acrylic lens. Robust, high performing and yet refined finish.

OPERATIONS

Operates at 120 to 277V and can have 0-10V Dimming as well.