

DISCO

LED COMMERCIAL DOWNLIGHT

Surface Mount Downlight | 5", 7", 9", 12", 15" Round

The DISCO Series offers an ideal lighting solution for seamless transitions within the home. Available in five sizes and wattages, this elegant fixture provides versatile color temperatures ranging from warm 2700K to bright 5000K, perfect for setting the desired mood for any occasion. Elevate living spaces with the DISCO Series, delivering beautiful and adaptable lighting that transforms the ambiance of any environment.

Applications: Offices | Residential | Washrooms | Shopping Center

eralux®

	DATE	QTY	ACC. QTY	TYPE
PROJECT				
PN				
ACCESSORY PN				
NOTES				



DYNAMIC MENU

Order Information	Page 2
Dimensions	Page 2
Photometric Data	Page 4

[Install Instruction link](#)

SPECIFICATIONS

Input Voltage	120-277V				
Power Factor	>0.9				
Total Harmonic Distortion	<20%				
Dimming Page 3	0-10V dimming (down to 10%)				
CRI	90 CRI				
CCT	27K	30K	35K	40K	50K
Efficacy	~80-85 LPW				
Size (inches)	5"	7"	9"	12"	15"
Power (W)	9	14	17	21	25
Ambient Temperature Range	-20°C to 45°C				
Finish	Black White				
Mounting	Surface mount to Junction				

Distribution



PRODUCT FEATURES



PRODUCT CERTIFICATIONS



SYSTEM WARRANTY – 5 YEARS

Eralux will warrant defective drivers, LEDs and boards for 5 years from the date of purchase. This warranty is valid only if the fixture is installed and used as per installation guides and specifications. If a defect is present, Eralux will send drivers and boards at no fee with a thorough replacement instructions along with instructions on the return of the defective parts back to Eralux.

LUMEN MAINTENANCE – L85 at 50,000 hours

Rated for 85% initial lumen output at 50,000 hours of operation, operated at 25°C ambient temperature; per guidelines published by the Illuminating Engineering Society (IES).

LED COMMERCIAL DOWNLIGHT

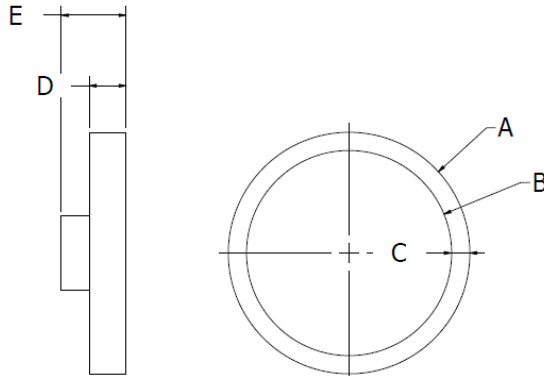
Surface Mount Downlight | 5", 7", 9", 12", 15" Round



ORDERING GUIDE

AE-DL-DS		UV	PXX	
AE-DL-DS ERALUX Disco Surface Mount Downlight	-5 -9W 5" 9W 700 Lm -7 -14W 7" 14W 1200 Lm -9 -17W 9" 17W 1400 Lm -12 -21W 12" 21W 1800 Lm -15 -25W 15" 25W 2000 Lm	UV 120-277V	PXX Premium 90 CRI 2700/3000/3500/4000/5000K CCT Switchable	-[BLANK] White -BK Black
Fixture Family	Size Power	Voltage	CRI CCT	Finish

DIMENSIONS

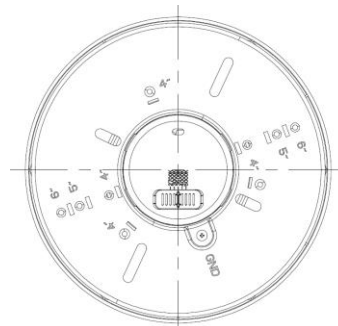


Dimensions					
	AE-DL-DS5-9W	AE-DL-DS7-14W	AE-DL-DS9-17W	AE-DL-DS12-21W	AE-DL-DS15-25W
A	Ø 6.14 in	Ø 7.08 in	Ø 8.85 in	Ø 11.6 in	Ø 14.5 in
B	Ø 4.76 in	Ø 5.66 in	Ø 7.44 in	Ø 10 in	Ø 12.7 in
C	0.68 in	0.71 in	0.7 in	0.78 in	0.81 in
D	0.78 in	0.78 in	0.78 in	0.87 in	0.87 in
E	1.92 in	1.88 in	1.88 in	1.97 in	1.9 in

Round Surface Mount Plate, for rigid installation.

Compatible with all sizes.

Screw locations available at 4", 5" & 6" from center.



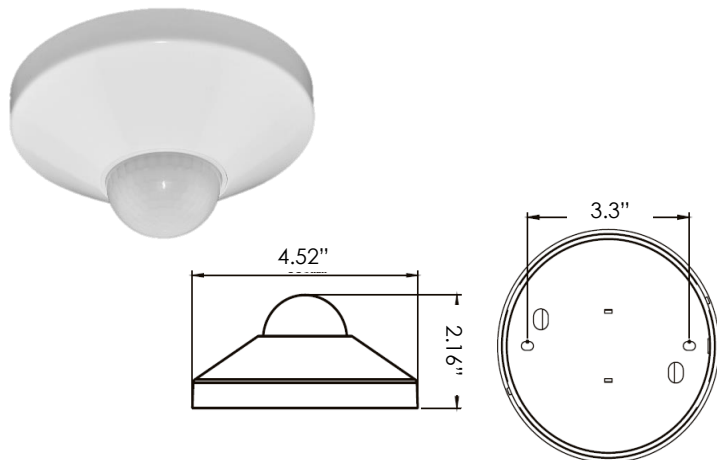
LED COMMERCIAL DOWNLIGHT

Surface Mount Downlight | 5", 7", 9", 12", 15" Round

ROOM OCCUPANCY SENSOR

PART NUMBER	DESCRIPTION
AE-CT-DT806	Line Voltage Motion Sensor
RC102	RC102 Remote Control

SPECIFICATIONS	
Input Voltage	120-277 Vac
Power Frequency	50/60HZ
Rated Load	At 120 Vac 800W
	At 277 Vac 1200W
Detection Range	3-10 Meters
	9.8-32.8 Feet
Standby Power	~0.9W
Time Setting	10 sec to 30 min
Light Control	10-2,000LUX
Installation	Ceiling Mounted



DIMMER COMPATIBILITY LIST

0-10V dimming

Brand	Model
LUTRON	RMJS-8T-DV-B
	Diva DVSTV
	MS-Z101-WH
	DVSTV-WH
	IP710-DLZ
LUXdrive™	A019

LED COMMERCIAL DOWNLIGHT

Surface Mount Downlight | 5", 7", 9", 12", 15" Round

LUMEN ESTIMATE

Lumen output varies based on CCT and CRI. An estimate of lumen output of the various CCT/CRI combinations, use correction factors as per table below:

LUMEN ESTIMATE ADJUSTMENT FACTORS

CCT	2700K	3000K	3500K	4000K	5000K
PREMIUM (90CRI)	0.96	1	1.03	1.06	1.09

PHOTOMETRIC DATA

PART NUMBER		ZONAL LUMEN SUMMARY			POLAR LUMINOUS INTENSITY	CONE DISTRIBUTION			
AE-DL-DS5-9WWUVPXX		Zone	Lumens	% Fixture		Center Beam Fc		Beam Width	
Wattage	9W	0-20°	102.62	13.5		1.7ft	97.7 fc	4.6 ft	4.6 ft
CCT	2700K	0-30°	216.43	28.4		3.3ft	25.9 fc	9.0 ft	8.9 ft
Distribution	120°	0-40°	351.35	46.1		5.0ft	11.3 fc	13.6 ft	13.5 ft
Size	5"	0-60°	609.24	79.9		6.7ft	6.29 fc	18.3 ft	18.1 ft
		0-80°	745.47	97.8		8.3ft	4.1 fc	22.6 ft	22.4 ft
		0-90°	754.76	99	10.0ft	2.82 fc	27.3 ft	27.0 ft	
					■ Vert. Spread: 107.5° ■ Horiz. Spread: 107.0°				

PART NUMBER		ZONAL LUMEN SUMMARY			POLAR LUMINOUS INTENSITY	CONE DISTRIBUTION			
AE-DL-DS7-14WUVPXX		Zone	Lumens	% Fixture		Center Beam Fc		Beam Width	
Wattage	14W	0-20°	165.13	13.3		1.7ft	157 fc	4.7 ft	4.5 ft
CCT	2700K	0-30°	349.44	28.1		3.3ft	41.6 fc	9.1 ft	8.8 ft
Distribution	120°	0-40°	568.89	45.7		5.0ft	18.1 fc	13.8 ft	13.4 ft
Size	7"	0-60°	988.31	79.4		6.7ft	10.1 fc	18.5 ft	17.9 ft
		0-80°	1214.61	97.5		8.3ft	6.58 fc	22.9 ft	22.2 ft
		0-90°	1232.68	99	10.0ft	4.53 fc	27.6 ft	26.7 ft	
					■ Vert. Spread: 108.1° ■ Horiz. Spread: 106.4°				

PART NUMBER		ZONAL LUMEN SUMMARY			POLAR LUMINOUS INTENSITY	CONE DISTRIBUTION			
AE-DL-DS9-17WUVPXX		Zone	Lumens	% Fixture		Center Beam Fc		Beam Width	
Wattage	17W	0-20°	209.8	13.3		1.7ft	199 fc	4.7 ft	4.7 ft
CCT	2700K	0-30°	443	8		3.3ft	52.9 fc	9.0 ft	9.1 ft
Distribution	120°	0-40°	720.03	45.5		5.0ft	23 fc	13.7 ft	13.7 ft
Size	7"	0-60°	1251.62	79.1		6.7ft	12.8 fc	18.4 ft	18.4 ft
		0-80°	1542.59	97.5		8.3ft	8.36 fc	22.7 ft	22.8 ft
		0-90°	1566.04	99	10.0ft	5.76 fc	27.4 ft	27.5 ft	
					■ Vert. Spread: 107.8° ■ Horiz. Spread: 107.9°				

LED COMMERCIAL DOWNLIGHT

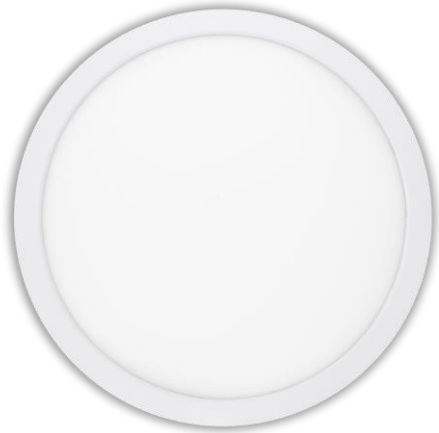
Surface Mount Downlight | 5", 7", 9", 12", 15" Round

PHOTOMETRIC DATA

PART NUMBER		ZONAL LUMEN SUMMARY			POLAR LUMINOUS INTENSITY	CONE DISTRIBUTION			
AE-DL-DS12-21WUVPXX		Zone	Lumens	% Fixture	Direct Light	Center Beam Fc	Beam Width		
Wattage	21W	0-20°	245.39	13.40		1.7ft	233 fc	4.6 ft	4.6 ft
CCT	2700K	0-30°	518.84	28.30		3.3ft	61.8 fc	9.0 ft	8.9 ft
Distribution	120°	0-40°	843.37	46.00		5.0ft	26.9 fc	13.6 ft	13.6 ft
Size	12"	0-60°	1458.71	79.50		6.7ft	15 fc	18.2 ft	18.2 ft
		0-80°	1795.66	97.90		8.3ft	9.77 fc	22.5 ft	22.5 ft
		0-90°	1833.34	100.00	10.0ft	6.73 fc	27.1 ft	27.1 ft	

PART NUMBER		ZONAL LUMEN SUMMARY			POLAR LUMINOUS INTENSITY	CONE DISTRIBUTION			
AE-DL-DS15-25WUVPXX		Zone	Lumens	% Fixture	Direct Light	Center Beam Fc	Beam Width		
Wattage	25W	0-20°	270.21	13.30		1.7ft	257 fc	4.6 ft	4.6 ft
CCT	2700K	0-30°	570.01	28.10		3.3ft	68.2 fc	8.9 ft	8.9 ft
Distribution	120°	0-40°	924.98	45.60		5.0ft	29.7 fc	13.6 ft	13.5 ft
Size	15"	0-60°	1601.52	79.00		6.7ft	16.5 fc	18.2 ft	18.1 ft
		0-80°	1982.52	97.80		8.3ft	10.8 fc	22.5 ft	22.4 ft
		0-90°	2027.01	100.00	10.0ft	7.43 fc	27.1 ft	27.0 ft	

OVERVIEW



Innovative Design

- Housing made from aluminum for increased rigidity and strength.
- Strong, high-performing design with a sleek, refined finish.



Multiple Options

- 5 distinct sizes each offering a different power output.
- 5 CCT switchable from 2700K to 5000K.
- 0-10V Dimming.



SIZE	LUMENS
5"	700 Lm
7"	1200 Lm
9"	1400 Lm
12"	1800 Lm
15"	2000 Lm



Mountings Available

Surface Mount to a junction box, using a round mounting plate for rigid installation.



Tests And Certifications

