

DOUBLE RING

DECORATIVE DOWNLIGHT

Surface/Stem Mount Round | 12", 14", 16" Round

The 2nd Double RING Series is an ideal choice for homes, offering a smooth transition between different areas with its versatile light source. Available in 15W, 20W, and 28W options, it features five CCT switchable settings. Additionally, it allows for a quick upgrade from traditional lighting technologies thanks to its TRIAC dimming functionality. Also available in stem mount.

Applications: Residential | Retail Stores | Hospitality | Office.

eralux®

	DATE	QTY	ACC. QTY	TYPE
PROJECT				
PN				
ACCESSORY PN				
NOTES				



DYNAMIC MENU

Order Information	Page 2
Dimensions	Page 2
Photometric Data	Page 4

[Install Instruction link](#)

SPECIFICATIONS

Input Voltage	120V			
Power Factor	>0.9			
Total Harmonic Distortion	<20%			
Dimming Page 3	TRIAC			
CRI	80 CRI			
CCT	<div style="display: flex; gap: 10px;"> <div style="background-color: #fff9c4; border-radius: 50%; padding: 2px 5px;">27K</div> <div style="background-color: #fff176; border-radius: 50%; padding: 2px 5px;">30K</div> <div style="background-color: #fff9c4; border-radius: 50%; padding: 2px 5px;">35K</div> <div style="background-color: #bbdefb; border-radius: 50%; padding: 2px 5px;">40K</div> <div style="background-color: #bbdefb; border-radius: 50%; padding: 2px 5px;">50K</div> </div>			
Efficacy	~80 LPW			
Size (inch)	<table border="1" style="display: inline-table; border-collapse: collapse;"> <tr> <td>12</td> <td>14</td> <td>16</td> </tr> </table>	12	14	16
12	14	16		
Power (W)	<table border="1" style="display: inline-table; border-collapse: collapse;"> <tr> <td>20</td> <td>24</td> <td>28</td> </tr> </table>	20	24	28
20	24	28		
Ambient Temperature Range	-10°C to 40°C			
Finish	Brushed metal			
Mounting	Surface mount			
	Stem mount			
Distribution	<p style="text-align: center;">120°</p>			



PRODUCT FEATURES



PRODUCT CERTIFICATIONS



SYSTEM WARRANTY – 5 YEARS

Eralux will warrant defective drivers, LEDs and boards for 5 years from the date of purchase. This warranty is valid only if the fixture is installed and used as per installation guides and specifications. If a defect is present, Eralux will send drivers and boards at no fee with a thorough replacement instructions along with instructions on the return of the defective parts back to Eralux.

LUMEN MAINTENANCE – L85 at 50,000 hours

Rated for 70% initial lumen output at 50,000 hours of operation, operated at 25°C ambient temperature; per guidelines published by the Illuminating Engineering Society (IES).

DOUBLE RING

DECORATIVE DOWNLIGHT

Surface/Stem Mount Round | 12", 14", 16" Round

ORDERING GUIDE

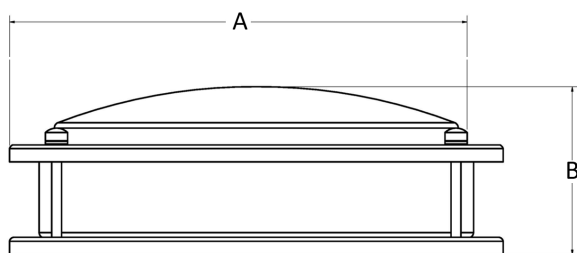
AE-DL-DR-		-82750	-TRIAC
AE-DL-DR- ERALUX DOUBLE RING Decorative Downlight	12-20W 12" 20W 1500 lms 14-24W 14" 24W 1800 lms 16-28W 16" 28W 1960 lms	-82750 80 CRI 2700/3000-3500/4000/5000K CCT Switchable	-TRIAC TRIAC Dimming
Fixture Family	Size Power	CRI CCT	Dimming

ORDERING GUIDE – ACCESSORY

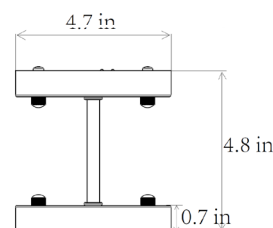
AE-DL-DR- ERALUX DOUBLE RING Decorative Downlight	STEM-KIT	-SV Brushed Nickel
Fixture Family	Accessory	Finish

DIMENSIONS

FIXTURE



STEM



Dimensions

	AE-DL-DR-12-16W	AE-DL-DR-14-20W	AE-DL-DR-16-28W
A	Ø 12 in	Ø 14 in	Ø 16 in
B	2.12 in	2.12 in	2.12 in

DOUBLE RING

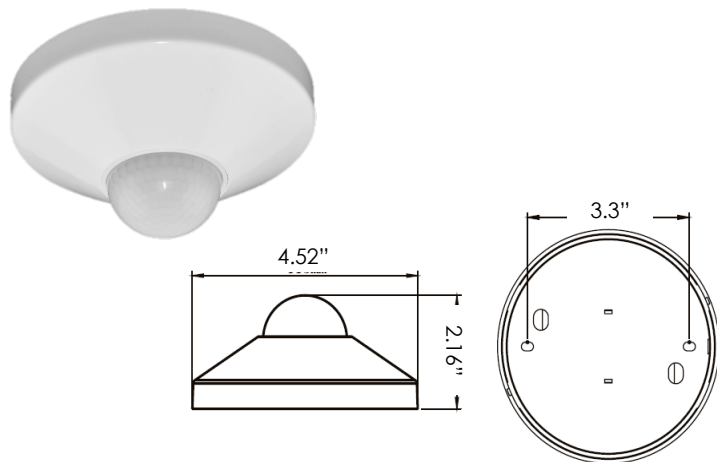
DECORATIVE DOWNLIGHT

Surface/Stem Mount Round | 12", 14", 16" Round

ROOM OCCUPANCY SENSOR

PART NUMBER	DESCRIPTION
AE-CT-DT806	Line Voltage Motion Sensor
RC102	RC102 Remote Control

SPECIFICATIONS	
Input Voltage	120-277 Vac
Power Frequency	50/60HZ
Rated Load	At 120 Vac 800W
	At 277 Vac 1200W
Detection Range	3-10 Meters
	9.8-32.8 Feet
Standby Power	~0.9W
Time Setting	10 sec to 30 min
Light Control	10-2,000LUX
Installation	Ceiling Mounted



DIMMER COMPATIBILITY LIST

TRIAC DIMMING

Brand	Model	Brand	Model
LUTRON	S-600PR-WH	LEVITON	6631-1LW
	CTCL-153PR-WH		6674-POT
	DVWCL-153PH-WH		6672-1LW
	DVCL-153PR-BL		6683-IW
	TG600PR-LA		
	TGCL-153PH-WH		
	CT600P-WH		

DECORATIVE DOWNLIGHT

Surface/Stem Mount Round | 12", 14", 16" Round

LUMEN ESTIMATE

Lumen output varies based on CCT and CRI. An estimate of lumen output of the various CCT/CRI combinations, use correction factors as per table below:

LUMEN ESTIMATE ADJUSTMENT FACTORS

CCT	2700K	3000K	3500K	4000K	5000K
PREMIUM (90CRI)	0.96	1	1.03	1.06	1.09

PHOTOMETRIC DATA

PART NUMBER		ZONAL LUMEN SUMMARY			POLAR LUMINOUS INTENSITY	CONE DISTRIBUTION			
AE-DL-DR-12-20W-82750-TRIAC		Zone	Lumens	% Fixture	Direct Light	Center Beam Fc	Beam Width		
Wattage	20W	0-20°	163.97	10.3		1.7ft	118 fc	5.9 ft	5.9 ft
CCT	2700K	0-30°	349.94	22		3.3ft	31.4 fc	11.4 ft	11.4 ft
Distribution	120°	0-40°	577.73	36.3		5.0ft	13.7 fc	17.3 ft	17.3 ft
		0-60°	1049.59	65.9		6.7ft	7.61 fc	23.1 ft	23.2 ft
		0-80°	1371.21	86.1		8.3ft	4.96 fc	28.6 ft	28.8 ft
		0-90°	1455.05	91.4		10.0ft	3.42 fc	34.5 ft	34.6 ft
						■ Vert. Spread: 119.8° ■ Horiz. Spread: 120.0°			

PART NUMBER		ZONAL LUMEN SUMMARY			POLAR LUMINOUS INTENSITY	CONE DISTRIBUTION			
AE-DL-DR-14-24W-82750-TRIAC		Zone	Lumens	% Fixture	Direct Light	Center Beam Fc	Beam Width		
Wattage	24W	0-20°	205.73	10.8		1.7ft	154 fc	5.9 ft	5.9 ft
CCT	2700K	0-30°	438.68	23.1		3.3ft	41 fc	11.5 ft	11.5 ft
Distribution	120°	0-40°	723.11	38.1		5.0ft	17.8 fc	17.4 ft	17.5 ft
		0-60°	1305.7	68.7		6.7ft	9.94 fc	23.3 ft	23.4 ft
		0-80°	1685.7	88.7		8.3ft	6.48 fc	28.8 ft	29.0 ft
		0-90°	1772.33	93.3		10.0ft	4.46 fc	34.7 ft	34.9 ft
						■ Vert. Spread: 120.1° ■ Horiz. Spread: 120.4°			

PART NUMBER		ZONAL LUMEN SUMMARY			POLAR LUMINOUS INTENSITY	CONE DISTRIBUTION			
AE-DL-DR-16-28W-82750-TRIAC		Zone	Lumens	% Fixture	Direct Light	Center Beam Fc	Beam Width		
Wattage	28W	0-20°	230.19	10.6		1.7ft	194 fc	5.7 ft	5.7 ft
CCT	2700K	0-30°	489.75	22.5		3.3ft	51.5 fc	11.0 ft	11.0 ft
Distribution	120°	0-40°	807.85	37.1		5.0ft	22.4 fc	16.7 ft	16.7 ft
		0-60°	1454.63	66.8		6.7ft	12.5 fc	22.4 ft	22.4 ft
		0-80°	1900.03	87.2		8.3ft	8.14 fc	27.8 ft	27.7 ft
		0-90°	2007.8	92.1		10.0ft	5.61 fc	33.4 ft	33.4 ft
						■ Vert. Spread: 118.2° ■ Horiz. Spread: 118.2°			

DOUBLE RING

DECORATIVE DOWNLIGHT

Surface/Stem Mount Round | 12", 14", 16" Round

OVERVIEW



Multiple Options

- 3 distinct sizes each offering a different power output
- 5 CCT switchable from 2700K to 5000K.



Innovative Design

- Housing made from aluminum for increased rigidity and strength.
- Strong, high-performing design with a sleek, refined finish.



Mounting Available

- Surface Mount
- Stem Mount



Tests And Certifications

