

DREAM CHASER MAX



TRACK LED LIGHT

Cylinder Track Head | 4" Aperture

The DREAM CHASER series stands out with its elegant heatsink and stylish curved die-cast housing. With four CCT options and three beam angle distributions, it provides customizable lighting for any environment. Made from durable aluminum die-cast, it ensures efficient heat management, and the TRIAC dimming feature allows for easy brightness adjustments. The Dream Chaser Max version distinguishes itself through its high lumen output and is perfect for higher track installations.

Applications: Art Galleries | Show Rooms | Retail Stores | Hospitality.

	DATE	QTY	ACC. QTY	TYPE
PROJECT				
PN				
ACCESSORY PN				
NOTES				



DYNAMIC MENU

Order Information	Page 2
Dimensions	Page 3
Accessories	Page 4
Photometric Data	Page 5

[Install Instruction link](#)

SPECIFICATIONS

Input Voltage	120V
Power Factor	>0.9
Total Harmonic Distortion	<20%
Dimming	TRIAC dimming
CRI	90 CRI
CCT	<div style="display: flex; gap: 10px;"> <div style="border: 1px solid black; border-radius: 50%; width: 20px; height: 20px; background-color: #fff9c4; display: flex; align-items: center; justify-content: center;">27K</div> <div style="border: 1px solid black; border-radius: 50%; width: 20px; height: 20px; background-color: #fff176; display: flex; align-items: center; justify-content: center;">30K</div> <div style="border: 1px solid black; border-radius: 50%; width: 20px; height: 20px; background-color: #e0e0e0; display: flex; align-items: center; justify-content: center;">35K</div> <div style="border: 1px solid black; border-radius: 50%; width: 20px; height: 20px; background-color: #bbdefb; display: flex; align-items: center; justify-content: center;">40K</div> </div>
Efficacy	~79-90 lm/W
Power	50 W 4550 lm
Ambient Temperature Range	-10°C to 35°C
Mounting Adapter	Juno Global Halo Lightolier
Mounting Options	Track System Monopoint
Fixture Finish	Black White Silver
Distribution	Spotlight Narrow Flood 



PRODUCT CERTIFICATIONS



SYSTEM WARRANTY – 5 YEARS

Eralux will warrant defective drivers, LEDs and boards for 5 years from the date of purchase. This warranty is valid only if the fixture is installed and used as per installation guides and specifications. If a defect is present, Eralux will send drivers and boards at no fee with a thorough replacement instructions along with instructions on the return of the defective parts back to Eralux.

LUMEN MAINTENANCE – L70 at 50,000 hours

Rated for 70% initial lumen output at 50,000 hours of operation, operated at 25°C ambient temperature; per guidelines published by the Illuminating Engineering Society (IES).

TRACK LED LIGHT

Cylinder Track Head | 4" Aperture



ORDERING GUIDE

AE-TL-DCX		P			
AE-TL-DCX ERALUX Dream Chaser Max Track Head 50 W 4550 lm	SP Spotlight 20° NF Narrow Flood 40° FL Flood 59°	P Premium 90 CRI	27 2700K 30 3000K 35 3500K 40 4000K	J1 Juno G1 Global H1 Halo L1 Lightolier	BK Black powder coat WH White powder coat SV Silver powder Coat
Fixture Family	Distribution	CRI	CCT	Adapter	Finish



ORDERING GUIDE-ACCESSORIES

Ordered separately

T10016 Monopoint Mounting T10017 Duopoint Mounting	-BK Black -WH White
Mounting	Finish

ORDERING GUIDE- TRACK SYSTEM

Track system and components are ordered with the track head if needed.

Refer to the links below for more information

T1
[ERALUX Track T1](#)
Compatible with Juno system-1 circuit

T2
[ERALUX Track T2](#)
Compatible with Juno system-2 circuit

H1
[ERALUX Track H1](#)
Compatible with Halo system-1 circuit

- 2** 2ft track
- 4** 4ft track
- 6** 6ft track
- 8** 8ft track
- 12** 12ft track
- 0001** Mini I Connector
- 0002** T Connector
- 0003** L Connector
- 0004** X Connector
- 0015** End Feed

-BK
Black Finish

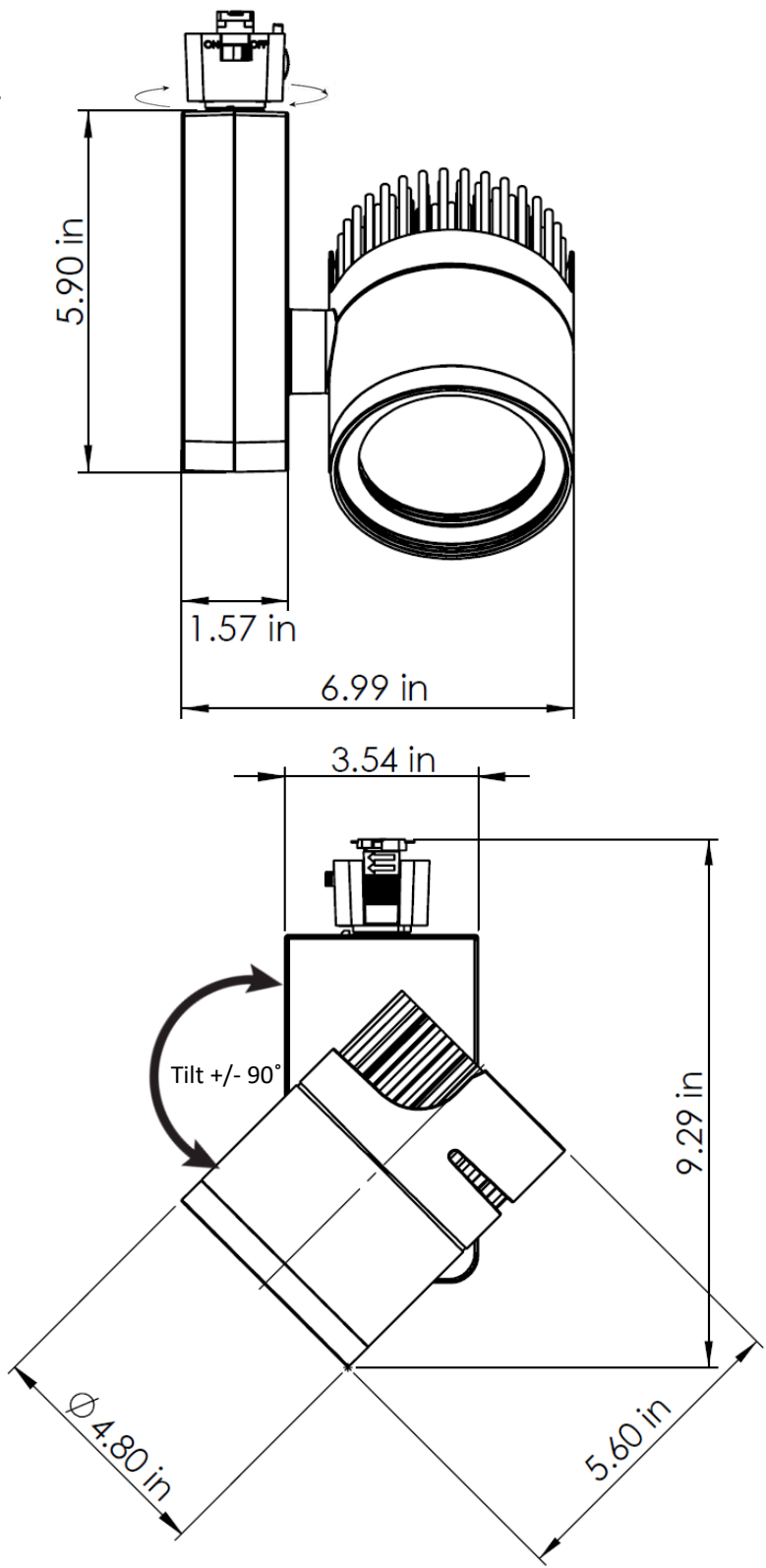
-WH
White Finish

Track System	Components	Finish	PN	QTY
---------------------	-------------------	---------------	-----------	------------

DIMENSIONS

AE-TL-DCXXX

- Rotation up to 355°
- Tilt +/- 90°



DREAM CHASER MAX

TRACK LED LIGHT

Cylinder Track Head | 4" Aperture

ACCESSORIES

MOUNTING

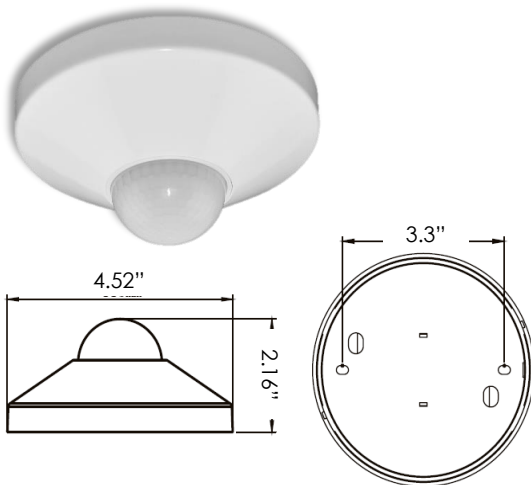
ORDERING CODE		DESCRIPTION	PICTURE
T10016	-WH	Monopoint adapter Surface / wall mount Compatible with Juno system 1 Track head can be installed.	
	-BK		
T10017	-WH	Duopoint adapter Surface / wall mount Compatible with Juno system. 2 Track heads can be installed.	
	-BK		

ROOM OCCUPANCY SENSOR

Ordered separately, field installed

PART NUMBER	DESCRIPTION
AE-CT-DT806	Detecta - Room Occupancy Sensor
RC102	RC102 Remote Control

SPECIFICATIONS	
Input Voltage	120-277 Vac
Power Frequency	50/60HZ
Rated Load	At 120 Vac 800W
	At 277 Vac 1200W
Detection Range	3-10 Meters
	9.8-32.75 Feet
Standby Power	~0.9W
Time Setting	10 sec to 30 min
Light Control	10-2,000LUX
Installation	Ceiling Mounted



LUMEN ESTIMATE

Lumen output varies based on CCT and CRI. An estimate of lumen output of the various CCT/CRI combinations, use correction factors as per table below:

LUMEN ESTIMATE ADJUSTMENT FACTORS

CCT	2700K	3000K	3500K	4000K
PREMIUM (90CRI)	0.8	0.86	0.93	0.93

PHOTOMETRIC DATA

PART NUMBER		ZONAL LUMEN SUMMARY			POLAR LUMINOUS INTENSITY	CONE DISTRIBUTION			
AE-TL-DCXSPP30XXXX		Zone	Lumens	% Fixture	Direct Light	Center Beam Fc	Beam Width		
Wattage	50W	0-20°	2564.91	56.00		1.7ft	5746 fc	0.6 ft	0.6 ft
CCT	3000K	0-30°	3764.1	82.20		3.3ft	1525 fc	1.2 ft	1.2 ft
Distribution	20°	0-40°	4258.02	93.00		5.0ft	664 fc	1.7 ft	1.8 ft
CBCP	14568	0-60°	4397.12	96.10		6.7ft	370 fc	2.3 ft	2.4 ft
		0-80°	4487.27	98.00		8.3ft	241 fc	2.9 ft	3.0 ft
		0-90°	4503.72	98.40	10.0ft	166 fc	3.5 ft	3.6 ft	
						■ Vert. Spread: 19.8° ■ Horiz. Spread: 20.4°			

PART NUMBER		ZONAL LUMEN SUMMARY			POLAR LUMINOUS INTENSITY	CONE DISTRIBUTION			
AE-TL-DCXNFP30XXXX		Zone	Lumens	% Fixture	Direct Light	Center Beam Fc	Beam Width		
Wattage	50W	0-20°	2330.79	49.10		1.7ft	2889 fc	1.2 ft	1.3 ft
CCT	3000K	0-30°	3693.29	77.80		3.3ft	767 fc	2.4 ft	2.4 ft
Distribution	40°	0-40°	4233.75	89.20		5.0ft	334 fc	3.6 ft	3.7 ft
CBCP	7224	0-60°	4432.52	93.30		6.7ft	186 fc	4.9 ft	5.0 ft
		0-80°	4568.83	96.20		8.3ft	121 fc	6.1 ft	6.1 ft
		0-90°	4601.83	96.90	10.0ft	83.5 fc	7.3 ft	7.4 ft	
						■ Vert. Spread: 40.1° ■ Horiz. Spread: 40.6°			

PART NUMBER		ZONAL LUMEN SUMMARY			POLAR LUMINOUS INTENSITY	CONE DISTRIBUTION			
AE-TL-DCXFLP30XXXX		Zone	Lumens	% Fixture	Direct Light	Center Beam Fc	Beam Width		
Wattage	50W	0-20°	1726.93	39.80		1.7ft	1816 fc	1.9 ft	1.9 ft
CCT	3000K	0-30°	3199.71	73.70		3.3ft	482 fc	3.7 ft	3.7 ft
Distribution	59°	0-40°	3988.36	91.80		5.0ft	210 fc	5.6 ft	5.6 ft
CBCP	4550	0-60°	4213.11	97.00		6.7ft	117 fc	7.5 ft	7.5 ft
		0-80°	4286.06	98.70		8.3ft	76.2 fc	9.3 ft	9.3 ft
		0-90°	4296.85	98.90	10.0ft	52.5 fc	11.2 ft	11.2 ft	
						■ Vert. Spread: 58.6° ■ Horiz. Spread: 58.6°			

OVERVIEW



Innovative Design

- Die cast aluminum housing for better heat dissipation.
- Improved heatsink head extends LED and driver lifespan.
- Higher lumen output than the Dream Chaser



Multiple Options

- 20°, 40° or 59° beam angle
- Four CCTs available.
- Black, white, and silver finishes.



Tests And Certifications



Mountings Available

- Choose from any of the popular track systems such as Juno, Halo, Lightolier, or Global.
- Surface mount with either monopoint or duopoint adapters.

