

# DREAM CHASER MINI

## TRACK LED LIGHT

### Cylinder Track Head | 2.2" Aperture

The DREAM CHASER series differentiates itself with the appearance of its heatsink combined elegantly with the curvy machined die cast housing. With straight forward installation, adjustments to the lighting can be made quickly and effortlessly. It is available in 4 different CCT temperature and 3 housing finishes to offer a variety of options. The Mini differentiates itself in the Dream Chaser series by its 4 distribution options and lower lumen output.

Applications: Art Galleries | Show Rooms | Retail Stores | Hospitality.

	DATE	QTY	ACC. QTY	TYPE
PROJECT				
PN				
ACCESSORY PN				
NOTES				

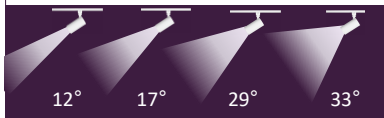
### DYNAMIC MENU

Order Information	<a href="#">Page 2</a>
Dimensions	<a href="#">Page 3</a>
Accessories	<a href="#">Page 4</a>
Photometric Data	<a href="#">Page 5</a>

[Install Instruction link](#)

### SPECIFICATIONS

Input Voltage	120V
Power Factor	>0.9
Total Harmonic Distortion	<20%
Dimming	TRIAC dimming
CRI	90 CRI
CCT	<div style="display: flex; gap: 10px;"> <div style="border: 1px solid black; border-radius: 50%; width: 20px; height: 20px; background-color: #fff9c4; display: flex; align-items: center; justify-content: center;">27K</div> <div style="border: 1px solid black; border-radius: 50%; width: 20px; height: 20px; background-color: #fff176; display: flex; align-items: center; justify-content: center;">30K</div> <div style="border: 1px solid black; border-radius: 50%; width: 20px; height: 20px; background-color: #e0e0e0; display: flex; align-items: center; justify-content: center;">35K</div> <div style="border: 1px solid black; border-radius: 50%; width: 20px; height: 20px; background-color: #bbdefb; display: flex; align-items: center; justify-content: center;">40K</div> </div>
Efficacy	~72-84 lm/W
Power	20 W
Ambient Temperature Range	-10°C to 35°C
Mounting Adapter	Juno   Global   Halo   Lightolier
Mounting Options	Track System   Monopoint
Fixture Finish	Black   White   Silver
Distribution	Spotlight   Narrow   Flood   Wide Flood



### PRODUCT CERTIFICATIONS



### SYSTEM WARRANTY – 5 YEARS

Eralux will warrant defective drivers, LEDs and boards for 5 years from the date of purchase. This warranty is valid only if the fixture is installed and used as per installation guides and specifications. If a defect is present, Eralux will send drivers and boards at no fee with a thorough replacement instructions along with instructions on the return of the defective parts back to Eralux.

### LUMEN MAINTENANCE – L70 at 50,000 hours

Rated for 70% initial lumen output at 50,000 hours of operation, operated at 25°C ambient temperature; per guidelines published by the Illuminating Engineering Society (IES).

## TRACK LED LIGHT

Cylinder Track Head | 2.2" Aperture



### ORDERING GUIDE

<b>AE-TL-DCM</b>		<b>P</b>			
<b>AE-TL-DCM</b> ERALUX Dream Chaser Mini Track Head 20 W   1,548 Lm	<b>SP</b> Spotlight 12° <b>NF</b> Narrow Flood 17° <b>FL</b> Flood 29° <b>WF</b> Wide Flood 33°	<b>P</b> Premium 90 CRI	<b>27</b> 2700K <b>30</b> 3000K <b>35</b> 3500K <b>40</b> 4000K	<b>J1</b> Juno <b>G1</b> Global <b>H1</b> Halo <b>L1</b> Lightolier	<b>BK</b> Black powder coat <b>WH</b> White powder coat <b>SV</b> Silver powder Coat

<b>Fixture Family</b>	<b>Distribution</b>	<b>CRI</b>	<b>CCT</b>	<b>Adapter</b>	<b>Finish</b>
-----------------------	---------------------	------------	------------	----------------	---------------



### ORDERING GUIDE-ACCESSORIES

Ordered separately

<b>T10016</b> Monopoint Mounting <b>T10017</b> Duopoint Mounting	<b>-BK</b> Black <b>-WH</b> White
<b>Mounting</b>	<b>Finish</b>

### ORDERING GUIDE- TRACK SYSTEM

Track system and components are ordered with the track head if needed.

Refer to the links below for more information

<b>T1</b> ERALUX Track T1 Compatible with Juno system-1 circuit	<b>-2</b> 2ft track <b>-4</b> 4ft track <b>-6</b> 6ft track <b>-8</b> 8ft track <b>-12</b> 12ft track	<b>-BK</b> Black Finish	
<b>T2</b> ERALUX Track T2 Compatible with Juno system-2 circuit	<b>0001</b> Mini I Connector <b>0002</b> T Connector <b>0003</b> L Connector <b>0004</b> X Connector <b>0015</b> End Feed	<b>-WH</b> White Finish	

<b>Track System</b>	<b>Components</b>	<b>Finish</b>	<b>PN</b>	<b>QTY</b>
---------------------	-------------------	---------------	-----------	------------

# DREAM CHASER MINI

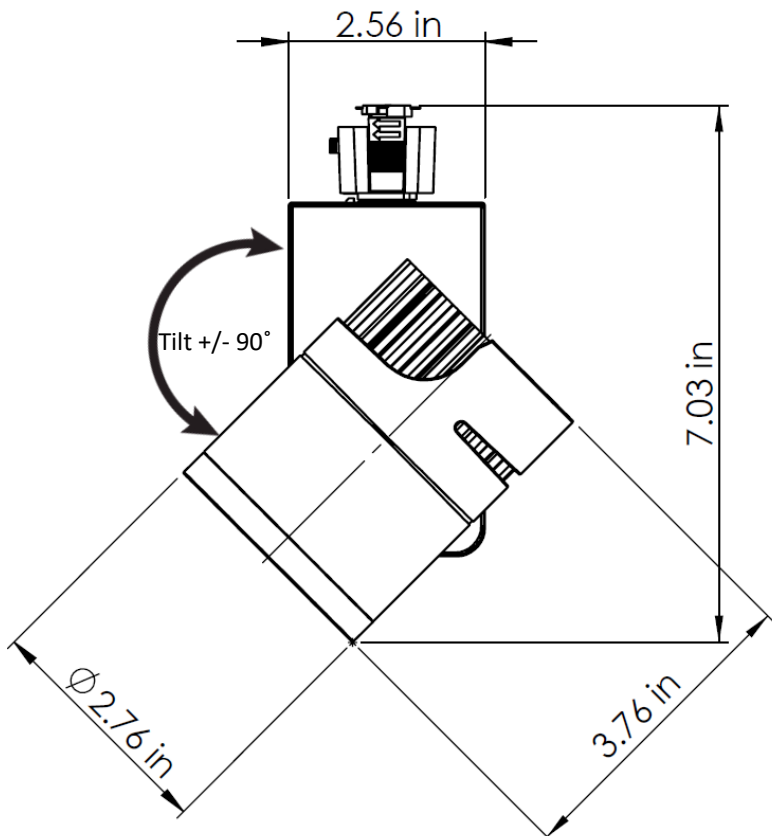
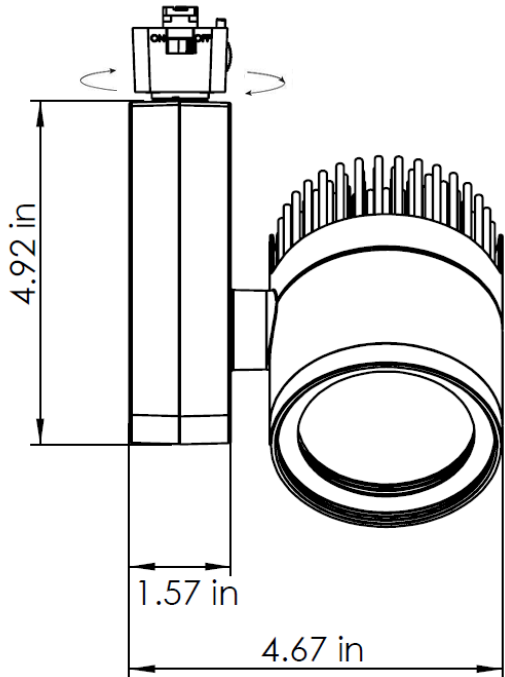
## TRACK LED LIGHT

Cylinder Track Head | 2.2" Aperture

### DIMENSIONS

AE-TL-DCXX

- Rotation up to 355°
- Tilt +/- 90°



# DREAM CHASER MINI

## TRACK LED LIGHT

Cylinder Track Head | 2.2" Aperture

### ACCESSORIES

#### MOUNTING

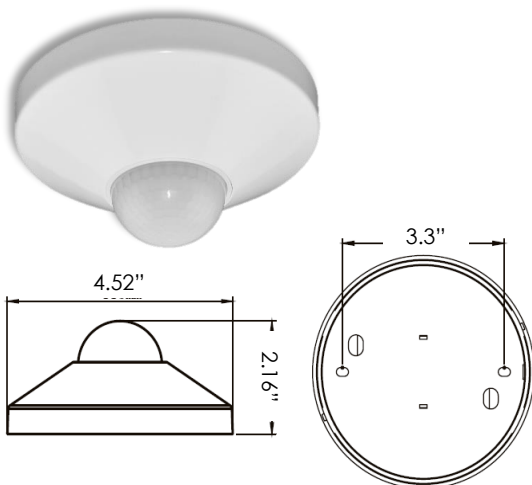
ORDERING CODE		DESCRIPTION	PICTURE
T10016	-WH	Monopoint adapter Surface / wall mount Compatible with Juno system 1 Track head can be installed.	
	-BK		
T10017	-WH	Duopoint adapter Surface / wall mount Compatible with Juno system. 2 Track heads can be installed.	
	-BK		

### ROOM OCCUPANCY SENSOR

Ordered separately, field installed

PART NUMBER	DESCRIPTION
AE-CT-DT806	Detecta - Room Occupancy Sensor
RC102	RC102 Remote Control

SPECIFICATIONS		
Input Voltage	120-277 Vac	
Power Frequency	50/60HZ	
Rated Load	At 120 Vac	800W
	At 277 Vac	1200W
Detection Range	3-10 Meters	
	9.8-32.75 Feet	
Standby Power	~0.9W	
Time Setting	10 sec to 30 min	
Light Control	10-2,000LUX	
Installation	Ceiling Mounted	



### LUMEN ESTIMATE

Lumen output varies based on CCT and CRI. An estimate of lumen output of the various CCT/CRI combinations, use correction factors as per table below:

#### LUMEN ESTIMATE ADJUSTMENT FACTORS

CCT	2700K	3000K	3500K	4000K
PREMIUM (90CRI)	0.8	0.86	0.93	0.93

### PHOTOMETRIC DATA

PART NUMBER		ZONAL LUMEN SUMMARY			POLAR LUMINOUS INTENSITY	CONE DISTRIBUTION			
AE-TL-DCMSPP30XXXX		Zone	Lumens	% Fixture	Direct Light	Center Beam Fc	Beam Width		
Wattage	20W	0-20°	996.37	63.40		1.7ft	3675 fc	0.4 ft	0.4 ft
CCT	3000K	0-30°	1413.22	90.00		3.3ft	975 fc	0.7 ft	0.7 ft
Distribution	12°	0-40°	1496.7	95.30		5.0ft	425 fc	1.1 ft	1.1 ft
CBCP	10500	0-60°	1516.42	96.60		6.7ft	237 fc	1.4 ft	1.5 ft
		0-80°	1535.23	97.70		8.3ft	154 fc	1.8 ft	1.8 ft
		0-90°	1541.14	98.10	10.0ft	106 fc	2.1 ft	2.2 ft	
						<span style="color:blue">■</span> Vert. Spread: 12.1° <span style="color:red">■</span> Horiz. Spread: 12.7°			

PART NUMBER		ZONAL LUMEN SUMMARY			POLAR LUMINOUS INTENSITY	CONE DISTRIBUTION			
AE-TL-DCMNF30XXXX		Zone	Lumens	% Fixture	Direct Light	Center Beam Fc	Beam Width		
Wattage	20W	0-20°	980.57	62.60		1.7ft	2649 fc	0.5 ft	0.5 ft
CCT	3000K	0-30°	1402.81	89.60		3.3ft	703 fc	1.0 ft	1.0 ft
Distribution	17°	0-40°	1490.28	95.20		5.0ft	306 fc	1.5 ft	1.5 ft
CBCP	7244	0-60°	1516.13	96.80		6.7ft	171 fc	2.0 ft	2.0 ft
		0-80°	1535.13	98.10		8.3ft	111 fc	2.4 ft	2.5 ft
		0-90°	1540.16	98.40	10.0ft	76.6 fc	2.9 ft	3.0 ft	
						<span style="color:blue">■</span> Vert. Spread: 16.6° <span style="color:red">■</span> Horiz. Spread: 16.8°			

PART NUMBER		ZONAL LUMEN SUMMARY			POLAR LUMINOUS INTENSITY	CONE DISTRIBUTION			
AE-TL-DCMWF30XXXX		Zone	Lumens	% Fixture	Direct Light	Center Beam Fc	Beam Width		
Wattage	20W	0-20°	921.19	58.70		1.7ft	1328 fc	1.0 ft	1.0 ft
CCT	3000K	0-30°	1374.64	87.60		3.3ft	352 fc	2.0 ft	2.0 ft
Distribution	33°	0-40°	1473.51	93.90		5.0ft	153 fc	3.0 ft	3.0 ft
CBCP	3581	0-60°	1516.12	96.60		6.7ft	85.5 fc	4.0 ft	4.0 ft
		0-80°	1537.62	97.90		8.3ft	55.7 fc	5.0 ft	4.9 ft
		0-90°	1542.96	98.30	10.0ft	38.4 fc	6.0 ft	6.0 ft	
						<span style="color:blue">■</span> Vert. Spread: 33.3° <span style="color:red">■</span> Horiz. Spread: 33.2°			

#### OVERVIEW



#### Innovative Design

- Selected aluminum for better heat dissipation.
- Improved heatsink head extends LED and driver lifespan.
- Smaller size and lower lumen output than the Dream Chaser



#### Multiple Options

- 12°, 17°, 29° or 33° beam angle
- Four CCTs available.
- Black, white, and silver finishes.



#### Tests And Certifications



#### Mountings Available

- Choose from any of the popular track systems such as Juno, Halo, Lightolier, or Global.
- Surface mount with either monopoint or duopoint adapters.

