

# DREAM CHASER

## TRACK LED LIGHT

### Cylinder Track Head | 2.7" Aperture | 4.7" Length

The DREAM CHASER differentiates itself with the appearance of its heatsink combined elegantly with the curvy machined die cast housing. Its useful mounting options allow for seamless customization. With straight forward installation, adjustments to the lighting can be made quickly and effortlessly. It is available in 4 different CCT temperature and 3 housing finishes to offer a variety of options.

Applications: Art Galleries | Show Rooms | Retail Stores | Hospitality

	DATE	QTY	ACC. QTY	TYPE
PROJECT				
PN				
ACCESSORY PN				
NOTES				

### DYNAMIC MENU

Order Information	<a href="#">Page 2</a>
Dimensions	<a href="#">Page 3</a>
Accessories	<a href="#">Page 4</a>
Photometric Data	<a href="#">Page 5</a>

[Install Instruction link](#)

### SPECIFICATIONS

Input Voltage	120-277V
Power Factor	>0.9
Total Harmonic Distortion	<20%
Dimming	TRIAC dimming
CRI	90 CRI
CCT	<div style="display: flex; gap: 10px;"> <div style="border: 1px solid black; border-radius: 50%; width: 20px; height: 20px; background-color: #fff9c4; display: flex; align-items: center; justify-content: center;">27K</div> <div style="border: 1px solid black; border-radius: 50%; width: 20px; height: 20px; background-color: #fff176; display: flex; align-items: center; justify-content: center;">30K</div> <div style="border: 1px solid black; border-radius: 50%; width: 20px; height: 20px; background-color: #c8e6c9; display: flex; align-items: center; justify-content: center;">35K</div> <div style="border: 1px solid black; border-radius: 50%; width: 20px; height: 20px; background-color: #bbdefb; display: flex; align-items: center; justify-content: center;">40K</div> </div>
Efficacy	~76-88 lm/W
Power	27 W
Ambient Temperature Range	-10°C to 35°C
Mounting Adapter	Juno   Global   Halo   Lightolier
Mounting Options	Track System   Monopoint
Fixture Finish	Black   White   Silver
Distribution	Spotlight   Narrow   Flood 



### PRODUCT CERTIFICATIONS



### SYSTEM WARRANTY – 5 YEARS

Eralux will warrant defective drivers, LEDs and boards for 5 years from the date of purchase. This warranty is valid only if the fixture is installed and used as per installation guides and specifications. If a defect is present, Eralux will send drivers and boards at no fee with a thorough replacement instructions along with instructions on the return of the defective parts back to Eralux.

### LUMEN MAINTENANCE – L70 at 50,000 hours

Rated for 70% initial lumen output at 50,000 hours of operation, operated at 25°C ambient temperature; per guidelines published by the Illuminating Engineering Society (IES).

### ORDERING GUIDE

<b>AE-TL-DC</b>		<b>P</b>			
<b>AE-TL-DC</b> ERALUX Dream Chaser Track Head 27 W   2,200 Lm	<b>SP</b> Spotlight 13° <b>NF</b> Narrow Flood 25° <b>FL</b> Flood 34°	<b>P</b> Premium 90 CRI	<b>27</b> 2700K <b>30</b> 3000K <b>35</b> 3500K <b>40</b> 4000K	<b>J1</b> Juno <b>G1</b> Global <b>H1</b> Halo <b>L1</b> Lightolier	<b>BK</b> Black powder coat <b>WH</b> White powder coat <b>SV</b> Silver powder coat
<b>Fixture Family</b>	<b>Distribution</b>	<b>CRI</b>	<b>CCT</b>	<b>Adapter</b>	<b>Finish</b>

### ORDERING GUIDE-ACCESSORIES

Ordered separately

<b>T10016</b> Monopoint Mounting <b>T10017</b> Duopoint Mounting	<b>-BLK</b> Black <b>-WHT</b> White <b>-SLV</b> Silver
<b>Mounting</b>	<b>Finish</b>

### ORDERING GUIDE- TRACK SYSTEM

Track system and components are ordered with the track head if needed.

Refer to the links below for more information

<b>T1</b> ERALUX Track T1 Compatible with Juno system-1 circuit	<b>-2</b> 2ft track <b>-4</b> 4ft track <b>-6</b> 6ft track <b>-8</b> 8ft track <b>-12</b> 12ft track	<b>-BK</b> Black Finish		
<b>T2</b> ERALUX Track T2 Compatible with Juno system-2 circuit	<b>0001</b> Mini I Connector <b>0002</b> T Connector <b>0003</b> L Connector <b>0004</b> X Connector <b>0015</b> End Feed	<b>-WH</b> White Finish		
<b>H1</b> ERALUX Track H1 Compatible with Halo system-1 circuit		<b>-SV</b> Silver Finish		
<b>TRACK SYSTEM</b>	<b>Track System</b>	<b>Finish</b>	<b>PN</b>	<b>QTY</b>

# DREAM CHASER

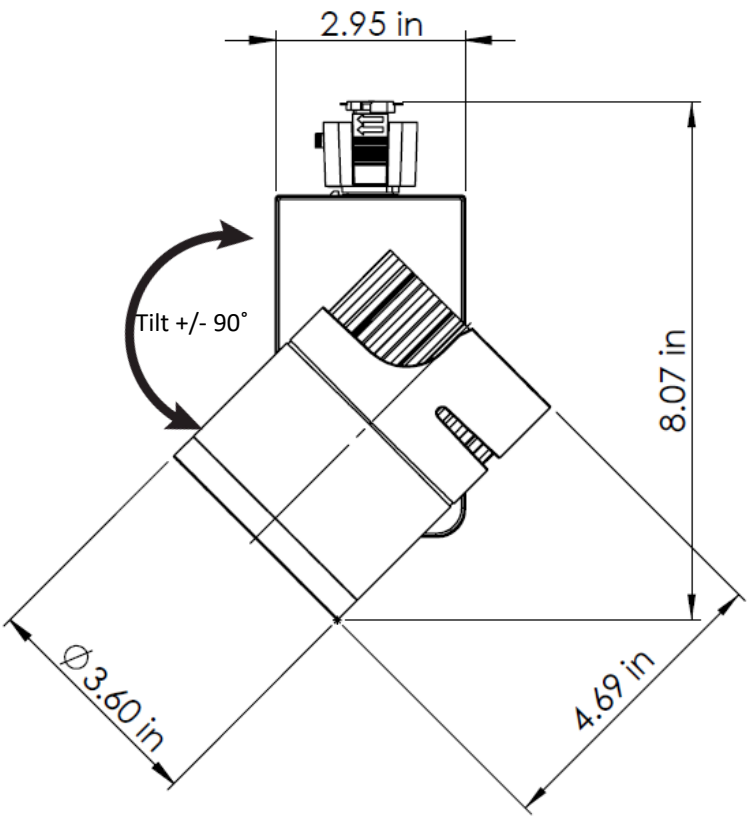
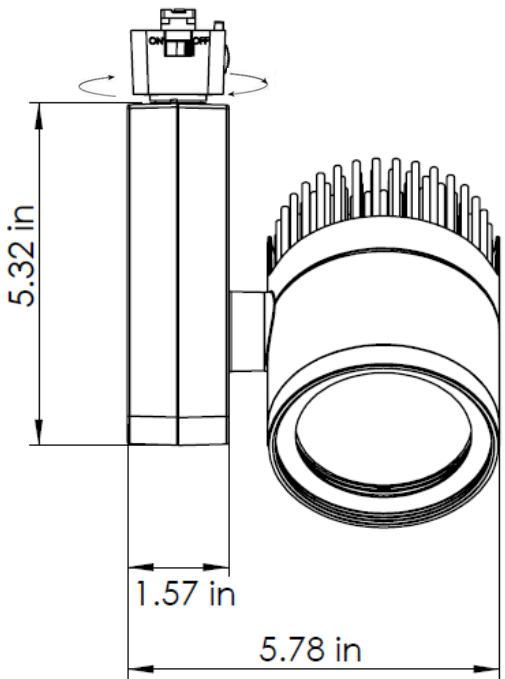
## TRACK LED LIGHT

Cylinder Track Head | 2.7" Aperture | 4.7" Length

### DIMENSIONS

AE-TL-DC

- Rotation up to 355°
- Tilt +/- 90°



### ACCESSORIES

#### MOUNTING

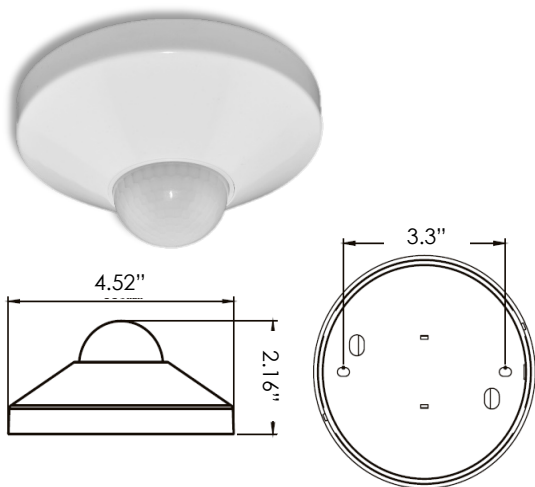
ORDERING CODE		DESCRIPTION	PICTURE
T10016	-WH	Monopoint adapter Surface / wall mount Compatible with Juno system 1 Track head can be installed.	
	-BK		
T10017	-WH	Duopoint adapter Surface / wall mount Compatible with Juno system. 2 Track heads can be installed.	
	-BK		

### ROOM OCCUPANCY SENSOR

Ordered separately, field installed

PART NUMBER	DESCRIPTION
AE-CT-DT806	Detecta - Room Occupancy Sensor
RC102	RC102 Remote Control

SPECIFICATIONS	
<b>Input Voltage</b>	120-277 Vac
<b>Power Frequency</b>	50/60HZ
<b>Rated Load</b>	At 120 Vac   800W
	At 277 Vac   1200W
<b>Detection Range</b>	3-10 Meters
	9.8-32.75 Feet
<b>Standby Power</b>	~0.9W
<b>Time Setting</b>	10 sec to 30 min
<b>Light Control</b>	10-2,000LUX
<b>Installation</b>	Ceiling Mounted



### LUMEN ESTIMATE

Lumen output varies based on CCT and CRI. An estimate of lumen output of the various CCT/CRI combinations, use correction factors as per table below:

#### LUMEN ESTIMATE ADJUSTMENT FACTORS

CCT	2700K	3000K	3500K	4000K
PREMIUM (90CRI)	0.8	0.86	0.93	0.93

### PHOTOMETRIC DATA

PART NUMBER		ZONAL LUMEN SUMMARY			POLAR LUMINOUS INTENSITY	CONE DISTRIBUTION			
AE-TL-DCSPP30XXXX		Zone	Lumens	% Fixture	Direct Light	Center Beam Fc	Beam Width		
Wattage	27W	0-20°	1785.43	76.50		1.7ft	5944 fc	0.4 ft	0.4 ft
CCT	3000K	0-30°	2192.1	93.90		3.3ft	1577 fc	0.8 ft	0.8 ft
Distribution	13°	0-40°	2248.74	96.30		5.0ft	687 fc	1.2 ft	1.2 ft
CBCP	16294	0-60°	2276.76	97.50		6.7ft	383 fc	1.6 ft	1.6 ft
		0-80°	2295.37	98.30		8.3ft	249 fc	1.9 ft	2.0 ft
		0-90°	2302.53	98.60	10.0ft	172 fc	2.3 ft	2.4 ft	

■ Vert. Spread: 13.2°  
■ Horiz. Spread: 13.5°

PART NUMBER		ZONAL LUMEN SUMMARY			POLAR LUMINOUS INTENSITY	CONE DISTRIBUTION			
AE-TL-DCNFP30XXXX		Zone	Lumens	% Fixture	Direct Light	Center Beam Fc	Beam Width		
Wattage	27W	0-20°	1669.64	75.20		1.7ft	3225 fc	0.7 ft	0.7 ft
CCT	3000K	0-30°	2077.45	93.60		3.3ft	856 fc	1.5 ft	1.4 ft
Distribution	25°	0-40°	2133.12	96.10		5.0ft	373 fc	2.2 ft	2.2 ft
CBCP	8696	0-60°	2162.6	97.40		6.7ft	208 fc	3.0 ft	2.9 ft
		0-80°	2179.13	98.20		8.3ft	135 fc	3.7 ft	3.6 ft
		0-90°	2185.8	98.50	10.0ft	93.2 fc	4.4 ft	4.4 ft	

■ Vert. Spread: 24.8°  
■ Horiz. Spread: 24.7°

PART NUMBER		ZONAL LUMEN SUMMARY			POLAR LUMINOUS INTENSITY	CONE DISTRIBUTION			
AE-TL-DCFLP30XXXX		Zone	Lumens	% Fixture	Direct Light	Center Beam Fc	Beam Width		
Wattage	27W	0-20°	1483.61	69.20		1.7ft	2052 fc	1.0 ft	1.1 ft
CCT	3000K	0-30°	1987.08	92.70		3.3ft	545 fc	2.0 ft	2.1 ft
Distribution	34°	0-40°	2059.11	96.10		5.0ft	237 fc	3.1 ft	3.1 ft
CBCP	5561	0-60°	2091.74	97.60		6.7ft	132 fc	4.1 ft	4.2 ft
		0-80°	2105.63	98.20		8.3ft	86.1 fc	5.1 ft	5.2 ft
		0-90°	2111.43	98.50	10.0ft	59.3 fc	6.2 ft	6.2 ft	

■ Vert. Spread: 34.2°  
■ Horiz. Spread: 34.6°

### OVERVIEW



#### Innovative Design

- Die-cast aluminum housing for better heat dissipation.
- Improved heatsink head extends LED and driver lifespan.



#### Multiple Options

- 13°, 25° or 34° beam angle
- Four CCTs available.
- Black, white, and silver finishes.



#### Tests And Certifications



#### Mountings Available

- Choose from any of the popular track systems such as Juno, Halo, Lightolier, or Global.
- Surface mount with either monopoint or duopoint adapters.

