

DUA



LED COMMERCIAL DOWNLIGHT

Recessed Double Head Downlight | 3" & 4"

The DUA is part of the Multi-head series provides the elegance and flexibility of multi-heads that set provides the ultimate lighting environments. The DUA series features two possible pairs of light engines ranging from 20W to 50W for the two heads. Each head is powered independently providing a second failure mode. This fixture also comes standard with 0-10V as well as phase dimming enabling the electrician freedom of choice for controls. Further, the spring mechanisms enables a fast installation

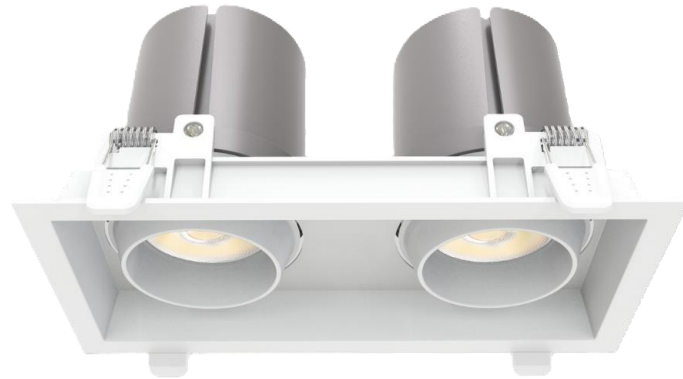
Applications: Art Galleries | Show Rooms | Retail Stores | Hospitality | Office.

| | DATE | QTY | ACC. QTY | TYPE |
|--------------|------|-----|----------|------|
| PROJECT | | | | |
| PN | | | | |
| ACCESSORY PN | | | | |
| NOTES | | | | |

DYNAMIC MENU

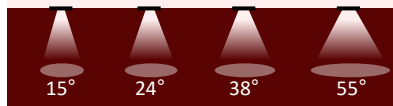
| | |
|-------------------|------------------------|
| Order Information | Page 2 |
| Dimensions | Page 3 |
| Accessories | Page 6 |
| Photometric Data | Page 8 |

[Install Instruction link](#)



SPECIFICATIONS

| | | |
|--------------------------------|--|--------|
| Input Voltage | 120-277V | |
| Power Factor | >0.9 | |
| Total Harmonic Distortion | <20% | |
| Dimming Page 6 | Dual Triac 0-10V dimming (down 10%) | |
| CRI | 90 CRI | |
| CCT | <div style="display: flex; gap: 10px;"> <div style="border: 1px solid black; border-radius: 50%; width: 20px; height: 20px; background-color: #fff9c4; display: flex; align-items: center; justify-content: center;">27K</div> <div style="border: 1px solid black; border-radius: 50%; width: 20px; height: 20px; background-color: #fff176; display: flex; align-items: center; justify-content: center;">30K</div> <div style="border: 1px solid black; border-radius: 50%; width: 20px; height: 20px; background-color: #fff9c4; display: flex; align-items: center; justify-content: center;">35K</div> <div style="border: 1px solid black; border-radius: 50%; width: 20px; height: 20px; background-color: #bbdefb; display: flex; align-items: center; justify-content: center;">40K</div> </div> | |
| Efficacy | ~80 LPW | |
| Size and Power | 3" | 20 30W |
| | 4" | 40 50W |
| Ambient Temperature Range | -10°C to 40°C | |
| Mounting Options | New construction Retrofit Recessed | |
| Trim Finish | <div style="display: flex; gap: 10px;"> <div style="border: 1px solid black; border-radius: 50%; width: 30px; height: 30px; background-color: black;"></div> <div style="border: 1px solid black; border-radius: 50%; width: 30px; height: 30px; background-color: white;"></div> </div> | |
| Trim Shape | <div style="border: 2px solid black; width: 40px; height: 20px; margin: 0 auto;"></div> | |
| Optical Accessories | Honeycomb louver Soft lens | |



PRODUCT FEATURE



PRODUCT CERTIFICATIONS



SYSTEM WARRANTY – 5 YEARS

Eralux will warrant defective drivers, LEDs and boards for 5 years from the date of purchase. This warranty is valid only if the fixture is installed and used as per installation guides and specifications. If a defect is present, Eralux will send drivers and boards at no fee with a thorough replacement instructions along with instructions on the return of the defective parts back to Eralux.

LUMEN MAINTENANCE – L70 at 60,000 hours

Rated for 70% initial lumen output at 50,000 hours of operation, operated at 25°C ambient temperature; per guidelines published by the Illuminating Engineering Society (IES).

LED COMMERCIAL DOWNLIGHT

Recessed Double Head Downlight | 3" & 4"



ORDERING GUIDE

| | | | | | | | |
|--|--|--|--|------------------------|--|---|---|
| AE-DL-DUA | | | | -UV | | -X | |
| AE-DL-DUA ERALUX DUA Recessed downlight MULTI Head | -3¹ 3 Inch -4² 4 Inch | -27 2700K -30 3000K -35 3500K -40 4000K | -15 Narrow Flood 15° -24 Flood 24° -38 Wide Flood 38° -55 Very Wide flood 55° | -UV 120-277V | -20W 3" 2x10W 1600lm -30W 3" 2x15W 2400lm -40W 4" 2x20W 3600lm -50W 4" 2x25W 4400lm | -X Dual Dimming 0-10V & TRIAC | [Blank] White Trim -BKT Black Trim |
| Fixture Family | Size | CCT | Distribution | Input voltage | Power | Dimming | Finish |

- 3 inches DUA is only available with -20W & -30W power
- 4 inches DUA is only available with -40W & -50W power



ORDERING GUIDE – ACCESSORIES | IP

| | | |
|---|--|---|
| | | |
| AE-DL-KN ERALUX DUA Recessed downlight | -3 3 Inch -4 4 Inch | -COMB Honeycomb louder -SOFTLENS |
| 2 are needed for each head | | |
| Fixture Family | SIZE | Accessory |

| |
|--|
| [BLANK] Standard IP20 AE-DL-DUA-IP44-KIT IP44 |
| IP Rating |



ORDERING GUIDE – FRAME KIT | EMBB

| | | | |
|--|------------------------------------|--|-------------------------|
| | | | |
| AE-DL-FRKT ERALUX FRAME KITS Downlights | -DUA DUA Square frame | -03 3 Inch -04 4 inch | -UNV¹ |
| Fixture Family | Shape | SIZE | TYPE |

| |
|--|
| [BLANK] No EMBB BLD-HM8D-YYY 8W emergency battery backup |
| EMBB |

- Junction Box is not included. DUA SERIES comes with a junction box by default.

LED COMMERCIAL DOWNLIGHT

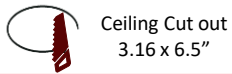
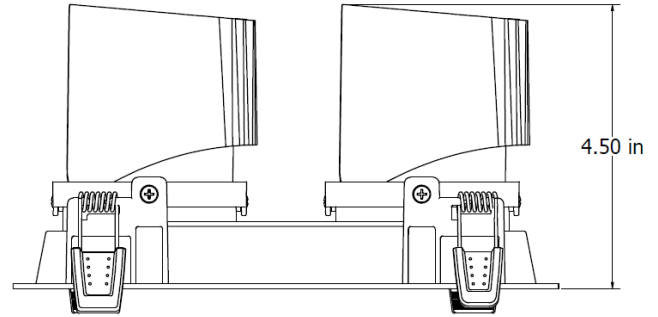
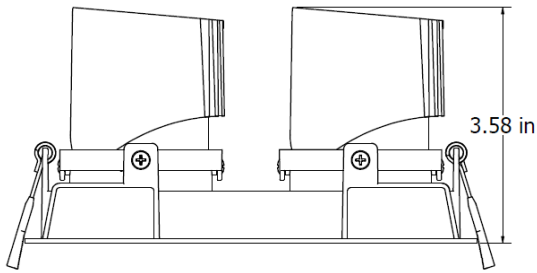
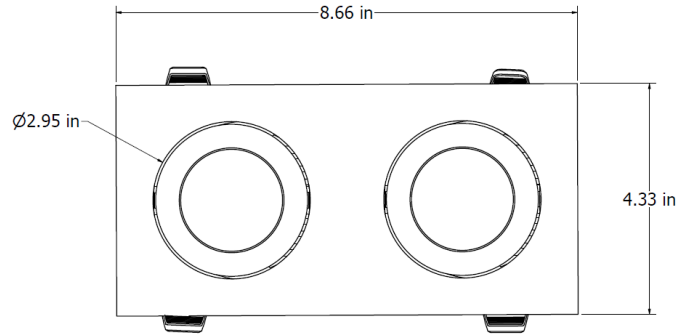
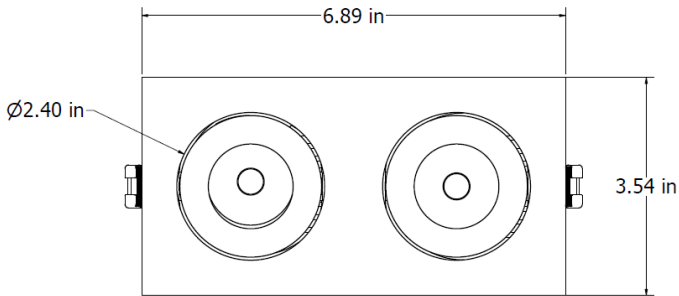
Recessed Double Head Downlight | 3" & 4"

DIMENSIONS

AE-DL-DUA

3 inch

4 inch

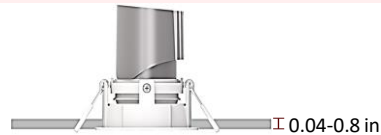


Ceiling Cut out
3.16 x 6.5"

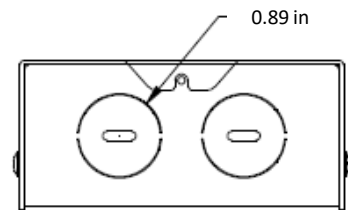
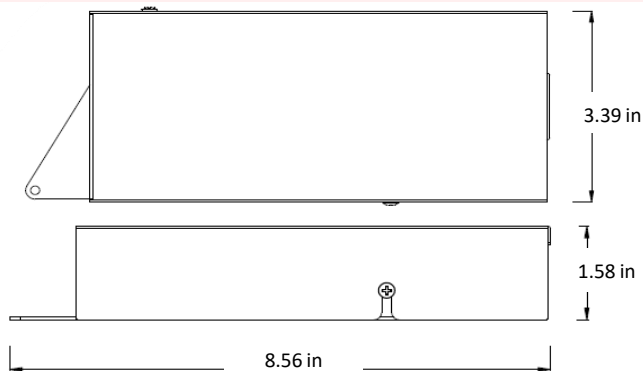


Ceiling Cut out
3.73 x 8.08"

Ceiling Thickness



Driver



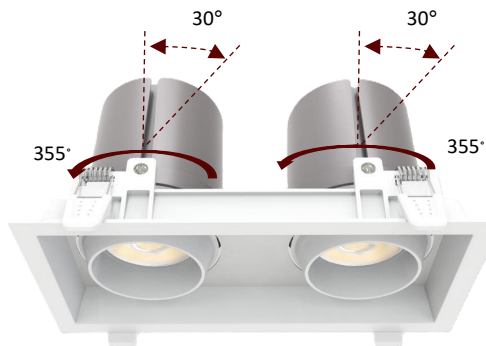
DUA

LED COMMERCIAL DOWNLIGHT

Recessed Double Head Downlight | 3" & 4"

Rotatability

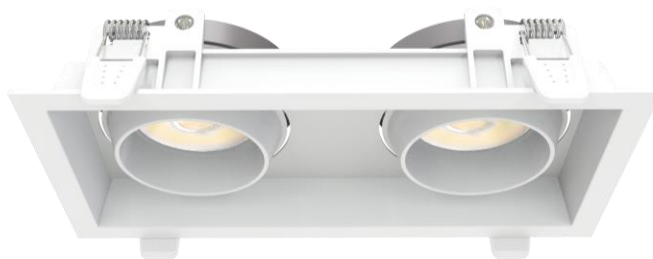
- Rotation up to 355°
- Tilt 30°



TRIM

FINISH

WHITE
(-WHT)



Black
(-BKT)



OPTICAL ACCESSORIES

| ORDERING CODE | DESCRIPTION | LIGHT GLARE | PICTURE |
|--|--|-------------|---------|
| AE-DL-KN-3-COMB AE-DL-KN-4-COMB | Hex louver Reduce the glare of the light source and luminaire 2 are needed for each head | | |
| AE-DL-KN-3-SOFTLENS AE-DL-KN-4-SOFTLENS | Softening Glass lens 2 are needed for each head | | |

LED COMMERCIAL DOWNLIGHT

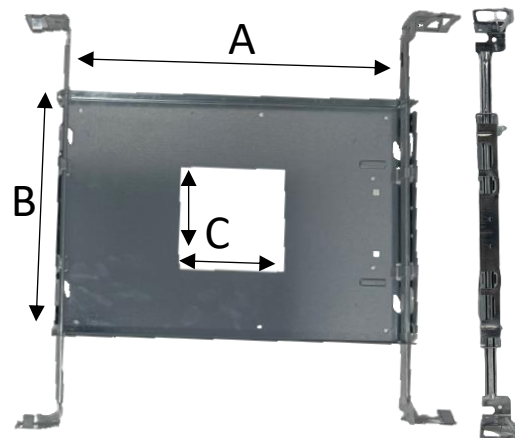
Recessed Double Head Downlight | 3" & 4"

MOUNTING ACCESSORIES

Ordered separately, field installed.

NEW CONSTRUCTION UNIVERSAL FRAME KIT

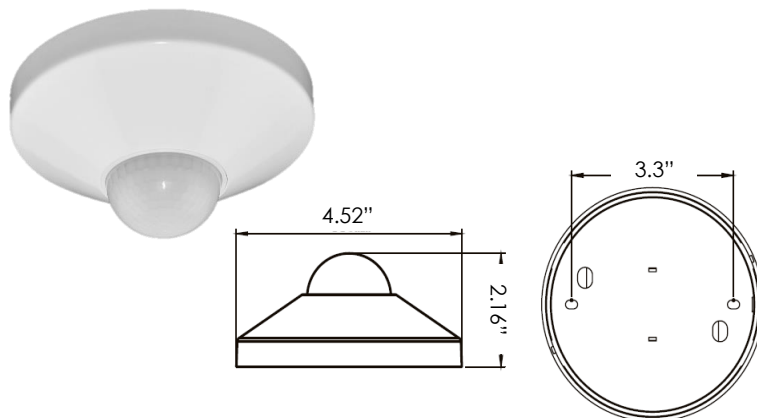
| SPECIFICATIONS | |
|-------------------|---|
| MATERIAL | 22-gauge galvanized steel housing |
| MOUNTING | T-bar or drywall ceilings Up to 1.5" thick |
| LENGTH (A) | 12.75 inch |
| WIDTH (B) | 8.63 inch |



| OPENING SIZE | | | |
|------------------|------|-----------|--------------|
| ORDERING CODE | SIZE | SHAPE | C |
| AE-DL-FRKT-DUA-3 | 3" | Rectangle | 3.15 x 6.50" |
| AE-DL-FRKT-DUA-4 | 4" | Rectangle | 3.74 x 8.07" |

ROOM OCCUPANCY SENSOR

| PART NUMBER | DESCRIPTION |
|-------------|---------------------------------|
| AE-CT-DT806 | Detecta - Room Occupancy Sensor |
| RC102 | RC102 Remote Control |



| SPECIFICATIONS | |
|------------------------|------------------|
| Input Voltage | 120-277 Vac |
| Power Frequency | 50/60HZ |
| Rated Load | At 120 Vac 800W |
| | At 277 Vac 1200W |
| Detection Range | 3-10 Meters |
| | 9.8- 32.8 Feet |
| Standby Power | ~0.9W |
| Time Setting | 10 sec to 30 min |
| Light Control | 10-2,000LUX |
| Installation | Ceiling Mounted |

LED COMMERCIAL DOWNLIGHT

Recessed Double Head Downlight | 3" & 4"

CONTROLS

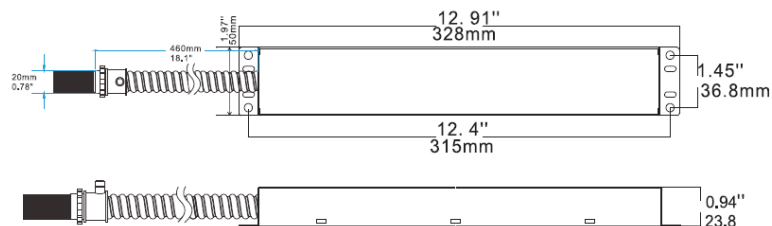
Ordered separately, field installed

EMERGENCY LED DRIVER (BLD-HMXXD-YYY)

BLD-HM8D-YYY



The BLD-HMXXD-YYY series LED Emergency Driver is UL listed for field and factory installations. It switches to emergency mode during power failures, providing up to 90 minutes of lighting. With an integrated battery, charger, and converter, it delivers 6-25W constant power at 170VDC. Ideal for 0-10V dimmable indoor commercial LED fixtures, such as flat panels, troffers, downlights, and linear strip lights.



| SPECIFICATIONS | |
|---------------------|---------------|
| Input Voltage | 100-347 Vac |
| Power Frequency | 50/60HZ |
| Input Power | 8W max |
| Output Voltage | 170V Dc |
| Output Power | 8W |
| Ambient Temperature | 0°C to 50°C |
| | 30°F to 122°F |
| Installation | Remote |

DIMMER COMPATIBILITY LIST

| Brand | Model | Dim Depth To | DIM |
|---------|-----------|--------------|-------|
| LEVITON | IPM10 | OFF | TRIAC |
| | 6674 | OFF | TRIAC |
| | AWSMT-EB | OFF | TRIAC |
| LUTRON | DVCL-153P | 2% | TRIAC |
| | NTLV-603P | 1% | TRIAC |
| | GT-250M | 1% | TRIAC |
| | MACL-153M | 1% | TRIAC |
| | PD-6WCL | 1% | TRIAC |
| | DSL06 | 2% | TRIAC |
| | DV-600P | 1% | TRIAC |
| | RRD-10ND | 2% | TRIAC |
| | NTELV-300 | 1% | ELV |
| | SELV-300P | 1% | ELV |

LED COMMERCIAL DOWNLIGHT

Recessed Double Head Downlight | 3" & 4"

PHOTOMETRIC DATA

| PART NUMBER | | ZONAL LUMEN SUMMARY | | | POLAR LUMINOUS INTENSITY | CONE DISTRIBUTION | | | |
|----------------|-------|---------------------|---------|-----------|--------------------------|--|------------|--------|--------|
| AE-DL-DUA-XXXX | | Zone | Lumens | % Fixture | Direct Light | Center Beam Fc | Beam Width | | |
| Wattage | 50W | 0-20° | 2894.47 | 82.80 | | 1.7ft | 9156 fc | 0.5 ft | 0.5 ft |
| CCT | 3000K | 0-30° | 3300.54 | 94.40 | | 3.3ft | 2430 fc | 1.0 ft | 1.0 ft |
| Distribution | 15° | 0-40° | 3378.77 | 96.70 | | 5.0ft | 1058 fc | 1.5 ft | 1.5 ft |
| SIZE | 4" | 0-60° | 3400.78 | 97.30 | | 6.7ft | 589 fc | 2.0 ft | 2.0 ft |
| | | 0-80° | 3405.15 | 97.40 | | 8.3ft | 384 fc | 2.4 ft | 2.4 ft |
| | | 0-90° | 3406.02 | 97.70 | 10.0ft | 265 fc | 2.9 ft | 2.9 ft | |
| | | | | | | ■ Vert. Spread: 16.7° ■ Horiz. Spread: 16.7° | | | |

| PART NUMBER | | ZONAL LUMEN SUMMARY | | | POLAR LUMINOUS INTENSITY | CONE DISTRIBUTION | | | |
|----------------|-------|---------------------|---------|-----------|--------------------------|--|------------|--------|--------|
| AE-DL-DUA-XXXX | | Zone | Lumens | % Fixture | Direct Light | Center Beam Fc | Beam Width | | |
| Wattage | 50W | 0-20° | 2894.47 | 82.80 | | 1.7ft | 7626 fc | 0.7 ft | 0.7 ft |
| CCT | 3000K | 0-30° | 3300.54 | 94.40 | | 3.3ft | 2024 fc | 1.3 ft | 1.3 ft |
| Distribution | 24° | 0-40° | 3378.77 | 96.70 | | 5.0ft | 882 fc | 2.0 ft | 2.0 ft |
| SIZE | 4" | 0-60° | 3400.78 | 97.30 | | 6.7ft | 491 fc | 2.7 ft | 2.7 ft |
| | | 0-80° | 3405.15 | 97.40 | | 8.3ft | 320 fc | 3.4 ft | 3.4 ft |
| | | 0-90° | 3406.02 | 97.70 | 10.0ft | 220 fc | 4.0 ft | 4.1 ft | |
| | | | | | | ■ Vert. Spread: 22.8° ■ Horiz. Spread: 23.1° | | | |

| PART NUMBER | | ZONAL LUMEN SUMMARY | | | POLAR LUMINOUS INTENSITY | CONE DISTRIBUTION | | | |
|----------------|-------|---------------------|---------|-----------|--------------------------|--|------------|--------|--------|
| AE-DL-DUA-XXXX | | Zone | Lumens | % Fixture | Direct Light | Center Beam Fc | Beam Width | | |
| Wattage | 50W | 0-20° | 2725.03 | 71.60 | | 1.7ft | 3862 fc | 1.0 ft | 1.0 ft |
| CCT | 3000K | 0-30° | 3586.64 | 94.30 | | 3.3ft | 1025 fc | 2.0 ft | 2.0 ft |
| Distribution | 38° | 0-40° | 3683.78 | 96.80 | | 5.0ft | 446 fc | 3.0 ft | 3.0 ft |
| SIZE | 4" | 0-60° | 3705.66 | 97.40 | | 6.7ft | 249 fc | 4.1 ft | 4.0 ft |
| | | 0-80° | 3709.01 | 97.50 | | 8.3ft | 162 fc | 5.0 ft | 5.0 ft |
| | | 0-90° | 3709.84 | 97.50 | 10.0ft | 112 fc | 6.1 ft | 6.0 ft | |
| | | | | | | ■ Vert. Spread: 33.7° ■ Horiz. Spread: 33.5° | | | |

| PART NUMBER | | ZONAL LUMEN SUMMARY | | | POLAR LUMINOUS INTENSITY | CONE DISTRIBUTION | | | |
|----------------|-------|---------------------|---------|-----------|--------------------------|--|------------|--------|--------|
| AE-DL-DUA-XXXX | | Zone | Lumens | % Fixture | Direct Light | Center Beam Fc | Beam Width | | |
| Wattage | 50W | 0-20° | 1872.95 | 48.80 | | 1.7ft | 2122 fc | 1.5 ft | 1.5 ft |
| CCT | 3000K | 0-30° | 3150.8 | 82.10 | | 3.3ft | 563 fc | 2.9 ft | 2.8 ft |
| Distribution | 55° | 0-40° | 3678.19 | 95.80 | | 5.0ft | 245 fc | 4.4 ft | 4.3 ft |
| SIZE | 4" | 0-60° | 3737.8 | 97.40 | | 6.7ft | 137 fc | 5.9 ft | 5.8 ft |
| | | 0-80° | 3742.03 | 97.50 | | 8.3ft | 89 fc | 7.3 ft | 7.2 ft |
| | | 0-90° | 3742.84 | 97.50 | 10.0ft | 61.3 fc | 8.8 ft | 8.6 ft | |
| | | | | | | ■ Vert. Spread: 47.7° ■ Horiz. Spread: 46.6° | | | |

LED COMMERCIAL DOWNLIGHT

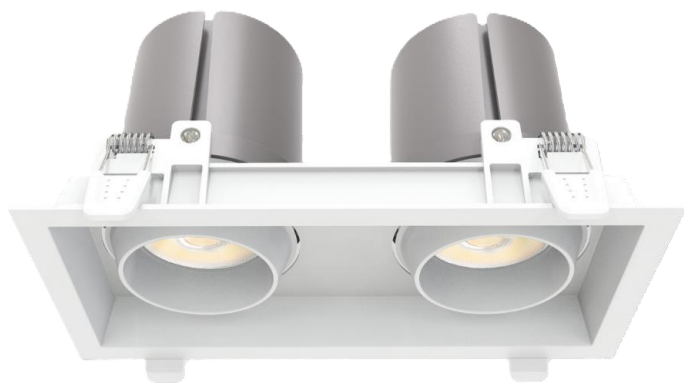
Recessed Double Head Downlight | 3" & 4"

OVERVIEW



Innovative Design

- Brushed metal housing.
- Improved design extends LED and driver lifespan.
- Stainless steel spring-action clips



Multiple Options

- powers 20W,30W,40W,50W
- Available in 3" or 4"
- CCT available 2700K, 3000K, 3500K and 4000K
- Four distributions (15°, 24°, 38°, 55°)



Accessories

- Hex louvers and soft lens.
- New construction frame kit.
- Emergency back up battery.



Tests And Certifications



Optional

Emergency backup battery

