

LED COMMERCIAL DOWNLIGHT

Recessed Double Head Downlight | 3", 4", & 5"

The DUA is part of the Multi-head series provides the elegance and flexibility of multi-heads that set provides the ultimate lighting environments. The DUA series features two possible pairs of light engines ranging from 20W to 70W for the two heads. Each head is powered independently providing a second failure mode. This fixture also comes standard with 0-10V as well as phase dimming enabling the electrician freedom of choice for controls. Further, the spring mechanisms enables a fast installation

Applications: Art Galleries | Show Rooms | Retail Stores | Hospitality | Office.

	DATE	QTY	ACC. QTY	TYPE
PROJECT				
PN				
ACCESSORY PN				
NOTES				

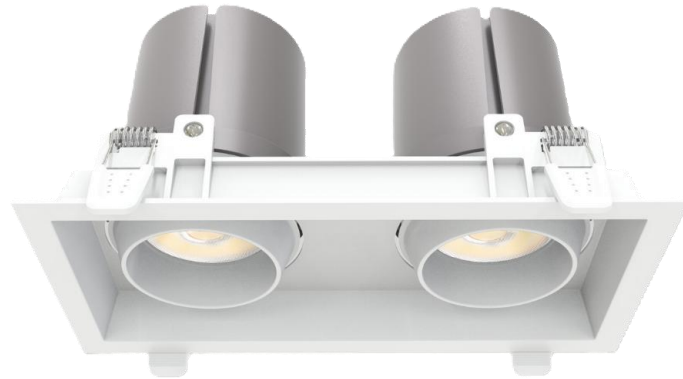
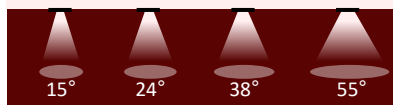
DYNAMIC MENU

Order Information	Page 2
Dimensions	Page 3
Accessories	Page 4
Photometric Data	Page 7

[Install Instruction link](#)

SPECIFICATIONS

Input Voltage	120-277V	
Power Factor	>0.9	
Total Harmonic Distortion	<20%	
Dimming <small>Page 6</small>	Dual Triac 0-10V dimming (down 10%)	
CRI	90 CRI	
CCT	<div style="display: flex; gap: 10px;"> <div style="border: 1px solid black; border-radius: 50%; width: 20px; height: 20px; background-color: #fff9c4; display: flex; align-items: center; justify-content: center;">27K</div> <div style="border: 1px solid black; border-radius: 50%; width: 20px; height: 20px; background-color: #fff176; display: flex; align-items: center; justify-content: center;">30K</div> <div style="border: 1px solid black; border-radius: 50%; width: 20px; height: 20px; background-color: #fff9c4; display: flex; align-items: center; justify-content: center;">35K</div> <div style="border: 1px solid black; border-radius: 50%; width: 20px; height: 20px; background-color: #bbdefb; display: flex; align-items: center; justify-content: center;">40K</div> </div>	
Efficacy	~80 LPW	
Size and Power	3"	20 30W
	4"	40 50W
	5"	60 70W
Ambient Temperature Range	-10°C to 40°C	
Mounting Options	New construction Retrofit Recessed	
Trim Finish	<div style="display: flex; gap: 10px;"> <div style="border: 1px solid black; border-radius: 50%; width: 20px; height: 20px; background-color: black;"></div> <div style="border: 1px solid black; border-radius: 50%; width: 20px; height: 20px; background-color: white;"></div> </div>	
Trim Shape	<div style="border: 2px solid black; width: 20px; height: 10px; margin: 0 auto;"></div>	
Optical Accessories	Honeycomb louver Soft lens	



PRODUCT FEATURE



PRODUCT CERTIFICATIONS



SYSTEM WARRANTY – 5 YEARS

Eralux will warrant defective drivers, LEDs and boards for 5 years from the date of purchase. This warranty is valid only if the fixture is installed and used as per installation guides and specifications. If a defect is present, Eralux will send drivers and boards at no fee with a thorough replacement instructions along with instructions on the return of the defective parts back to Eralux.

LUMEN MAINTENANCE – L70 at 60,000 hours

Rated for 70% initial lumen output at 50,000 hours of operation, operated at 25°C ambient temperature; per guidelines published by the Illuminating Engineering Society (IES).

LED COMMERCIAL DOWNLIGHT

Recessed Double Head Downlight | 3", 4", & 5"



ORDERING GUIDE

AE-DL-DUA				-UV		-X	
AE-DL-DUA ERALUX DUA Recessed downlight MULTI Head	-3¹ 3 Inch	-27 2700K	-15 Narrow Flood 15°	-UV 120-277V	-20W 3" 2x10W 1600lm	-X Dual Dimming 0-10V & TRIAC	[Blank] White Trim -BKT Black Trim
	-4² 4 Inch	-30 3000K	-24 Flood 24°		-30W 3" 2x15W 2400lm		
	-5³ 5 Inch	-35 3500K	-38 Wide Flood 38°		-40W 4" 2x20W 3600lm		
		-40 4000K	-55 Very Wide flood 55°		-50W 4" 2x25W 4400lm		
					-60W 5" 2x30W 4800lm		
					-70W 5" 2x35W 5600lm		

Fixture Family	Size	CCT	Distribution	Input voltage	Power	Dimming	Finish
----------------	------	-----	--------------	---------------	-------	---------	--------

- 3 inches DUA is only available with -20W & -30W power
- 4 inches DUA is only available with -40W & -50W power
- 5 inches DUA is only available with -60W & -70W power



ORDERING GUIDE – ACCESSORIES | IP

AE-DL-KN ERALUX DUA Recessed downlight	-3 3 Inch	-COMB Honeycomb louder
2 are needed for each head	-4 4 Inch	-SOFTLENS
	-5 5 Inch	

[BLANK] Standard IP20 AE-DL-DUA-IP44-KIT IP44
--

Fixture Family	SIZE	Accessory
----------------	------	-----------

IP Rating



ORDERING GUIDE – FRAME KIT | EMBB

AE-DL-FRKT ERALUX FRAME KITS Downlights	-DUA DUA Square frame	-03 3 Inch	-UNV¹
		-04 4 Inch	
		-05 5 Inch	

[BLANK] No EMBB BLD-HM8D-YYY 8W emergency battery backup
--

Fixture Family	Shape	SIZE	TYPE
----------------	-------	------	------

EMBB

1. Junction Box is not included. DUA SERIES comes with a junction box by default.

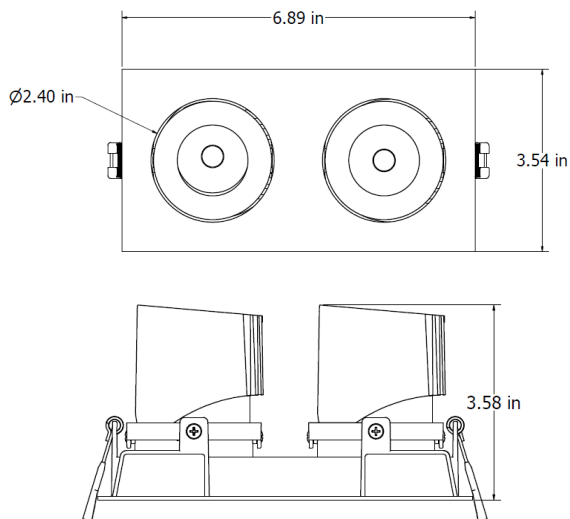
LED COMMERCIAL DOWNLIGHT

Recessed Double Head Downlight | 3", 4", & 5"

DIMENSIONS

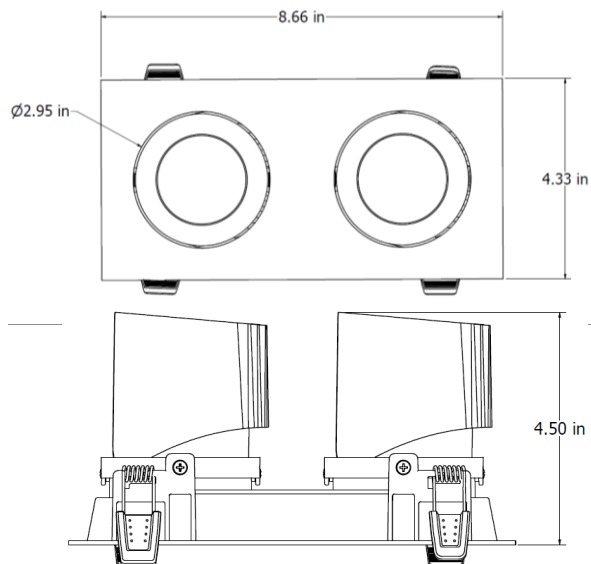
AE-DL-DUA

3 inch



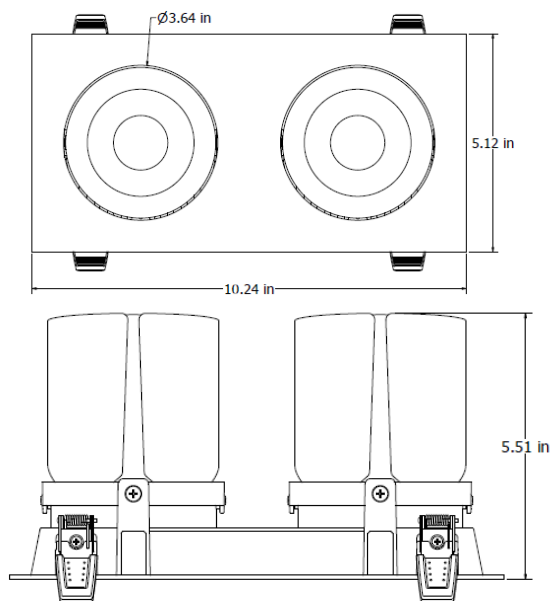
Ceiling Cut out : 3.16 x 6.5"

4 inch



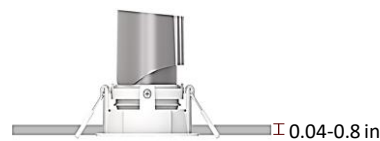
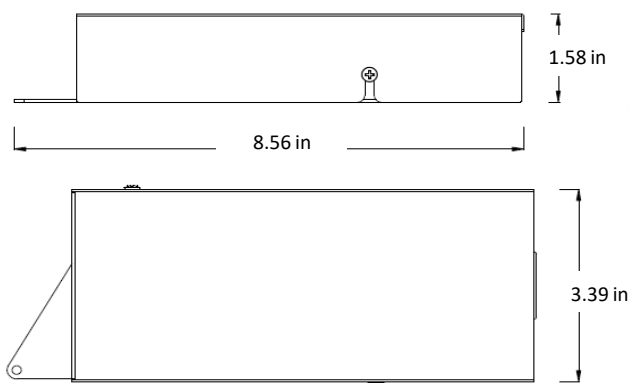
Ceiling Cut out : 3.73 x 8.08"

5 inch



Ceiling Cut out : 4.5 x 9.5"

Junction Box



Ceiling Thickness

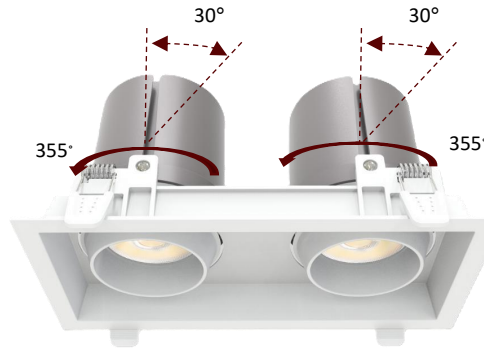
DUA

LED COMMERCIAL DOWNLIGHT

Recessed Double Head Downlight | 3", 4", & 5"

Rotatability

- Rotation up to 355°
- Tilt 30°



TRIM

FINISH

WHITE
(-WHT)



Black
(-BKT)



OPTICAL ACCESSORIES

ORDERING CODE	DESCRIPTION	LIGHT GLARE	PICTURE
AE-DL-KN-3-COMB AE-DL-KN-4-COMB AE-DL-KN-5-COMB	Hex louver Reduce the glare of the light source and luminaire 2 are needed for each fixture		
AE-DL-KN-3-SOFTLENS AE-DL-KN-4-SOFTLENS AE-DL-KN-5-SOFTLENS	Softening Glass lens 2 are needed for each fixture		

LED COMMERCIAL DOWNLIGHT

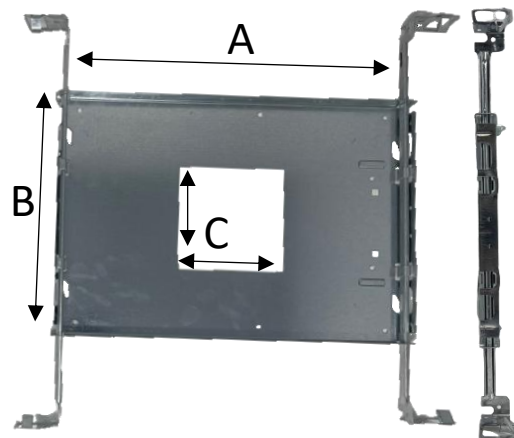
Recessed Double Head Downlight | 3", 4", & 5"

MOUNTING ACCESSORIES

Ordered separately, field installed.

NEW CONSTRUCTION UNIVERSAL FRAME KIT

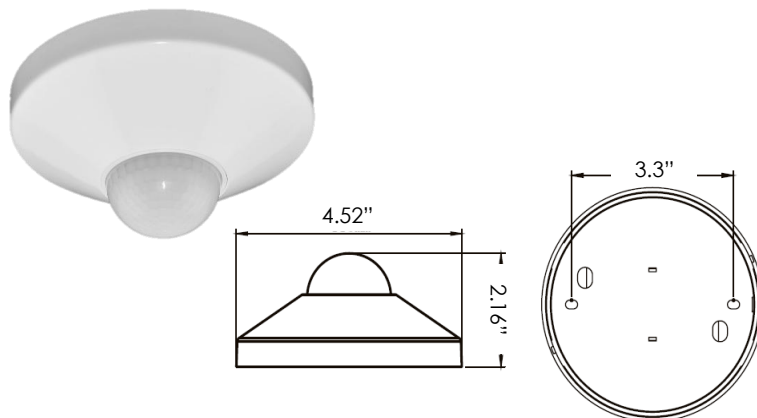
SPECIFICATIONS	
MATERIAL	22-gauge galvanized steel housing
MOUNTING	T-bar or drywall ceilings Up to 1.5" thick
LENGTH (A)	12.75 inch
WIDTH (B)	8.63 inch



OPENING SIZE			
ORDERING CODE	SIZE	SHAPE	C
AE-DL-FRKT-DUA-3	3"	Rectangle	3.15 x 6.50"
AE-DL-FRKT-DUA-4	4"	Rectangle	3.74 x 8.07"
AE-DL-FRKT-DUA-5	5"	Rectangle	5.15x10.24"

ROOM OCCUPANCY SENSOR

PART NUMBER	DESCRIPTION
AE-CT-DT806	Detecta - Room Occupancy Sensor
RC102	RC102 Remote Control



SPECIFICATIONS	
Input Voltage	120-277 Vac
Power Frequency	50/60HZ
Rated Load	At 120 Vac 800W
	At 277 Vac 1200W
Detection Range	3-10 Meters
	9.8- 32.8 Feet
Standby Power	~0.9W
Time Setting	10 sec to 30 min
Light Control	10-2,000LUX
Installation	Ceiling Mounted

LED COMMERCIAL DOWNLIGHT

Recessed Double Head Downlight | 3", 4", & 5"

CONTROLS

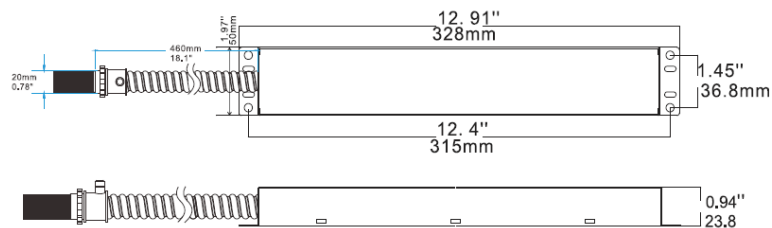
Ordered separately, field installed

EMERGENCY LED DRIVER (BLD-HMXXD-YYY)

BLD-HM8D-YYY



The BLD-HMXXD-YYY series LED Emergency Driver is UL listed for field and factory installations. It switches to emergency mode during power failures, providing up to 90 minutes of lighting. With an integrated battery, charger, and converter, it delivers 6-25W constant power at 170VDC. Ideal for 0-10V dimmable indoor commercial LED fixtures, such as flat panels, troffers, downlights, and linear strip lights.



SPECIFICATIONS	
Input Voltage	100-347 Vac
Power Frequency	50/60HZ
Input Power	8W max
Output Voltage	170V Dc
Output Power	8W
Ambient Temperature	0°C to 50°C
	30°F to 122°F
Installation	Remote

DIMMER COMPATIBILITY LIST

Brand	Model	Dim Depth To	DIM
LEVITON	IPM10	OFF	TRIAC
	6674	OFF	TRIAC
	AWSMT-EB	OFF	TRIAC
LUTRON	DVCL-153P	2%	TRIAC
	NTLV-603P	1%	TRIAC
	GT-250M	1%	TRIAC
	MACL-153M	1%	TRIAC
	PD-6WCL	1%	TRIAC
	DSL06	2%	TRIAC
	DV-600P	1%	TRIAC
	RRD-10ND	2%	TRIAC
	NTELV-300	1%	ELV
	SELV-300P	1%	ELV

LED COMMERCIAL DOWNLIGHT

Recessed Double Head Downlight | 3", 4", & 5"

PHOTOMETRIC DATA

PART NUMBER		ZONAL LUMEN SUMMARY			POLAR LUMINOUS INTENSITY	CONE DISTRIBUTION		
AE-DL-DUA-XXXX		Zone	Lumens	% Fixture	Direct Light	Center Beam Fc	Beam Width	
Wattage	20W	0-20°	1254.69	78.2		1.7ft	2810 fc	0.6 ft 0.6 ft
CCT	3000K	0-30°	1503.45	93.6		3.3ft	746 fc	1.2 ft 1.2 ft
Distribution	15°	0-40°	1551.09	96.6		5.0ft	325 fc	1.9 ft 1.9 ft
SIZE	3"	0-60°	1560.35	97.2		6.7ft	181 fc	2.5 ft 2.5 ft
		0-80°	1563.85	97.4		8.3ft	118 fc	3.1 ft 3.1 ft
		0-90°	1564.27	97.4		10.0ft	81.2 fc	3.7 ft 3.7 ft
						■ Vert. Spread: 21.2° ■ Horiz. Spread: 21.1°		

PART NUMBER		ZONAL LUMEN SUMMARY			POLAR LUMINOUS INTENSITY	CONE DISTRIBUTION		
AE-DL-DUA-XXXX		Zone	Lumens	% Fixture	Direct Light	Center Beam Fc	Beam Width	
Wattage	20W	0-20°	1425.22	77		1.7ft	1986 fc	1.0 ft 1.0 ft
CCT	3000K	0-30°	1753.32	94.7		3.3ft	527 fc	2.0 ft 2.0 ft
Distribution	24°	0-40°	1796.37	97.1		5.0ft	230 fc	3.0 ft 3.0 ft
SIZE	3"	0-60°	1802.53	97.4		6.7ft	128 fc	4.1 ft 4.0 ft
		0-80°	1804.34	97.5		8.3ft	83.3 fc	5.0 ft 5.0 ft
		0-90°	1804.74	97.5		10.0ft	57.4 fc	6.0 ft 6.0 ft
						■ Vert. Spread: 33.6° ■ Horiz. Spread: 33.3°		

PART NUMBER		ZONAL LUMEN SUMMARY			POLAR LUMINOUS INTENSITY	CONE DISTRIBUTION		
AE-DL-DUA-XXXX		Zone	Lumens	% Fixture	Direct Light	Center Beam Fc	Beam Width	
Wattage	20W	0-20°	1278.58	69.8		1.7ft	1550 fc	1.2 ft 1.2 ft
CCT	3000K	0-30°	1721.86	93.9		3.3ft	411 fc	2.3 ft 2.3 ft
Distribution	38°	0-40°	1776.15	96.9		5.0ft	179 fc	3.5 ft 3.5 ft
SIZE	3"	0-60°	1784.34	97.4		6.7ft	99.8 fc	4.8 ft 4.7 ft
		0-80°	1786.56	97.5		8.3ft	65 fc	5.9 ft 5.8 ft
		0-90°	1786.98	97.5		10.0ft	44.8 fc	7.1 ft 7.0 ft
						■ Vert. Spread: 39.1° ■ Horiz. Spread: 38.6°		

PART NUMBER		ZONAL LUMEN SUMMARY			POLAR LUMINOUS INTENSITY	CONE DISTRIBUTION		
AE-DL-DUA-XXXX		Zone	Lumens	% Fixture	Direct Light	Center Beam Fc	Beam Width	
Wattage	20W	0-20°	832.14	47.8		1.7ft	873 fc	1.6 ft 1.6 ft
CCT	3000K	0-30°	1408.14	80.8		3.3ft	232 fc	3.1 ft 3.1 ft
Distribution	55°	0-40°	1654.07	94.9		5.0ft	101 fc	4.8 ft 4.7 ft
SIZE	3"	0-60°	1696.11	97.3		6.7ft	56.2 fc	6.4 ft 6.3 ft
		0-80°	1698.98	97.5		8.3ft	36.6 fc	7.9 ft 7.8 ft
		0-90°	1699.41	97.5		10.0ft	25.2 fc	9.5 ft 9.4 ft
						■ Vert. Spread: 51.0° ■ Horiz. Spread: 50.2°		

LED COMMERCIAL DOWNLIGHT

Recessed Double Head Downlight | 3", 4", & 5"

PHOTOMETRIC DATA

PART NUMBER		ZONAL LUMEN SUMMARY			POLAR LUMINOUS INTENSITY	CONE DISTRIBUTION			
AE-DL-DUA-XXXX		Zone	Lumens	% Fixture	Direct Light	Center Beam Fc	Beam Width		
Wattage	50W	0-20°	2894.47	82.80		1.7ft	9156 fc	0.5 ft	0.5 ft
CCT	3000K	0-30°	3300.54	94.40		3.3ft	2430 fc	1.0 ft	1.0 ft
Distribution	15°	0-40°	3378.77	96.70		5.0ft	1058 fc	1.5 ft	1.5 ft
SIZE	4"	0-60°	3400.78	97.30		6.7ft	589 fc	2.0 ft	2.0 ft
		0-80°	3405.15	97.40		8.3ft	384 fc	2.4 ft	2.4 ft
		0-90°	3406.02	97.70		10.0ft	265 fc	2.9 ft	2.9 ft
						■ Vert. Spread: 16.7° ■ Horiz. Spread: 16.7°			

PART NUMBER		ZONAL LUMEN SUMMARY			POLAR LUMINOUS INTENSITY	CONE DISTRIBUTION			
AE-DL-DUA-XXXX		Zone	Lumens	% Fixture	Direct Light	Center Beam Fc	Beam Width		
Wattage	50W	0-20°	2894.47	82.80		1.7ft	7626 fc	0.7 ft	0.7 ft
CCT	3000K	0-30°	3300.54	94.40		3.3ft	2024 fc	1.3 ft	1.3 ft
Distribution	24°	0-40°	3378.77	96.70		5.0ft	882 fc	2.0 ft	2.0 ft
SIZE	4"	0-60°	3400.78	97.30		6.7ft	491 fc	2.7 ft	2.7 ft
		0-80°	3405.15	97.40		8.3ft	320 fc	3.4 ft	3.4 ft
		0-90°	3406.02	97.70		10.0ft	220 fc	4.0 ft	4.1 ft
						■ Vert. Spread: 22.8° ■ Horiz. Spread: 23.1°			

PART NUMBER		ZONAL LUMEN SUMMARY			POLAR LUMINOUS INTENSITY	CONE DISTRIBUTION			
AE-DL-DUA-XXXX		Zone	Lumens	% Fixture	Direct Light	Center Beam Fc	Beam Width		
Wattage	50W	0-20°	2725.03	71.60		1.7ft	3862 fc	1.0 ft	1.0 ft
CCT	3000K	0-30°	3586.64	94.30		3.3ft	1025 fc	2.0 ft	2.0 ft
Distribution	38°	0-40°	3683.78	96.80		5.0ft	446 fc	3.0 ft	3.0 ft
SIZE	4"	0-60°	3705.66	97.40		6.7ft	249 fc	4.1 ft	4.0 ft
		0-80°	3709.01	97.50		8.3ft	162 fc	5.0 ft	5.0 ft
		0-90°	3709.84	97.50		10.0ft	112 fc	6.1 ft	6.0 ft
						■ Vert. Spread: 33.7° ■ Horiz. Spread: 33.5°			

PART NUMBER		ZONAL LUMEN SUMMARY			POLAR LUMINOUS INTENSITY	CONE DISTRIBUTION			
AE-DL-DUA-XXXX		Zone	Lumens	% Fixture	Direct Light	Center Beam Fc	Beam Width		
Wattage	50W	0-20°	1872.95	48.80		1.7ft	2122 fc	1.5 ft	1.5 ft
CCT	3000K	0-30°	3150.8	82.10		3.3ft	563 fc	2.9 ft	2.8 ft
Distribution	55°	0-40°	3678.19	95.80		5.0ft	245 fc	4.4 ft	4.3 ft
SIZE	4"	0-60°	3737.8	97.40		6.7ft	137 fc	5.9 ft	5.8 ft
		0-80°	3742.03	97.50		8.3ft	89 fc	7.3 ft	7.2 ft
		0-90°	3742.84	97.50		10.0ft	61.3 fc	8.8 ft	8.6 ft
						■ Vert. Spread: 47.7° ■ Horiz. Spread: 46.6°			

LED COMMERCIAL DOWNLIGHT

Recessed Double Head Downlight | 3", 4", & 5"

PHOTOMETRIC DATA

PART NUMBER		ZONAL LUMEN SUMMARY			POLAR LUMINOUS INTENSITY	CONE DISTRIBUTION			
AE-DL-DUA-XXXX		Zone	Lumens	% Fixture	Direct Light	Center Beam Fc	Beam Width		
Wattage	70W	0-20°	4470.48	78.4		1.7ft	12084 fc	0.6 ft	0.6 ft
CCT	3000K	0-30°	5018.95	88		3.3ft	3207 fc	1.1 ft	1.2 ft
Distribution	15°	0-40°	5253.94	92.2		5.0ft	1397 fc	1.7 ft	1.8 ft
SIZE	5"	0-60°	5483.8	96.2		6.7ft	778 fc	2.3 ft	2.4 ft
		0-80°	5555.83	97.5		8.3ft	507 fc	2.8 ft	3.0 ft
		0-90°	5561.57	97.6		10.0ft	349 fc	3.4 ft	3.6 ft
						■ Vert. Spread: 19.3° ■ Horiz. Spread: 20.5°			

PART NUMBER		ZONAL LUMEN SUMMARY			POLAR LUMINOUS INTENSITY	CONE DISTRIBUTION			
AE-DL-DUA-XXXX		Zone	Lumens	% Fixture	Direct Light	Center Beam Fc	Beam Width		
Wattage	70W	0-20°	4710.73	79.6		1.7ft	8529 fc	0.8 ft	0.8 ft
CCT	3000K	0-30°	5328.82	90		3.3ft	2263 fc	1.6 ft	1.6 ft
Distribution	24°	0-40°	5516.08	93.2		5.0ft	986 fc	2.4 ft	2.4 ft
SIZE	5"	0-60°	5704.79	96.4		6.7ft	549 fc	3.2 ft	3.2 ft
		0-80°	5768.89	97.5		8.3ft	358 fc	4.0 ft	4.0 ft
		0-90°	5773.82	97.6		10.0ft	246 fc	4.8 ft	4.8 ft
						■ Vert. Spread: 27.2° ■ Horiz. Spread: 26.9°			

PART NUMBER		ZONAL LUMEN SUMMARY			POLAR LUMINOUS INTENSITY	CONE DISTRIBUTION			
AE-DL-DUA-XXXX		Zone	Lumens	% Fixture	Direct Light	Center Beam Fc	Beam Width		
Wattage	70W	0-20°	3555.8	60.7		1.7ft	3836 fc	1.3 ft	1.3 ft
CCT	3000K	0-30°	5138.86	87.7		3.3ft	1018 fc	2.5 ft	2.5 ft
Distribution	38°	0-40°	5454.3	93.1		5.0ft	443 fc	3.7 ft	3.8 ft
SIZE	5"	0-60°	5654.56	96.5		6.7ft	247 fc	5.0 ft	5.1 ft
		0-80°	5712.67	97.5		8.3ft	161 fc	6.2 ft	6.3 ft
		0-90°	5717.09	97.6		10.0ft	111 fc	7.5 ft	7.6 ft
						■ Vert. Spread: 40.9° ■ Horiz. Spread: 41.7°			

PART NUMBER		ZONAL LUMEN SUMMARY			POLAR LUMINOUS INTENSITY	CONE DISTRIBUTION			
AE-DL-DUA-XXXX		Zone	Lumens	% Fixture	Direct Light	Center Beam Fc	Beam Width		
Wattage	50W	0-20°	2280.58	42.4		1.7ft	2177 fc	1.6 ft	1.5 ft
CCT	3000K	0-30°	3957.58	73.6		3.3ft	578 fc	3.2 ft	2.9 ft
Distribution	55°	0-40°	4744.43	88.2		5.0ft	252 fc	4.8 ft	4.4 ft
SIZE	4"	0-60°	5157.19	95.9		6.7ft	140 fc	6.4 ft	5.9 ft
		0-80°	5245.25	97.5		8.3ft	91.3 fc	8.0 ft	7.3 ft
		0-90°	5251.92	97.6		10.0ft	62.9 fc	9.6 ft	8.8 ft
						■ Vert. Spread: 51.3° ■ Horiz. Spread: 47.6°			

LED COMMERCIAL DOWNLIGHT

Recessed Double Head Downlight | 3", 4", & 5"

OVERVIEW



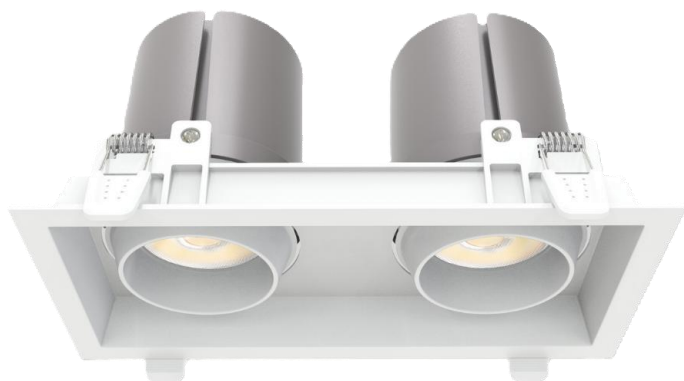
Innovative Design

- Brushed metal housing.
- Improved design extends LED and driver lifespan.
- Stainless steel spring-action clips



Multiple Options

- powers 20W,30W,40W,50W
- Available in 3" or 4"
- CCT available 2700K, 3000K, 3500K and 4000K
- Four distributions (15°, 24°, 38°, 55°)



Accessories

- Hex louvers and soft lens.
- New construction frame kit.
- Emergency back up battery.



Tests And Certifications



Optional

Emergency backup battery

