

ELEGANZA SLIM SERIES



Cylinder LED Light

Architectural Round Cylinder | 2" Aperture | 10", 16" & 25" Height

The Eleganza Slim is a 3-inch cylinder led light, that can be stem, surface or pendant mount. This cylinder is available with multiple distributions, color temperatures, two distinct powers and comes in a variety of finishes. It offers 1200 to 2500 lumens and can be tuned down to 600 lumens. Custom finish is available upon request.

Applications: Art Galleries | Show Rooms | Retail Stores | Hospitality | Education

	DATE	QTY	ACC. QTY	TYPE
PROJECT				
PN				
ACCESSORY PN				
NOTES				



DYNAMIC MENU

Order Information	Page 2
Dimensions	Page 4
Photometric Data	Page 7
Overview	Page 9

[Install Instruction link](#)

SPECIFICATIONS

Input Voltage	120-277V
Power Factor	>0.9
Total Harmonic Distortion	<20%
Dimming Page 4	TRIAC & 0-10V Dimming
CRI	90 CRI
CCT	<div style="display: flex; gap: 10px;"> <div style="border: 1px solid black; border-radius: 50%; width: 20px; height: 20px; background-color: #ffff00; display: flex; align-items: center; justify-content: center;">30K</div> <div style="border: 1px solid black; border-radius: 50%; width: 20px; height: 20px; background-color: #90ee90; display: flex; align-items: center; justify-content: center;">35K</div> <div style="border: 1px solid black; border-radius: 50%; width: 20px; height: 20px; background-color: #add8e6; display: flex; align-items: center; justify-content: center;">40K</div> </div>
Efficacy	~80-85 lm/W ~85-95 lm/W
Power	15W 30W
Ambient Temperature Range	-10°C to 35°C
Application	Indoors only
Mounting Options	Stem Pendant Surface
Fixture Finish	Black White Silver Custom
Distribution	Spot Narrow Flood Wide



PRODUCT FEATURES



Custom Color

PRODUCT CERTIFICATIONS



SYSTEM WARRANTY – 5 YEARS

Eralux will warrant defective drivers, LEDs and boards for 5 years from the date of purchase. This warranty is valid only if the fixture is installed and used as per installation guides and specifications. If a defect is present, Eralux will send drivers and boards at no fee with a thorough replacement instructions along with instructions on the return of the defective parts back to Eralux.

LUMEN MAINTENANCE – L70 at 50,000 hours

Rated for 70% initial lumen output at 50,000 hours of operation, operated at 25°C ambient temperature; per guidelines published by the Illuminating Engineering Society (IES).

Cylinder LED Light

Architectural Round Cylinder | 2" Aperture | 10", 16" & 25" Height

ORDERING GUIDE – ELEGANZA SLIM

AE-TL-EZS-10					
AE-TL-EZS-10 ERALUX ELEGANZA SLIM 10" Height Cylinder	-SF Surface Mount -PC-12 Pendant 12' Aircraft Cable Adjustable 1-12' -SM-01 Stem Mount 1' Stem -SM-02 Stem Mount 2' Stem -SM-03 Stem Mount 3' Stem -SM-04 Stem Mount 4' Stem	-15 15W 1200 lm Programmable down to 7W 600 lm	-P30 3000K -P35 3500K -P40 4000K 90 CRI	SP Spot 15° NF Narrow 25° FL Flood 40° WF Wide 60°	BK Black powder coat WH White powder coat SV Silver powder Coat RALXXXX Custom
Fixture Family	Mounting	Power	CCT	Distribution	Finish

ORDERING GUIDE – ELEGANZA SLIM HO

EZS-30R						-90		
EZS-30R ERALUX ELEGANZA SLIM HO	10 10" Fixture Height 16 16" Fixture Height 25 25" Fixture Height	-SF-00 Surface Mount -PC-12 Pendant 12' Aircraft Cable Adjustable 1-12' -SM-01 Stem Mount 1' Stem -SM-02 Stem Mount 2' Stem -SM-03 Stem Mount 3' Stem -SM-04 Stem Mount 4' Stem	-30 30W 2500 lm Programmable down to 15W 1200 lm	-30 3000K -35 3500K -40 4000K	20 Spot 21° 30 Narrow 27° 40 Flood 37° 55 Wide 58°	-90 90 CRI	BK Black powder coat WH White powder coat SV Silver powder coat RALXXXX Custom	[BLANK] 0-10V Dimming -1DIM 1% Dimming
Fixture Family	Height	Mounting	Power	CCT	Distribution	CRI	Finish	Dimming

NOTE 1. For Custom Eleganza Slim length, contact manufacturer.

ELEGANZA SLIM SERIES

Cylinder LED Light

Architectural Round Cylinder | 2" Aperture | 10", 16" & 25" Height



Custom Color Guide



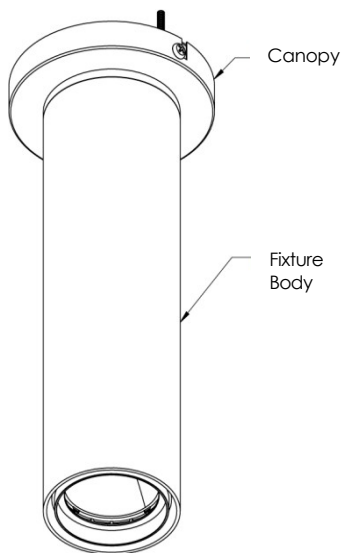
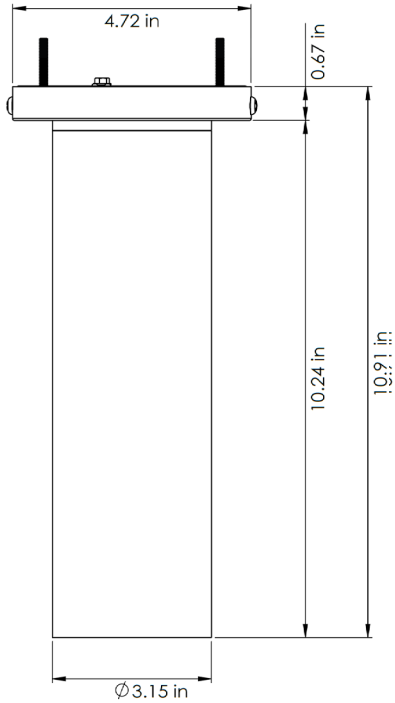
Cylinder LED Light

Architectural Round Cylinder | 2" Aperture | 10", 16" & 25" Height

DIMENSIONS

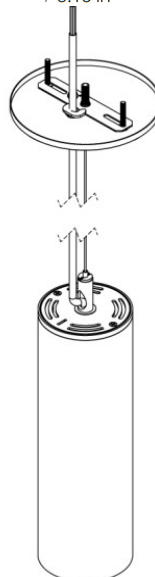
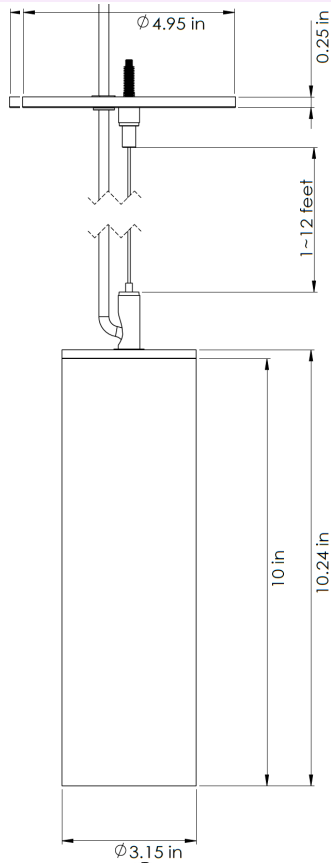
AE-TL-EZS-10

Surface mount



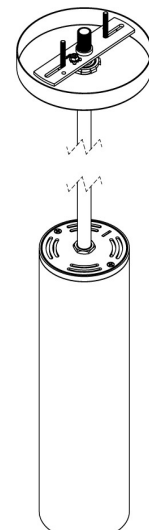
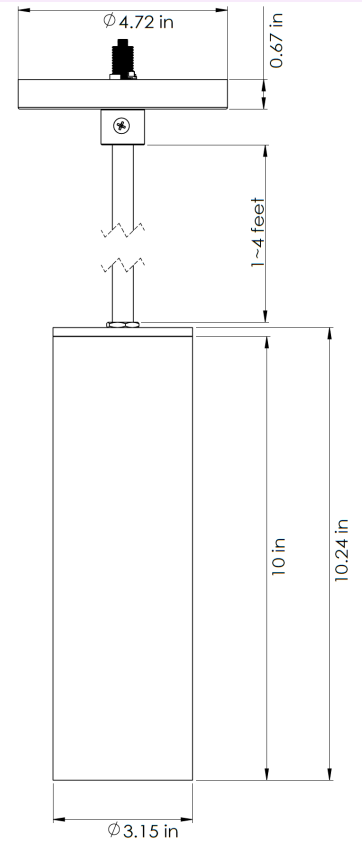
Pendant Cord

Cord: Adjustable length from 1 to 12'



Stem Mount

Stem: 0.5" thickness | 4 sizes; 1', 2', 3' & 4'



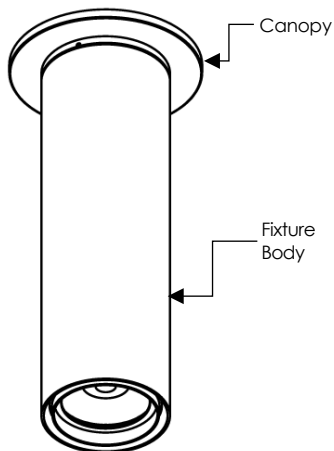
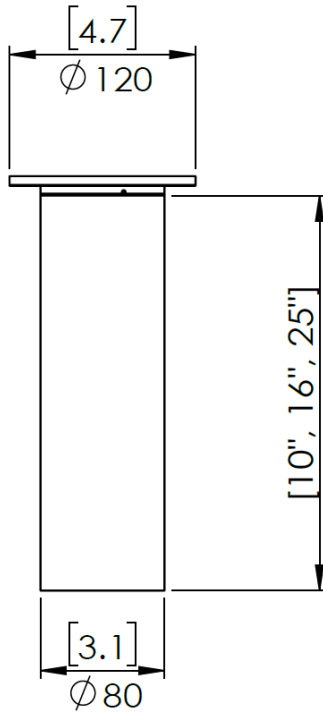
Cylinder LED Light

Architectural Round Cylinder | 2" Aperture | 10", 16" & 25" Height

DIMENSIONS

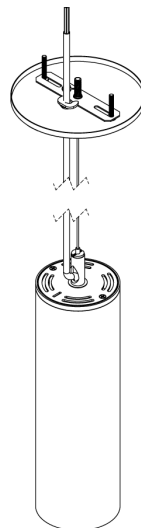
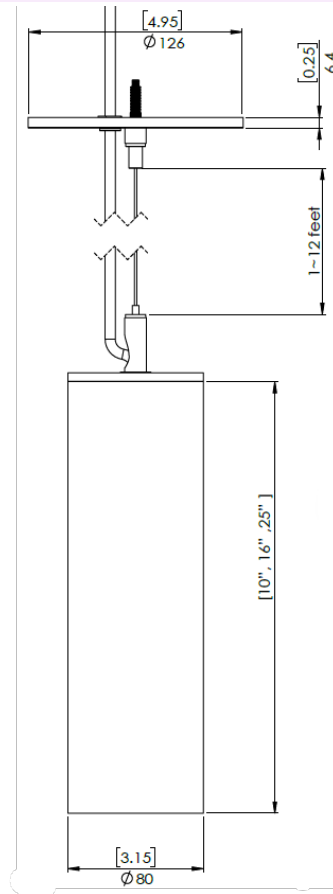
EZS-30R-10/16/25

Surface mount



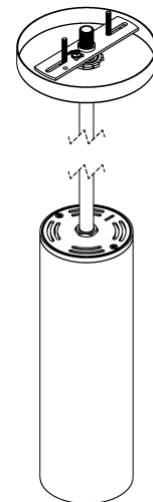
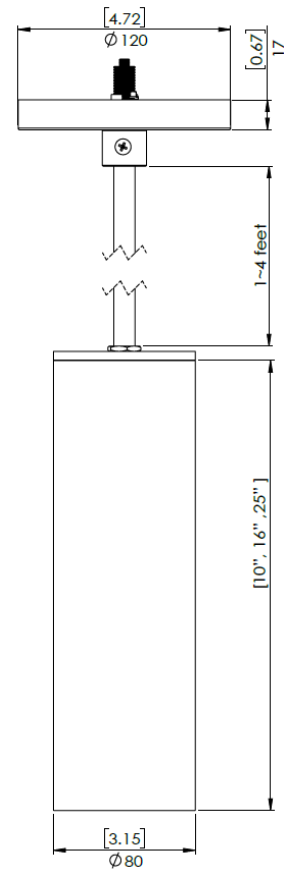
Pendant Cord

Cord: Adjustable length from 1 to 12'



Stem Mount

Stem: 0.5" thickness | 4 sizes; 1', 2', 3' & 4'



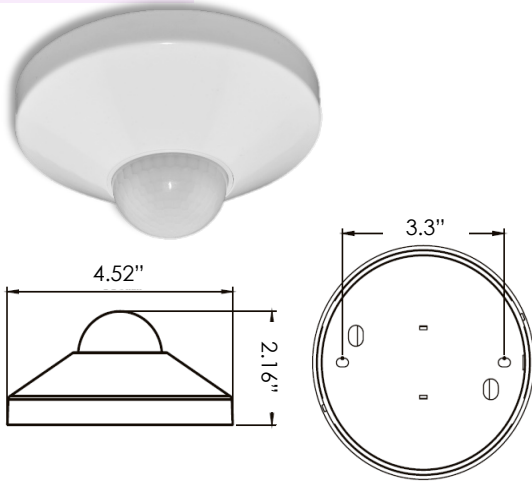
Cylinder LED Light

Architectural Round Cylinder | 2" Aperture | 10", 16" & 25" Height

ROOM OCCUPANCY SENSOR

Ordered separately, field installed

PART NUMBER	DESCRIPTION
AE-CT-DT806	Detecta - Room Occupancy Sensor
RC102	RC102 Remote Control



SPECIFICATIONS		
Input Voltage	120-277 Vac	
Power Frequency	50/60HZ	
Rated Load	At 120 Vac	800W
	At 277 Vac	1200W
Detection Range	3-10 Meters	
	9.8-32.75 Feet	
Standby Power	~0.9W	
Time Setting	10 sec to 30 min	
Light Control	10-2,000LUX	
Installation	Ceiling Mounted	

DIMMER COMPATIBILITY LIST

TRIAC/ELV Dimming

Brand	Model	Brand	Model
LUTRON	SLV-600X	LEVITON	6602-X
	S2-LX		6681-X
	GL-600H		6683-X
	NFTU-5A		6684-X
	DVLV-600P		700-X
COOPER	9530XXX		705-X
LIGHTOLIER	MP600X		6633
ADVANCE	SR150LED120		6674
			IPI06-1LZ

0-10V Dimming

Brand	Model
LUTRON, NOVA SERIES	NFTV
LUTRON, DIVA SERIES	DVTV
LEVITON, ILLUMATECH SERIES	IP710-DL

Cylinder LED Light

Architectural Round Cylinder | 2" Aperture | 10", 16" & 25" Height

LUMEN ESTIMATE

Lumen output varies based on CCT and CRI. An estimate of lumen output of the various CCT/CRI combinations, use correction factors as per table below:

LUMEN ESTIMATE ADJUSTMENT FACTORS

CCT	2700K	3000K	3500K	4000K
90CRI	0.78	0.81	0.84	0.86

PHOTOMETRIC DATA – ELEGANZA SLIM

PART NUMBER		ZONAL LUMEN SUMMARY			POLAR LUMINOUS INTENSITY	CONE DISTRIBUTION			
AE-TL-EZS10-XX-15-P30SP-XX		Zone	Lumens	% Fixture	Direct Light	Center Beam Fc	Beam Width		
Wattage	15W	0-20°	653.67	58.3		1.7ft	1976 fc	0.5 ft	0.5 ft
CCT	3000K	0-30°	897.32	80.1		3.3ft	524 fc	1.0 ft	1.0 ft
Distribution	15°	0-40°	1041.97	93		5.0ft	228 fc	1.5 ft	1.5 ft
		0-60°	1077.04	96.1		6.7ft	127 fc	2.0 ft	2.0 ft
		0-80°	1088.32	97.1		8.3ft	82.9 fc	2.5 ft	2.5 ft
		0-90°	1092.93	97.5	10.0ft	57.1 fc	3.0 ft	3.0 ft	
						■ Vert. Spread: 16.9° ■ Horiz. Spread: 16.8°			

PART NUMBER		ZONAL LUMEN SUMMARY			POLAR LUMINOUS INTENSITY	CONE DISTRIBUTION			
AE-TL-EZS10-XX-15-P30NF-XX		Zone	Lumens	% Fixture	Direct Light	Center Beam Fc	Beam Width		
Wattage	15W	0-20°	612.31	56.9		1.7ft	1208 fc	0.7 ft	0.7 ft
CCT	3000K	0-30°	857.47	79.7		3.3ft	321 fc	1.4 ft	1.4 ft
Distribution	25°	0-40°	999.1	92.9		5.0ft	140 fc	2.2 ft	2.2 ft
		0-60°	1032.37	96		6.7ft	77.8 fc	2.9 ft	2.9 ft
		0-80°	1043.86	97		8.3ft	50.7 fc	3.6 ft	3.6 ft
		0-90°	1048.35	97.4	10.0ft	34.9 fc	4.3 ft	4.3 ft	
						■ Vert. Spread: 24.4° ■ Horiz. Spread: 24.4°			

PART NUMBER		ZONAL LUMEN SUMMARY			POLAR LUMINOUS INTENSITY	CONE DISTRIBUTION			
AE-TL-EZS10-XX-15-P30FL-XX		Zone	Lumens	% Fixture	Direct Light	Center Beam Fc	Beam Width		
Wattage	15W	0-20°	566.46	53		1.7ft	788 fc	1.1 ft	1.1 ft
CCT	3000K	0-30°	854.16	79.9		3.3ft	209 fc	2.0 ft	2.1 ft
Distribution	40°	0-40°	997.24	93.3		5.0ft	91 fc	3.1 ft	3.1 ft
		0-60°	1024.69	95.8		6.7ft	50.7 fc	4.2 ft	4.2 ft
		0-80°	1036.06	96.9		8.3ft	33 fc	5.1 ft	5.2 ft
		0-90°	1040.73	97.3	10.0ft	22.8 fc	6.2 ft	6.2 ft	
						■ Vert. Spread: 34.4° ■ Horiz. Spread: 34.6°			

PART NUMBER		ZONAL LUMEN SUMMARY			POLAR LUMINOUS INTENSITY	CONE DISTRIBUTION			
AE-TL-EZS10-XX-15-P30WF-XX		Zone	Lumens	% Fixture	Direct Light	Center Beam Fc	Beam Width		
Wattage	15W	0-20°	401.6	38.5		1.7ft	431 fc	2.0 ft	2.0 ft
CCT	3000K	0-30°	753.5	72.2		3.3ft	114 fc	3.9 ft	3.9 ft
Distribution	60°	0-40°	961.68	92.2		5.0ft	49.8 fc	5.9 ft	5.8 ft
		0-60°	999.06	95.7		6.7ft	27.7 fc	7.9 ft	7.8 ft
		0-80°	1010.54	96.9		8.3ft	18.1 fc	9.8 ft	9.7 ft
		0-90°	1015.18	97.3	10.0ft	12.5 fc	11.8 ft	11.7 ft	
						■ Vert. Spread: 60.9° ■ Horiz. Spread: 60.6°			

Cylinder LED Light

Architectural Round Cylinder | 2" Aperture | 10", 16" & 25" Height

PHOTOMETRIC DATA – ELEGANZA SLIM HO

PART NUMBER		ZONAL LUMEN SUMMARY		POLAR LUMINOUS INTENSITY	CONE DISTRIBUTION				
EZS-30RXX-XX-30-3520-90-XX		Zone	Lumens	% Fixture	Direct Light	Center Beam Fc	Beam Width		
Wattage	30W	0-20°	2149.71	77.9		2.5ft	2417 fc	0.9 ft	0.9 ft
CCT	3500K	0-30°	2488.45	90.1		5.0ft	604 fc	1.9 ft	1.9 ft
Distribution	21°	0-40°	2603.42	94.3		7.5ft	269 fc	2.8 ft	2.8 ft
		0-60°	2688.52	97.4		10.0ft	151 fc	3.7 ft	3.7 ft
		0-80°	2709.77	98.1		12.5ft	96.7 fc	4.6 ft	4.6 ft
		0-90°	2716.37	98.4		15.0ft	67.1 fc	5.6 ft	5.6 ft
						■ Vert. Spread: 21.0° ■ Horiz. Spread: 21.1°			

PART NUMBER		ZONAL LUMEN SUMMARY		POLAR LUMINOUS INTENSITY	CONE DISTRIBUTION				
EZS-30RXX-XX-30-3530-90-XX		Zone	Lumens	% Fixture	Direct Light	Center Beam Fc	Beam Width		
Wattage	30W	0-20°	2226.16	79.7		2.5ft	1896 fc	1.2 ft	1.2 ft
CCT	3500K	0-30°	2521.43	90.3		5.0ft	474 fc	2.4 ft	2.4 ft
Distribution	27°	0-40°	2631.84	94.2		7.5ft	211 fc	3.6 ft	3.6 ft
		0-60°	2721.18	97.4		10.0ft	118 fc	4.8 ft	4.8 ft
		0-80°	2742.45	98.2		12.5ft	75.8 fc	6.0 ft	6.0 ft
		0-90°	2749.22	98.4		15.0ft	52.7 fc	7.2 ft	7.2 ft
						■ Vert. Spread: 26.9° ■ Horiz. Spread: 27.0°			

PART NUMBER		ZONAL LUMEN SUMMARY		POLAR LUMINOUS INTENSITY	CONE DISTRIBUTION				
EZS-30RXX-XX-30-3540-90-XX		Zone	Lumens	% Fixture	Direct Light	Center Beam Fc	Beam Width		
Wattage	30W	0-20°	1967.8	68.9		2.5ft	1155 fc	1.7 ft	1.7 ft
CCT	3500K	0-30°	2607.34	91.3		5.0ft	289 fc	3.4 ft	3.3 ft
Distribution	37°	0-40°	2705.14	94.8		7.5ft	128 fc	5.0 ft	5.0 ft
		0-60°	2780.09	97.4		10.0ft	72.2 fc	6.7 ft	6.7 ft
		0-80°	2800.27	98.1		12.5ft	46.2 fc	8.4 ft	8.4 ft
		0-90°	2807.32	98.3		15.0ft	32.1 fc	10.1 ft	10.0 ft
						■ Vert. Spread: 37.1° ■ Horiz. Spread: 37.0°			

PART NUMBER		ZONAL LUMEN SUMMARY		POLAR LUMINOUS INTENSITY	CONE DISTRIBUTION				
EZS-30RXX-XX-30-3555-90-XX		Zone	Lumens	% Fixture	Direct Light	Center Beam Fc	Beam Width		
Wattage	30W	0-20°	1080.12	39.2		2.5ft	507 fc	2.7 ft	2.8 ft
CCT	3500K	0-30°	1999.87	72.6		5.0ft	127 fc	5.5 ft	5.6 ft
Distribution	58°	0-40°	2541.15	92.3		7.5ft	56.3 fc	8.2 ft	8.4 ft
		0-60°	2678.27	97.2		10.0ft	31.7 fc	11.0 ft	11.2 ft
		0-80°	2700.21	98		12.5ft	20.3 fc	13.7 ft	14.0 ft
		0-90°	2707.37	98.3		15.0ft	14.1 fc	16.4 ft	16.8 ft
						■ Vert. Spread: 57.5° ■ Horiz. Spread: 58.5°			

Cylinder LED Light

Architectural Round Cylinder | 2" Aperture | 10", 16" & 25" Height

OVERVIEW



Innovative Design

- Aluminum die cast housing for better heat dissipation.
- Improved design extends LED and driver lifespan.



Multiple Options

- 15W & 30W power | 1,200 & 2500 Lumens
- Variety of beam angles.
- Three CCTs and body heights available.
- Black, white, and silver finishes.



Mountings Options

- Surface mount.
- Stem mount; 1', 2', 3', and 4' (0.5" thickness).
- Pendant cord mount; adjustable 1-12' cord.



Feature

- Customized color
- Tunable Power down to 7W | 600 lm upon request



Tests And Certifications

