

ELEGANZA SQUARE

eralux®

Cylinder LED Light

Architectural Cuboid | 2.8" Aperture | 10" Height

The ELEGANZA Square series combines elegance and easy installation, featuring a machined aluminum body with a square profile. It can achieve 82 lumens per watt with power consumption up to 42W, it offers four beam angles. Various mounting options include wall, surface and stem mount.

Applications: Art Galleries | Show Rooms | Retail Stores | Hospitality | Education

	DATE	QTY	ACC. QTY	TYPE
PROJECT				
PN				
ACCESSORY PN				
NOTES				

DYNAMIC MENU

Order Information	Page 2
Dimensions	Page 3
Photometric Data	Page 5
Overview	Page 7

[Install Instruction link](#)

SPECIFICATIONS

Input Voltage	120/277V
Power Factor	>0.9
Total Harmonic Distortion	<20%
Dimming Page 5	TRIAC & 0-10V Dimming (down to 1%)
CRI	90 CRI
CCT	<div style="display: flex; gap: 10px;"> <div style="border: 1px solid black; border-radius: 50%; width: 20px; height: 20px; background-color: #fff9c4; display: flex; align-items: center; justify-content: center;">27K</div> <div style="border: 1px solid black; border-radius: 50%; width: 20px; height: 20px; background-color: #fff9c4; display: flex; align-items: center; justify-content: center;">30K</div> <div style="border: 1px solid black; border-radius: 50%; width: 20px; height: 20px; background-color: #fff9c4; display: flex; align-items: center; justify-content: center;">35K</div> <div style="border: 1px solid black; border-radius: 50%; width: 20px; height: 20px; background-color: #fff9c4; display: flex; align-items: center; justify-content: center;">40K</div> </div>
Efficacy	~82 lm/W
Power	42W
Ambient Temperature Range	10°C to 35°C
Application	Indoors only
Mounting Options	<div style="display: flex; justify-content: space-around; text-align: center;"> <div>Wall</div> <div>Stem</div> <div>Surface</div> </div>
Fixture Finish	Black White
Distribution	Spot Narrow Flood Wide



PRODUCT FEATURES



PRODUCT CERTIFICATIONS



SYSTEM WARRANTY – 5 YEARS

Eralux will warrant defective drivers, LEDs and boards for 5 years from the date of purchase. This warranty is valid only if the fixture is installed and used as per installation guides and specifications. If a defect is present, Eralux will send drivers and boards at no fee with a thorough replacement instructions along with instructions on the return of the defective parts back to Eralux.

LUMEN MAINTENANCE – L70 at 50,000 hours

Rated for 70% initial lumen output at 50,000 hours of operation, operated at 25°C ambient temperature; per guidelines published by the Illuminating Engineering Society (IES).

Cylinder LED Light

Architectural Cuboid | 2.8" Aperture | 10" Height

ORDERING GUIDE

AE-CYL-EZ-42SQ10		-42			-P-T	
AE-CYL-EZ-42SQ10 ERALUX ELEGANZA SQUARE Architectural Cuboid 10" Height	-SF Surface Mount -WM Wall mount -SM-01¹ Stem Mount 1' Stem -SM-02 Stem Mount 2' Stem -SM-03 Stem Mount 3' Stem -SM-04 Stem Mount 4' Stem	-42² 42W 3440 lm At 3500K	-C27 2700K -C30 3000K -C35 3500K -C40 4000K	20 20° 28 28° 35 35° 55 55°	-P-T 90 CRI	-BK Black powder coat -WH White powder coat

Fixture Family	Mounting	Power	CCT	Distribution	CRI	Finish
-----------------------	-----------------	--------------	------------	---------------------	------------	---------------

Notes

1. Stem mount comes with square canopy
2. Programmable driver from 25W - 42W; 2050 – 3440lm.

DIMENSIONS

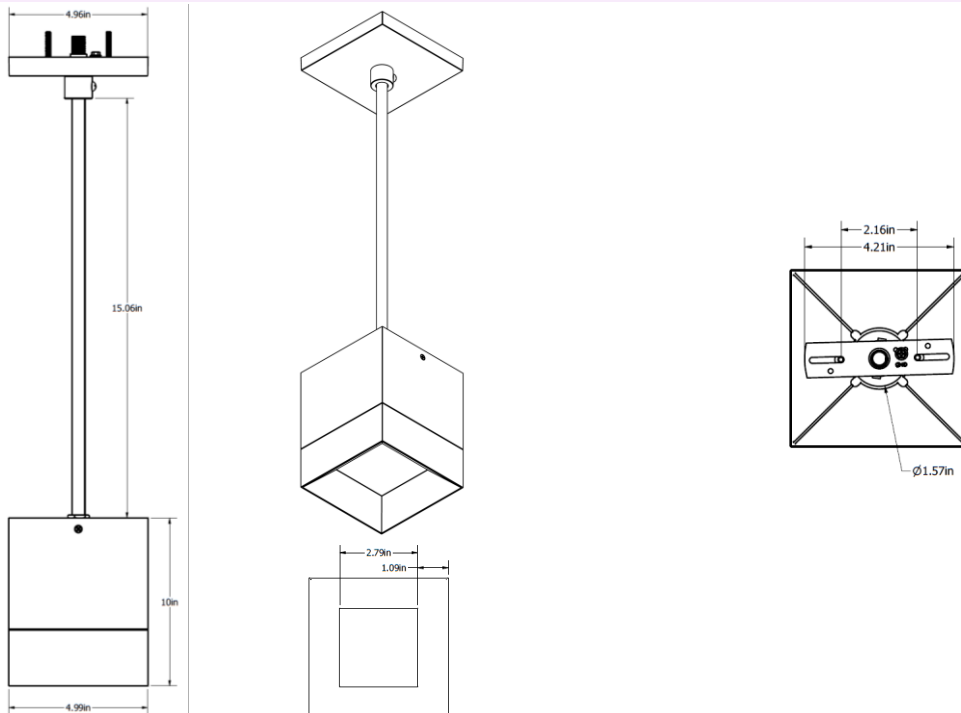
AE-TL-EZ-42SQ10

Stem Mount

Stem: 0.5" thickness | 4 sizes; 1', 2', 3' & 4'



Drill Position



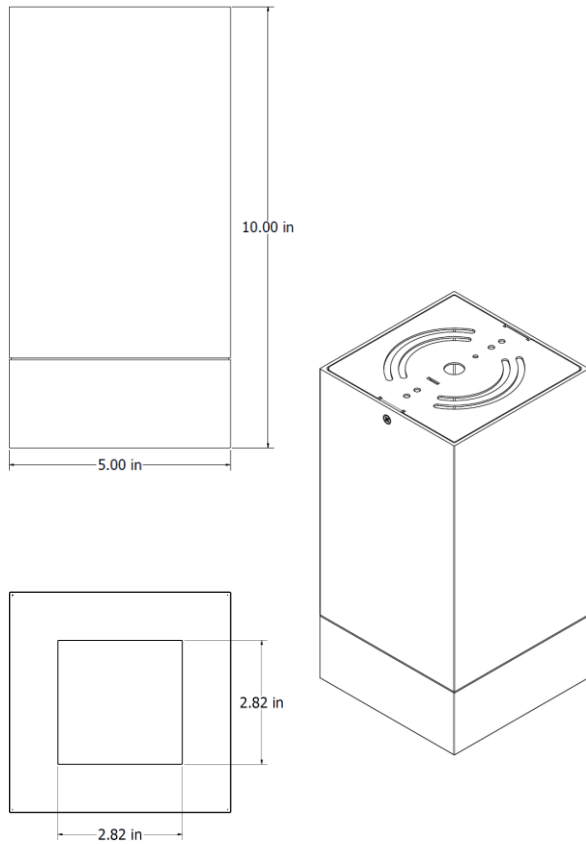
Cylinder LED Light

Architectural Cuboid | 2.8" Aperture | 10" Height

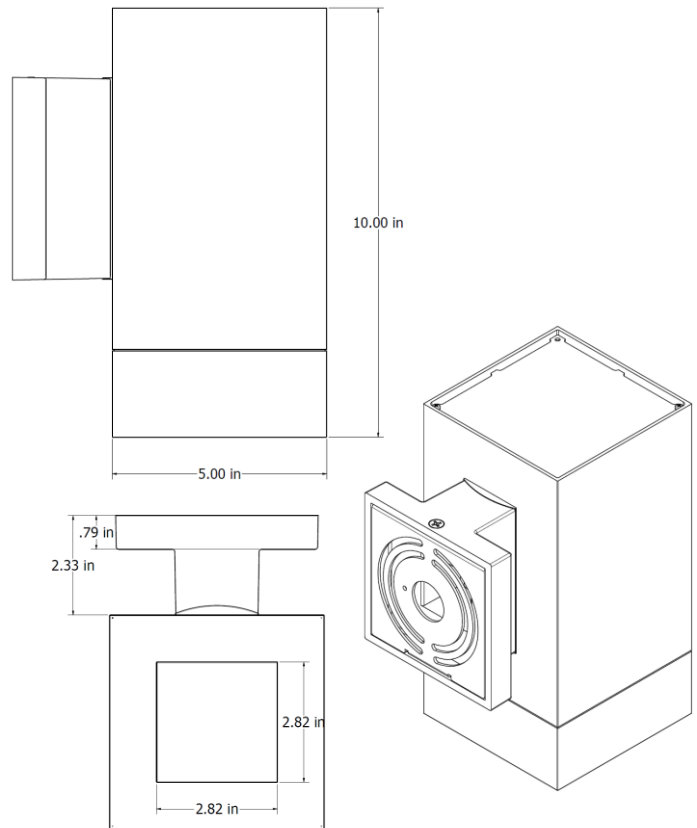
DIMENSIONS

AE-TL-EZ-42SQ10

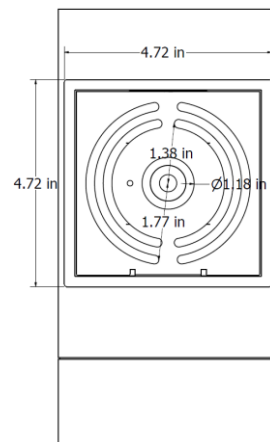
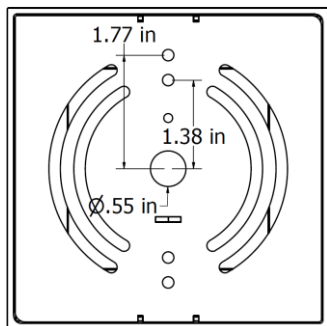
Surface mount



Wall Mount



Drill Position



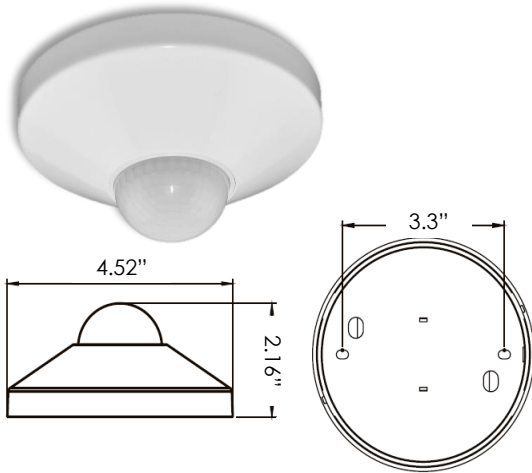
Cylinder LED Light

Architectural Cuboid | 2.8" Aperture | 10" Height

ROOM OCCUPANCY SENSOR

Ordered separately, field installed

PART NUMBER	DESCRIPTION
AE-CT-DT806	Detecta - Room Occupancy Sensor
RC102	RC102 Remote Control



SPECIFICATIONS		
Input Voltage	120-277 Vac	
Power Frequency	50/60HZ	
Rated Load	At 120 Vac	800W
	At 277 Vac	1200W
Detection Range	3-10 Meters	
	9.8-32.75 Feet	
Standby Power	~0.9W	
Time Setting	10 sec to 30 min	
Light Control	10-2,000LUX	
Installation	Ceiling Mounted	

DIMMER COMPATIBILITY LIST

TRIAC/ELV Dimming

Brand	Model	Brand	Model
LUTRON	SLV-600X	LEVITON	6602-X
	S2-LX		6681-X
	GL-600H		6683-X
	NFTU-5A		6684-X
	DVLV-600P		700-X
COOPER	9530XXX		705-X
LIGHTOLIER	MP600X		6633
ADVANCE	SR150LED120		6674
			IPI06-1LZ

0-10V Dimming

Brand	Model
LUTRON, NOVA SERIES	NFTV
LUTRON, DIVA SERIES	DVTV
LEVITON, ILLUMATECH SERIES	IP710-DL

Cylinder LED Light

Architectural Cuboid | 2.8" Aperture | 10" Height

LUMEN ESTIMATE

Lumen output varies based on CCT and CRI. An estimate of lumen output of the various CCT/CRI combinations, use correction factors as per table below:

LUMEN ESTIMATE ADJUSTMENT FACTORS

CCT	2700K	3000K	3500K	4000K
90CRI	0.96	1	1	1.06

PHOTOMETRIC DATA

PART NUMBER		ZONAL LUMEN SUMMARY		POLAR LUMINOUS INTENSITY	CONE DISTRIBUTION			
		Zone	Lumens	% Fixture	Direct Light	Center Beam Fc	Beam Width	
AE-CYL-EZ-42SQ10-XX-42-C3020								
Wattage	42W	0-20°	1092.63	35.9		2.5ft	1984 fc	1.0 ft 1.0 ft
CCT	3000K	0-30°	1986.64	65.3		5.0ft	496 fc	2.0 ft 2.0 ft
Distribution	20°	0-40°	2539.73	83.5		7.5ft	220 fc	3.0 ft 3.0 ft
		0-60°	2916.4	95.9		10.0ft	124 fc	4.0 ft 4.0 ft
		0-80°	2993.48	98.5		12.5ft	79.4 fc	5.0 ft 5.0 ft
		0-90°	3000.14	98.7	15.0ft	55.1 fc	6.0 ft 6.0 ft	
						■ Vert. Spread: 22.5° ■ Horiz. Spread: 22.6°		
AE-CYL-EZ-42SQ10-XX-42-C3028								
Wattage	42W	0-20°	1779.3	55.3		2.5ft	1526 fc	1.2 ft 1.2 ft
CCT	3000K	0-30°	2521.39	78.3		5.0ft	382 fc	2.5 ft 2.5 ft
Distribution	28°	0-40°	2860.14	88.8		7.5ft	170 fc	3.7 ft 3.7 ft
		0-60°	3115.3	96.8		10.0ft	95.4 fc	5.0 ft 5.0 ft
		0-80°	3167	98.4		12.5ft	61 fc	6.2 ft 6.2 ft
		0-90°	3174.21	98.6	15.0ft	42.4 fc	7.4 ft 7.5 ft	
						■ Vert. Spread: 27.9° ■ Horiz. Spread: 28.0°		
AE-CYL-EZ-42SQ10-XX-42-C3035								
Wattage	42W	0-20°	1941.53	61.3		2.5ft	1129 fc	1.6 ft 1.6 ft
CCT	3000K	0-30°	2566.64	81		5.0ft	282 fc	3.1 ft 3.2 ft
Distribution	35°	0-40°	2864.08	90.4		7.5ft	125 fc	4.7 ft 4.7 ft
		0-60°	3075.89	97		10.0ft	70.5 fc	6.3 ft 6.3 ft
		0-80°	3118.63	98.4		12.5ft	45.1 fc	7.8 ft 7.9 ft
		0-90°	3125.57	98.6	15.0ft	31.3 fc	9.4 ft 9.5 ft	
						■ Vert. Spread: 34.8° ■ Horiz. Spread: 35.0°		
AE-CYL-EZ-42SQ10-XX-42-C3055								
Wattage	42W	0-20°	2014.1	64.9		2.5ft	517 fc	2.7 ft 2.7 ft
CCT	3000K	0-30°	2578.65	83		5.0ft	129 fc	5.4 ft 5.4 ft
Distribution	55°	0-40°	2843.44	91.6		7.5ft	57.5 fc	8.1 ft 8.2 ft
		0-60°	3023.32	97.4		10.0ft	32.3 fc	10.7 ft 10.9 ft
		0-80°	3058.55	98.5		12.5ft	20.7 fc	13.4 ft 13.6 ft
		0-90°	3064.81	98.7	15.0ft	14.4 fc	16.1 ft 16.3 ft	
						■ Vert. Spread: 56.5° ■ Horiz. Spread: 57.1°		

Cylinder LED Light

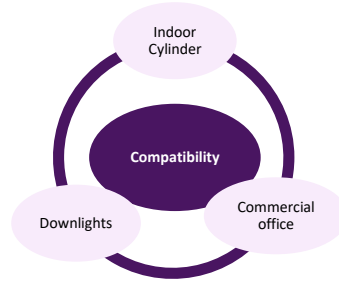
Architectural Cuboid | 2.8" Aperture | 10" Height

Control Solution

Aria Plus - Room Sensor

Refer to Lighting control (Aria) spec sheet for more information

EFS107



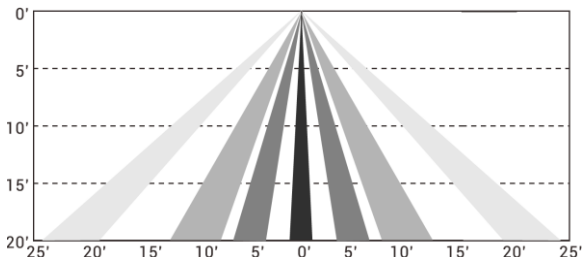
PPA103S



It is a low-voltage, dual-tech ceiling mount room sensor that combines PIR and ultrasonic technologies to provide high accuracy and wide coverage.

Parameters	
Input Voltage	12V
Application	Indoor / Outdoor
Detection Range	50ft Max
Mounting Height	20ft Max
Bluetooth Transmit	200ft Max
Operating Temperature	-30°C to 55°C
IP Rating	IP66
Installation	Ceiling (2.2" cutout)
Detection	PIR DLH

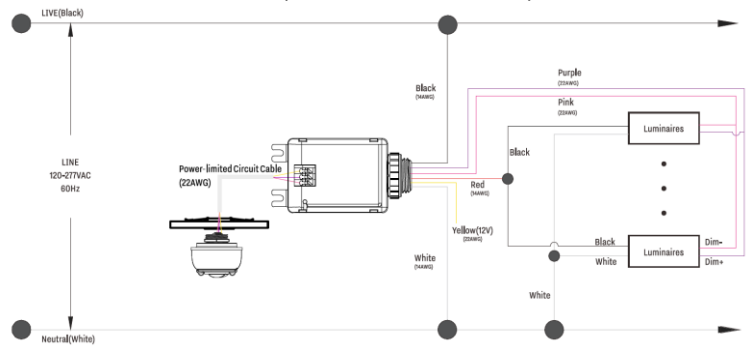
Features	
Powered by luminaire controllers (PPA103S)	
Easily installed to any ceiling	
PIR technology	
Daylight harvesting available	
Schedule lighting	
On/off with dimming option	



It is a power pack that provides 12V DC output to power sensors and switching for non-dim-to-off LED drivers. The PPA103S also provides a 0-10V dimming wire for bi-level motion control and relay output.

Parameters	
Input Voltage	120-347V
Output Power	360W
Application	Indoor
Bluetooth Transmit	200ft MAX
Operating Temperature	-30°C to 55°C
IP Rating	IP20
Installation	Flat Surface
Knockout	½ inch US standard

Features	
high-efficiency switching power supply and a 6A relay	
Well-suited for applications that require high-voltage switching through low voltage controls	
Offers 12VDC, 200mA to power the sensor	
Needs Sensor	
Can power up to 360W total power fixtures (ex: 10 of 36W fixtures)	



Cylinder LED Light

Architectural Cuboid | 2.8" Aperture | 10" Height

OVERVIEW



Innovative Design

- Aluminum die cast housing for better heat dissipation.
- Improved design extends LED and driver lifespan.



Mountings Options

- Surface mount.
- Stem mount; 1', 2', 3', and 4' (0.5" thickness).
- Wall mount



Multiple Options

- 42W power | 3,440 Lumens
- Variety of beam angles.
- Four CCTs available.
- Black, white.



Tests And Certifications



Features

- 1% Dim
- Power Tunable (25W – 42W)

