

ELEGANZA

eralux[®]

Cylinder LED Light

Architectural Round Cylinder | 3.7" Aperture | 12" Height

The ELEGANZA Pendant series combines elegance and easy installation, featuring a machined aluminum body. With 95 lumens per watt and power consumption up to 20W for surface mounts and 28W for suspended, it offers four beam angles. Various mounting options include wall, surface, pendant, and cord stem.

Applications: Art Galleries | Show Rooms | Retail Stores | Hospitality | Education


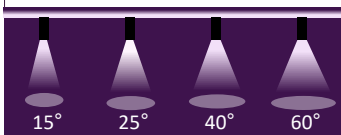
	DATE	QTY	ACC. QTY	TYPE
PROJECT				
PN				
ACCESSORY PN				
NOTES				

DYNAMIC MENU

Order Information	Page 2
Dimensions	Page 3
Photometric Data	Page 5
Overview	Page 6

[Install Instruction link](#)

SPECIFICATIONS

Input Voltage	120-277V
Power Factor	>0.9
Total Harmonic Distortion	<20%
Dimming Page 4	TRIAC & 0-10V Dimming
CRI	90 CRI
CCT	27K 30K 35K 40K
Efficacy	95 lm/W
Power	20W 28W
Ambient Temperature Range	10°C to 35°C
Mounting Options	Wall Stem Pendant Surface 
Fixture Finish	Black White Silver Custom
Distribution	Spot Narrow Flood Wide 



PRODUCT FEATURES



PRODUCT CERTIFICATIONS



SYSTEM WARRANTY – 5 YEARS

Eralux will warrant defective drivers, LEDs and boards for 5 years from the date of purchase. This warranty is valid only if the fixture is installed and used as per installation guides and specifications. If a defect is present, Eralux will send drivers and boards at no fee with a thorough replacement instructions along with instructions on the return of the defective parts back to Eralux.

LUMEN MAINTENANCE – L70 at 50,000 hours

Rated for 70% initial lumen output at 50,000 hours of operation, operated at 25°C ambient temperature; per guidelines published by the Illuminating Engineering Society (IES).

Cylinder LED Light

Architectural Round Cylinder | 3.7" Aperture | 12" Height

ORDERING GUIDE

AE-TL-EZ-40R-12					
AE-TL-EZ ERALUX ELEGANZA Architectural Round Cylinder 12" Height	-SF Surface Mount -WM Wall mount -PC-12 Pendant 12' Aircraft Cable Adjustable 1-12' -SM-01 Stem Mount 1' Stem -SM-02 Stem Mount 2' Stem -SM-03 Stem Mount 3' Stem -SM-04 Stem Mount 4' Stem	-20 20W 1900 lm -28¹ 28W 2400 lm	-P27 2700K -P30 3000K -P35 3500K -P40 4000K 90 CRI	15 15° 30 25° 40 40° 55 55°	BK Black powder coat WH White powder coat SV Silver powder Coat RALXXXX Costum

Fixture Family	Mounting	Power	CCT	Distribution	Finish
----------------	----------	-------	-----	--------------	--------

1. Not available for Surface Mount

Custom Color Guide

 RAL 6005 MOSS GREEN	 RAL 6032 SIGNAL GREEN	 RAL 6027 LIGHT GREEN	 RAL 5003 SAPPHIRE BLUE	 RAL 7001 SILVER GREY
 RAL 7033 CEMENT GREY	 RAL 7038 AGATE GREY	 RAL 9001 CREAM	 RAL 9006 SILVER	 RAL 7040 WINDOW GREY
 RAL 1015 LIGHT IVORY	 RAL 2012 SALMON ORANGE	 RAL 3031 ORIENT RED	 RAL 8024 BEIGE BROWN	 RAL 9003 SIGNAL WHITE
 RAL 9007 GREY ALUMINIUM	 RAL 9022 LIGHT PEARL GREY	 RAL 9023 PEARL DARK GREY	 RAL 7011 IRON GREY	 RAL 9004 SIGNAL BLACK



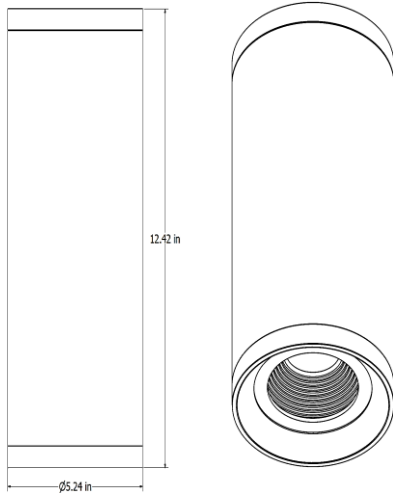
Cylinder LED Light

Architectural Round Cylinder | 3.7" Aperture | 12" Height

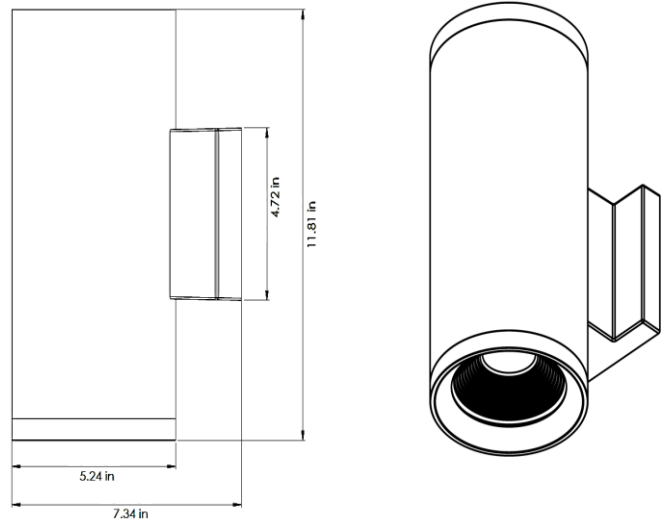
DIMENSIONS

AE-TL-EZ-40R

Surface mount

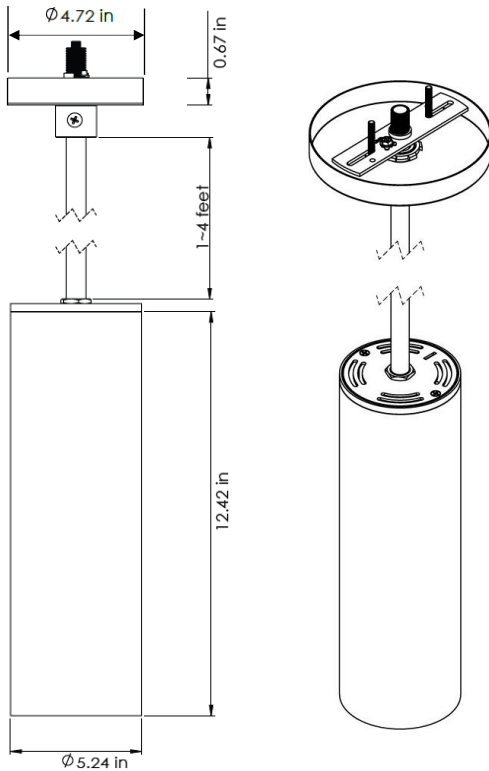


Wall Mount



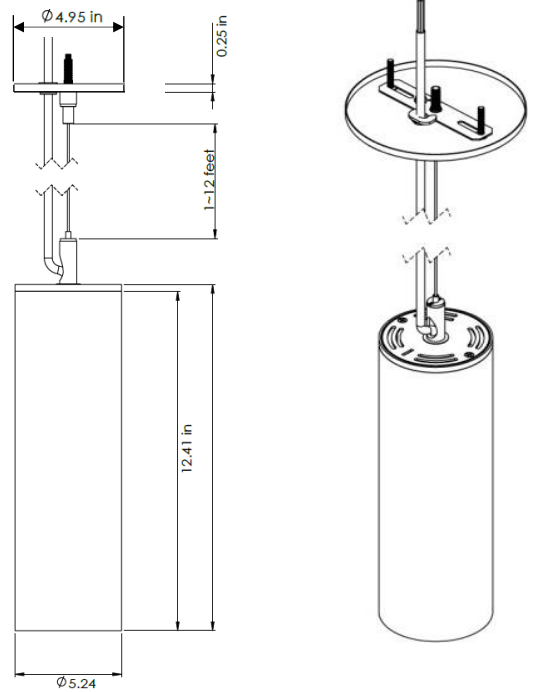
Stem Mount

Stem: 0.5" thickness | 4 sizes; 1', 2', 3' & 4'



Pendant Cord

Cord: Adjustable length from 1 to 12'



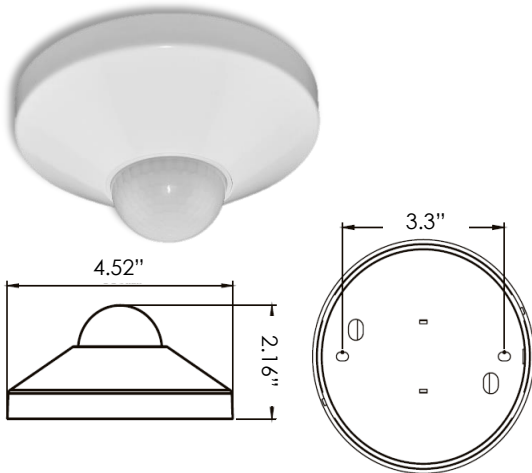
Cylinder LED Light

Architectural Round Cylinder | 3.7" Aperture | 12" Height

ROOM OCCUPANCY SENSOR

Ordered separately, field installed

PART NUMBER	DESCRIPTION
AE-CT-DT806	Detecta - Room Occupancy Sensor
RC102	RC102 Remote Control



SPECIFICATIONS		
Input Voltage	120-277 Vac	
Power Frequency	50/60HZ	
Rated Load	At 120 Vac	800W
	At 277 Vac	1200W
Detection Range	3-10 Meters	
	9.8-32.75 Feet	
Standby Power	~0.9W	
Time Setting	10 sec to 30 min	
Light Control	10-2,000LUX	
Installation	Ceiling Mounted	

DIMMER COMPATIBILITY LIST

TRIAC/ELV Dimming

Brand	Model	Brand	Model
LUTRON	SLV-600X	LEVITON	6602-X
	S2-LX		6681-X
	GL-600H		6683-X
	NFTU-5A		6684-X
	DVLV-600P		700-X
COOPER	9530XXX		705-X
LIGHTOLIER	MP600X		6633
ADVANCE	SR150LED120		6674
			IPI06-1LZ

0-10V Dimming

Brand	Model
LUTRON, NOVA SERIES	NFTV
LUTRON, DIVA SERIES	DVTV
LEVITON, ILLUMATECH SERIES	IP710-DL

Cylinder LED Light

Architectural Round Cylinder | 3.7" Aperture | 12" Height

LUMEN ESTIMATE

Lumen output varies based on CCT and CRI. An estimate of lumen output of the various CCT/CRI combinations, use correction factors as per table below:

LUMEN ESTIMATE ADJUSTMENT FACTORS

CCT	2700K	3000K	3500K	4000K
90CRI	0.78	0.81	0.84	0.86

PHOTOMETRIC DATA

PART NUMBER		ZONAL LUMEN SUMMARY			POLAR LUMINOUS INTENSITY	CONE DISTRIBUTION			
AE-CYL-EZ-40R12-XX-00-28-C3015		Zone	Lumens	% Fixture	Direct Light	Center Beam Fc		Beam Width	
Wattage	28W	0-20°	1536.28	66.2		1.7ft	4786 fc	0.5 ft	0.5 ft
CCT	3000K	0-30°	2106.94	90.7		3.3ft	1270 fc	0.9 ft	0.9 ft
Distribution	15°	0-40°	2244.68	96.7		5.0ft	553 fc	1.4 ft	1.4 ft
		0-60°	2278.36	98.1		6.7ft	308 fc	1.8 ft	1.8 ft
		0-80°	2289.9	98.6		8.3ft	201 fc	2.3 ft	2.3 ft
		0-90°	2293.94	98.8		10.0ft	138 fc	2.7 ft	2.7 ft
						■ Vert. Spread: 15.5° ■ Horiz. Spread: 15.6°			

PART NUMBER		ZONAL LUMEN SUMMARY			POLAR LUMINOUS INTENSITY	CONE DISTRIBUTION			
AE-CYL-EZ-40R12-XX-00-28-C3030		Zone	Lumens	% Fixture	Direct Light	Center Beam Fc		Beam Width	
Wattage	28W	0-20°	1457.97	62.4		1.7ft	2298 fc	0.9 ft	0.9 ft
CCT	3000K	0-30°	2095.26	89.6		3.3ft	610 fc	1.7 ft	1.8 ft
Distribution	25°	0-40°	2255.39	96.5		5.0ft	266 fc	2.6 ft	2.7 ft
		0-60°	2292.87	98.1		6.7ft	148 fc	3.5 ft	3.6 ft
		0-80°	2304.39	98.6		8.3ft	96.4 fc	4.4 ft	4.4 ft
		0-90°	2308.63	98.8		10.0ft	66.4 fc	5.2 ft	5.3 ft
						■ Vert. Spread: 29.4° ■ Horiz. Spread: 29.8°			

PART NUMBER		ZONAL LUMEN SUMMARY			POLAR LUMINOUS INTENSITY	CONE DISTRIBUTION			
AE-CYL-EZ-40R12-XX-00-28-C3040		Zone	Lumens	% Fixture	Direct Light	Center Beam Fc		Beam Width	
Wattage	28W	0-20°	1356.46	58.5		1.7ft	1641 fc	1.2 ft	1.2 ft
CCT	3000K	0-30°	2059.68	88.9		3.3ft	435 fc	2.4 ft	2.4 ft
Distribution	40°	0-40°	2231.22	96.3		5.0ft	190 fc	3.6 ft	3.6 ft
		0-60°	2272.81	98.1		6.7ft	106 fc	4.8 ft	4.9 ft
		0-80°	2284.34	98.6		8.3ft	68.8 fc	6.0 ft	6.0 ft
		0-90°	2288.57	98.7		10.0ft	47.4 fc	7.2 ft	7.3 ft
						■ Vert. Spread: 39.5° ■ Horiz. Spread: 39.9°			

Cylinder LED Light

Architectural Round Cylinder | 3.7" Aperture | 12" Height

OVERVIEW



Innovative Design

- Aluminum die cast housing for better heat dissipation.
- Improved design extends LED and driver lifespan.

Multiple Options

- 20W power | 1,900 Lumens
- 19W power | 2,400 Lumens
- Variety of beam angles.
- Three CCTs available.
- Black, white, and silver finishes.

Mountings Options

- Surface mount.
- Stem mount; 1', 2', 3', and 4' (0.5" thickness).
- Pendant cord mount; adjustable 1-12' cord.
- Wall mount



Tests And Certifications



Feature

- Customized color

