

ELEGANZA

eralux®

Cylinder LED Light

Architectural Round Cylinder | 3.7" Aperture | 12" Height

The ELEGANZA Pendant series combines elegance and easy installation, featuring a machined aluminum body. With 95 lumens per watt and power consumption up to 20W for surface mounts and 28W for suspended, it offers four beam angles. Various mounting options include wall, surface, pendant, and cord stem.

Applications: Art Galleries | Show Rooms | Retail Stores | Hospitality | Education

	DATE	QTY	ACC. QTY	TYPE
PROJECT				
PN				
ACCESSORY PN				
NOTES				



DYNAMIC MENU

Order Information	Page 2
Dimensions	Page 3
Photometric Data	Page 5
Overview	Page 6

[Install Instruction link](#)

SPECIFICATIONS

Input Voltage	120-277V
Power Factor	>0.9
Total Harmonic Distortion	<20%
Dimming Page 4	TRIAC & 0-10V Dimming
CRI	90 CRI
CCT	<div style="display: flex; gap: 10px;"> <div style="border: 1px solid black; border-radius: 50%; width: 20px; height: 20px; background-color: #fff9c4; display: flex; align-items: center; justify-content: center;">27K</div> <div style="border: 1px solid black; border-radius: 50%; width: 20px; height: 20px; background-color: #fff176; display: flex; align-items: center; justify-content: center;">30K</div> <div style="border: 1px solid black; border-radius: 50%; width: 20px; height: 20px; background-color: #e0e0e0; display: flex; align-items: center; justify-content: center;">35K</div> <div style="border: 1px solid black; border-radius: 50%; width: 20px; height: 20px; background-color: #bbdefb; display: flex; align-items: center; justify-content: center;">40K</div> </div>
Efficacy	95 lm/W
Power	20W 28W
Ambient Temperature Range	10°C to 35°C
Mounting Options	Wall Stem Pendant Surface
Fixture Finish	Black White Silver Custom
Distribution	Spot Narrow Flood Wide



PRODUCT FEATURES



Custom Color

PRODUCT CERTIFICATIONS



SYSTEM WARRANTY – 5 YEARS

Eralux will warrant defective drivers, LEDs and boards for 5 years from the date of purchase. This warranty is valid only if the fixture is installed and used as per installation guides and specifications. If a defect is present, Eralux will send drivers and boards at no fee with a thorough replacement instructions along with instructions on the return of the defective parts back to Eralux.

LUMEN MAINTENANCE – L70 at 50,000 hours

Rated for 70% initial lumen output at 50,000 hours of operation, operated at 25°C ambient temperature; per guidelines published by the Illuminating Engineering Society (IES).

Cylinder LED Light

Architectural Round Cylinder | 3.7" Aperture | 12" Height

ORDERING GUIDE

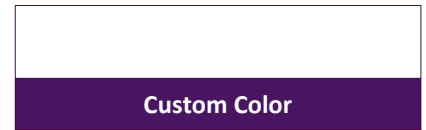
AE-TL-EZ-40R12					-P-T	
AE-TL-EZ-40R12 ERALUX ELEGANZA Architectural Round Cylinder 12" Height	-SF Surface Mount -WM Wall mount -PC-12 Pendant 12' Aircraft Cable Adjustable 1-12' -SM-01 Stem Mount 1' Stem -SM-02 Stem Mount 2' Stem -SM-03 Stem Mount 3' Stem -SM-04 Stem Mount 4' Stem	-20 20W 1900 lm -28¹ 28W 2400 lm	-C27 2700K -C30 3000K -C35 3500K -C40 4000K 90 CRI	15 15° 30 25° 40 40° 55 55°	-P-T 90 CRI	-BK Black powder coat -WH White powder coat -SV Silver powder Coat -RALXXX Costum

Fixture Family	Mounting	Power	CCT	Distribution	CRI	Finish
-----------------------	-----------------	--------------	------------	---------------------	------------	---------------

NOTE 1. Not available for Surface Mount

Custom Color Guide

RAL 6005 MOSS GREEN	RAL 6032 SIGNAL GREEN	RAL 6027 LIGHT GREEN	RAL 5003 SAPPHIRE BLUE	RAL 7001 SILVER GREY
RAL 7033 CEMENT GREY	RAL 7038 ACATE GREY	RAL 9001 CREAM	RAL 9006 SILVER	RAL 7040 WINDOW GREY
RAL 1015 LIGHT IVORY	RAL 2012 SALMON ORANGE	RAL 3031 ORIENT RED	RAL 8024 BEIGE BROWN	RAL 9003 SIGNAL WHITE
RAL 9007 GREY ALUMINIUM	RAL 9022 LIGHT PEARL GREY	RAL 9023 PEARL DARK GREY	RAL 7011 IRON GREY	RAL 9004 SIGNAL BLACK



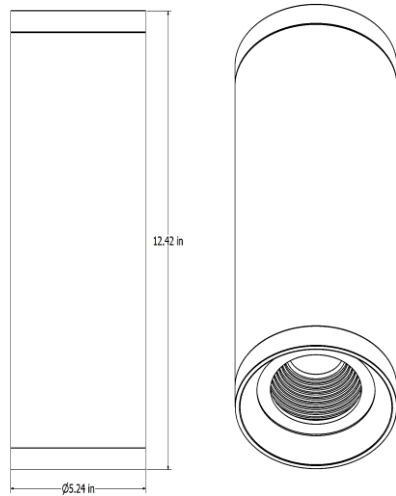
Cylinder LED Light

Architectural Round Cylinder | 3.7" Aperture | 12" Height

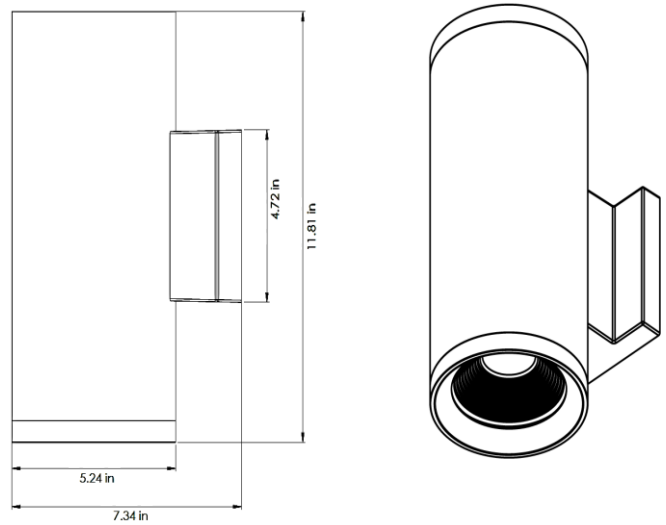
DIMENSIONS

AE-TL-EZ-40R

Surface mount



Wall Mount

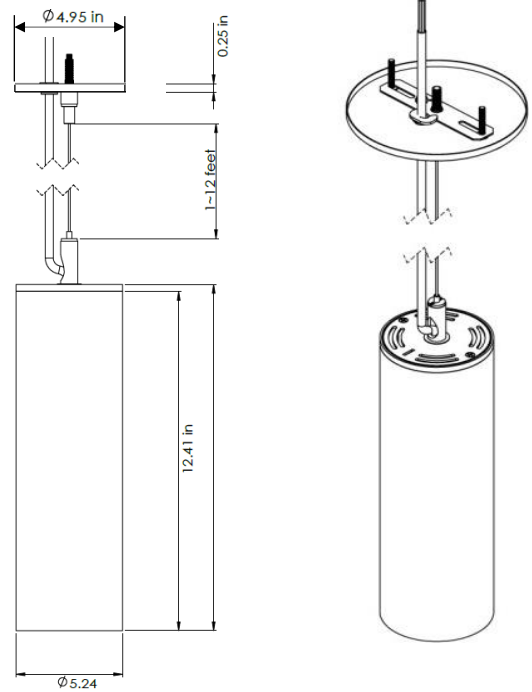
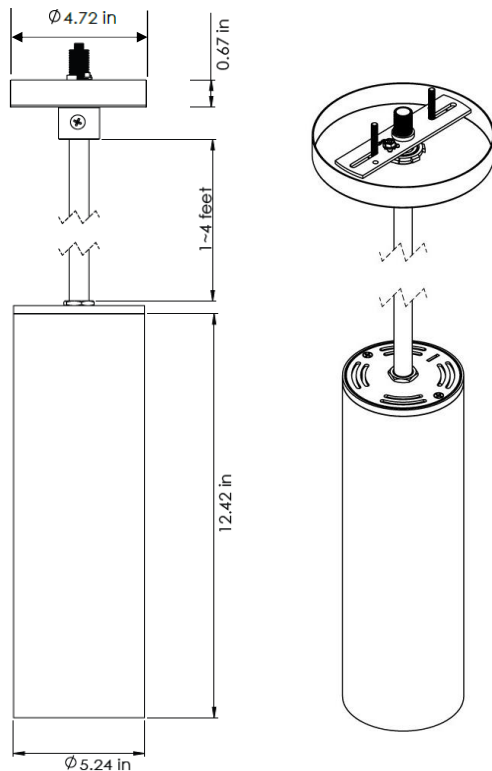


Stem Mount

Stem: 0.5" thickness | 4 sizes; 1', 2', 3' & 4'

Pendant Cord

Cord: Adjustable length from 1 to 12'



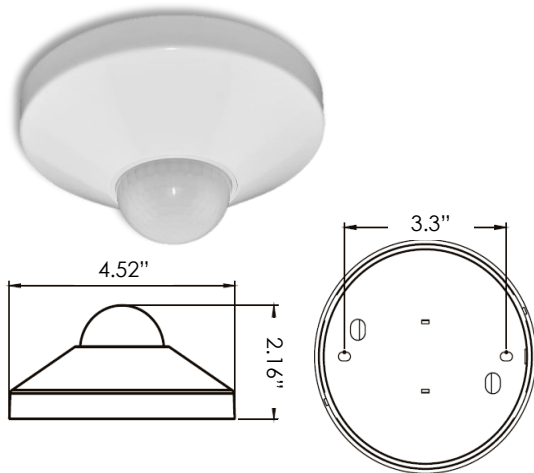
Cylinder LED Light

Architectural Round Cylinder | 3.7" Aperture | 12" Height

ROOM OCCUPANCY SENSOR

Ordered separately, field installed

PART NUMBER	DESCRIPTION
AE-CT-DT806	Detecta - Room Occupancy Sensor
RC102	RC102 Remote Control



SPECIFICATIONS		
Input Voltage	120-277 Vac	
Power Frequency	50/60HZ	
Rated Load	At 120 Vac	800W
	At 277 Vac	1200W
Detection Range	3-10 Meters	
	9.8-32.75 Feet	
Standby Power	~0.9W	
Time Setting	10 sec to 30 min	
Light Control	10-2,000LUX	
Installation	Ceiling Mounted	

DIMMER COMPATIBILITY LIST

TRIAC/ELV Dimming

Brand	Model	Brand	Model
LUTRON	SLV-600X	LEVITON	6602-X
	S2-LX		6681-X
	GL-600H		6683-X
	NFTU-5A		6684-X
	DVLV-600P		700-X
COOPER	9530XXX		705-X
LIGHTOLIER	MP600X		6633
ADVANCE	SR150LED120		6674
			IPI06-1LZ

0-10V Dimming

Brand	Model
LUTRON, NOVA SERIES	NFTV
LUTRON, DIVA SERIES	DVTV
LEVITON, ILLUMATECH SERIES	IP710-DL

Cylinder LED Light

Architectural Round Cylinder | 3.7" Aperture | 12" Height

LUMEN ESTIMATE

Lumen output varies based on CCT and CRI. An estimate of lumen output of the various CCT/CRI combinations, use correction factors as per table below:

LUMEN ESTIMATE ADJUSTMENT FACTORS

CCT	2700K	3000K	3500K	4000K
90CRI	0.78	0.81	0.84	0.86

PHOTOMETRIC DATA

PART NUMBER		ZONAL LUMEN SUMMARY			POLAR LUMINOUS INTENSITY	CONE DISTRIBUTION			
AE-CYL-EZ-40R12-XX-00-28-C3015		Zone	Lumens	% Fixture	Direct Light	Center Beam Fc			
Wattage	28W	0-20°	1536.28	66.2		1.7R	4786 fc	0.5 ft	0.5 ft
CCT	3000K	0-30°	2106.94	90.7		3.3R	1270 fc	0.9 ft	0.9 ft
Distribution	15°	0-40°	2244.68	96.7		5.0R	553 fc	1.4 ft	1.4 ft
		0-60°	2278.36	98.1		6.7R	308 fc	1.8 ft	1.8 ft
		0-80°	2289.9	98.6		8.3R	201 fc	2.3 ft	2.3 ft
		0-90°	2293.94	98.8		10.0R	138 fc	2.7 ft	2.7 ft
					■ Vert. Spread: 15.5° ■ Horiz. Spread: 15.6°				
AE-CYL-EZ-40R12-XX-00-28-C3030		Zone	Lumens	% Fixture	Direct Light	Center Beam Fc			
Wattage	28W	0-20°	1457.97	62.4		1.7R	2298 fc	0.9 ft	0.9 ft
CCT	3000K	0-30°	2095.26	89.6		3.3R	610 fc	1.7 ft	1.8 ft
Distribution	25°	0-40°	2255.39	96.5		5.0R	266 fc	2.6 ft	2.7 ft
		0-60°	2292.87	98.1		6.7R	148 fc	3.5 ft	3.6 ft
		0-80°	2304.39	98.6		8.3R	96.4 fc	4.4 ft	4.4 ft
		0-90°	2308.63	98.8		10.0R	66.4 fc	5.2 ft	5.3 ft
					■ Vert. Spread: 29.4° ■ Horiz. Spread: 29.8°				
AE-CYL-EZ-40R12-XX-00-28-C3040		Zone	Lumens	% Fixture	Direct Light	Center Beam Fc			
Wattage	28W	0-20°	1356.46	58.5		1.7R	1641 fc	1.2 ft	1.2 ft
CCT	3000K	0-30°	2059.68	88.9		3.3R	435 fc	2.4 ft	2.4 ft
Distribution	40°	0-40°	2231.22	96.3		5.0R	190 fc	3.6 ft	3.6 ft
		0-60°	2272.81	98.1		6.7R	106 fc	4.8 ft	4.9 ft
		0-80°	2284.34	98.6		8.3R	68.8 fc	6.0 ft	6.0 ft
		0-90°	2288.57	98.7		10.0R	47.4 fc	7.2 ft	7.3 ft
					■ Vert. Spread: 39.5° ■ Horiz. Spread: 39.9°				

Cylinder LED Light

Architectural Round Cylinder | 3.7" Aperture | 12" Height

OVERVIEW



Innovative Design

- Aluminum die cast housing for better heat dissipation.
- Improved design extends LED and driver lifespan.



Multiple Options

- 20W power | 1,900 Lumens
- 19W power | 2,400 Lumens
- Variety of beam angles.
- Three CCTs available.
- Black, white, and silver finishes.



Mountings Options

- Surface mount.
- Stem mount; 1', 2', 3', and 4' (0.5" thickness).
- Pendant cord mount; adjustable 1-12' cord.
- Wall mount



Tests And Certifications



Feature

- Customized color

