

# EQUATOR SERIES

eralux®

## TRACK LED LIGHT

### Cylinder Track Head | 3 Sizes | Adjustable Beam Angle

The EQUATOR is a cylinder track head offers a range of optical options, multiple sizing and beam angles available. Its accessories and mounting options allow for seamless customization. With straight forward installation, adjustments to the lighting can be made quickly and effortlessly on field. It will brighten your space by offering 2450 lumens.

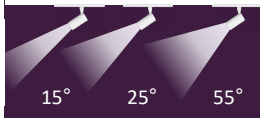
Applications: Art Galleries | Show Rooms | Retail Stores | Hospitality

	DATE	QTY	ACC. QTY	TYPE
PROJECT				
PN				
ACCESSORY PN				
NOTES				

DYNAMIC MENU	
Order Information	<a href="#">Page 2</a>
Dimensions	<a href="#">Page 2</a>
Accessories	<a href="#">Page 3</a>
Photometric Data	<a href="#">Page 4</a>

[Install Instruction link](#)

### SPECIFICATIONS

Input Voltage	120V-277V
Power Factor	>0.9
Total Harmonic Distortion	<20%
Dimming <a href="#">Page 3</a>	TRIAC dimming
CRI	90 CRI
CCT	<span>27K</span> <span>30K</span> <span>35K</span> <span>40K</span> <span>50K</span>
Efficacy	72 lm/W   83 lm/W   79 lm/W
Power	14W   20W   29W
Ambient Temperature Range	-10°C to 35°C
Mounting Adapter	Juno   Global   Halo   Lightolier
Mounting Options	Track System   Monopoint
Fixture Finish	Black   White
Distribution	Narrow   Flood   Wide 



### PRODUCT FEATURES



### PRODUCT CERTIFICATIONS



### SYSTEM WARRANTY – 5 YEARS

Eralux will warrant defective drivers, LEDs and boards for 5 years from the date of purchase. This warranty is valid only if the fixture is installed and used as per installation guides and specifications. If a defect is present, Eralux will send drivers and boards at no fee with a thorough replacement instructions along with instructions on the return of the defective parts back to Eralux.

### LUMEN MAINTENANCE – L70 at 50,000 hours

Rated for 70% initial lumen output at 50,000 hours of operation, operated at 25°C ambient temperature; per guidelines published by the Illuminating Engineering Society (IES).

## TRACK LED LIGHT

Cylinder Track Head | 3 Sizes | Adjustable Beam Angle



### ORDERING GUIDE

	<b>12</b>	<b>-VA</b>	<b>P</b>	<b>2750</b>		
<b>TL-EQM</b> ERALUX Equator Mini Track Head 2.4" Aperture 1000lm	<b>12</b> 120V	<b>-VA</b> Variable Distribution 15° to 53°	<b>P</b> Premium 90 CRI	<b>2750</b> 27/30/35/40/50K CCT Switchable	<b>J1</b> Juno <b>G1</b> Global <b>H1</b> Halo <b>L1</b> Lightolier	<b>BK</b> Black powder coat <b>WH</b> White powder coat
<b>TL-EQ</b> ERALUX Equator Track Head 2.8" Aperture 1660lm		Variable Distribution 19° to 52°				
<b>TL-EQG</b> ERALUX Equator Grande Track Head 3.1" Aperture 2300lm		Variable Distribution 20° to 44°				

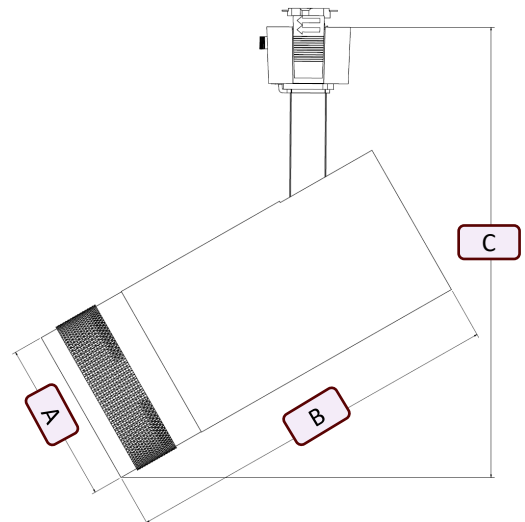
<b>Fixture Family</b>	<b>Voltage</b>	<b>Distribution</b>	<b>CRI</b>	<b>CCT</b>	<b>Adapter</b>	<b>Finish</b>
-----------------------	----------------	---------------------	------------	------------	----------------	---------------

### DIMENSIONS

TL-EQX12

- Rotation up to 355°

Dimensions			
	TL-EQM12	TL-EQ12	TL-EQG12
<b>A</b>	Ø 2.4 in	Ø 2.8 in	Ø 3.1 in
<b>B</b>	6.28 in	6.66 in	6.89 in
<b>C</b>	7.32 in	7.88 in	8.28 in



## TRACK LED LIGHT

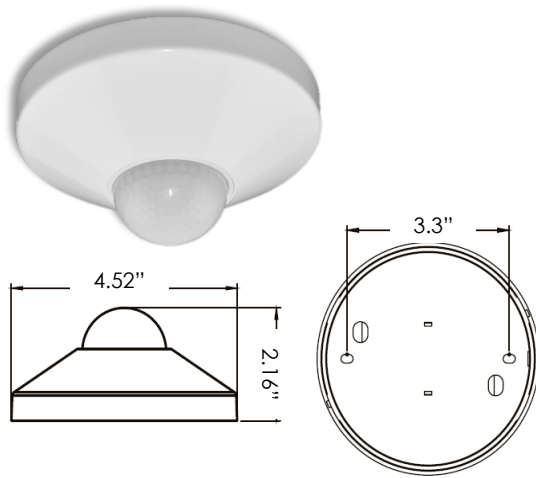
Cylinder Track Head | 3 Sizes | Adjustable Beam Angle

### ROOM OCCUPANCY SENSOR

Ordered separately, field installed

PART NUMBER	DESCRIPTION
AE-CT-DT806	Detecta - Room Occupancy Sensor
RC100	RC102 Remote Control

SPECIFICATIONS	
Input Voltage	120-277 Vac
Power Frequency	50/60HZ
Rated Load	At 120 Vac   800W
	At 277 Vac   1200W
Detection Range	3-10 Meters
	9.8-32.75 Feet
Standby Power	~0.9W
Time Setting	10 sec to 30 min
Light Control	10-2,000LUX
Installation	Ceiling Mounted



### DIMMER COMPATIBILITY LIST

TRIAC/ELV Dimming

Brand	Model
LUTRON	DV-600P
	DVELV-303P
	Lutron S-603P
	Lutron NTLV-600
	Lutron SF-10P
	Lutron S2-L
	Lutron MA-1000
	Lutron S-600P
	Cooper 9530
	Cooper SLC03P
	Lutron LGCL-153P

## TRACK LED LIGHT

Cylinder Track Head | 3 Sizes | Adjustable Beam Angle

### MOUNTING ACCESSORIES

ORDERING CODE		DESCRIPTION	PICTURE
T10016	-WH	Monopoint adapter Surface / wall mount Compatible with Juno system 1 Track head can be installed.	
	-BK		
T10017	-WH	Duopoint adapter Surface / wall mount Compatible with Juno system. 2 Track heads can be installed.	
	-BK		

### LUMEN ESTIMATE

Lumen output varies based on CCT and CRI. An estimate of lumen output of the various CCT/CRI combinations, use correction factors as per table below:

#### LUMEN ESTIMATE ADJUSTMENT FACTORS

CCT	3000K	3500K	4000K
PREMIUM (90CRI)	1	1.03	1.07

### PHOTOMETRIC DATA EQUATOR MINI

PART NUMBER		ZONAL LUMEN SUMMARY		POLAR LUMINOUS INTENSITY	CONE DISTRIBUTION				
TL-EQM12-VAP2750XXX		Zone	Lumens	% Fixture	Direct Light	Center Beam Fc	Beam Width		
Wattage	16W	0-20°	902.47	82.1		1.7ft	3784 fc	0.5 ft	0.5 ft
CCT	3000K	0-30°	981.61	89.3		3.3ft	1004 fc	0.9 ft	0.9 ft
Distribution	15°	0-40°	1017.42	92.6		5.0ft	437 fc	1.3 ft	1.3 ft
CBCP	4499	0-60°	1057.33	96.2		6.7ft	244 fc	1.8 ft	1.8 ft
		0-80°	1074.36	97.8		8.3ft	159 fc	2.2 ft	2.2 ft
		0-90°	1078.38	98.1	10.0ft	109 fc	2.7 ft	2.7 ft	
						■ Vert. Spread: 15.3° ■ Horiz. Spread: 15.3°			

PART NUMBER		ZONAL LUMEN SUMMARY		POLAR LUMINOUS INTENSITY	CONE DISTRIBUTION				
TL-EQM12-VAP2750XXX		Zone	Lumens	% Fixture	Direct Light	Center Beam Fc	Beam Width		
Wattage	16W	0-20°	612.67	43.4		1.7ft	659 fc	1.6 ft	1.6 ft
CCT	3000K	0-30°	1046.21	74.1		3.3ft	175 fc	3.1 ft	3.1 ft
Distribution	53°	0-40°	1289.31	91.3		5.0ft	76.2 fc	4.7 ft	4.7 ft
CBCP	3424	0-60°	1373.57	97.3		6.7ft	42.4 fc	6.2 ft	6.3 ft
		0-80°	1387.82	98.3		8.3ft	27.6 fc	7.7 ft	7.8 ft
		0-90°	1391.55	98.5	10.0ft	19 fc	9.3 ft	9.4 ft	
						■ Vert. Spread: 50.0° ■ Horiz. Spread: 50.1°			

## TRACK LED LIGHT

Cylinder Track Head | 3 Sizes | Adjustable Beam Angle

### PHOTOMETRIC DATA EQUATOR

PART NUMBER		ZONAL LUMEN SUMMARY			POLAR LUMINOUS INTENSITY	CONE DISTRIBUTION			
TL-EQ12-VAP2750XXX		Zone	Lumens	% Fixture	Direct Light	Center Beam Fc		Beam Width	
Wattage	20W	0-20°	949.77	45		1.7ft	4793 fc	0.5 ft	0.5 ft
CCT	3000K	0-30°	1649.66	78.2		3.3ft	1272 fc	1.1 ft	1.1 ft
Distribution	19°	0-40°	1986.9	94.2		5.0ft	554 fc	1.6 ft	1.6 ft
CBCP	4499	0-60°	2071.36	98.2		6.7ft	309 fc	2.2 ft	2.2 ft
		0-80°	2081.53	98.7		8.3ft	201 fc	2.7 ft	2.7 ft
		0-90°	2085.43	98.9	10.0ft	139 fc	3.2 ft	3.2 ft	
						■ Vert. Spread: 18.3° ■ Horiz. Spread: 18.4°			

PART NUMBER		ZONAL LUMEN SUMMARY			POLAR LUMINOUS INTENSITY	CONE DISTRIBUTION			
TL-EQ12-VAP2750XXX		Zone	Lumens	% Fixture	Direct Light	Center Beam Fc		Beam Width	
Wattage	20W	0-20°	949.77	45		1.7ft	963 fc	1.7 ft	1.7 ft
CCT	3000K	0-30°	1649.66	78.2		3.3ft	256 fc	3.3 ft	3.3 ft
Distribution	52°	0-40°	1986.9	94.2		5.0ft	111 fc	5.0 ft	5.0 ft
CBCP	3424	0-60°	2071.36	98.2		6.7ft	62 fc	6.6 ft	6.7 ft
		0-80°	2081.53	98.7		8.3ft	40.4 fc	8.2 ft	8.3 ft
		0-90°	2085.43	98.9	10.0ft	27.8 fc	9.9 ft	9.9 ft	
						■ Vert. Spread: 52.7° ■ Horiz. Spread: 52.9°			

### EQUATOR GRANDE

PART NUMBER		ZONAL LUMEN SUMMARY			POLAR LUMINOUS INTENSITY	CONE DISTRIBUTION			
TL-EQG12-VAP2750XXX		Zone	Lumens	% Fixture	Direct Light	Center Beam Fc		Beam Width	
Wattage	29W	0-20°	1866.46	79.2		1.7ft	5429 fc	0.6 ft	0.6 ft
CCT	3000K	0-30°	2078.53	88.2		3.3ft	1441 fc	1.1 ft	1.1 ft
Distribution	20°	0-40°	2173.85	92.3		5.0ft	628 fc	1.7 ft	1.7 ft
CBCP	4499	0-60°	2274.85	96.5		6.7ft	350 fc	2.3 ft	2.3 ft
		0-80°	2318.87	98.4		8.3ft	228 fc	2.8 ft	2.8 ft
		0-90°	2329.36	98.9	10.0ft	157 fc	3.4 ft	3.4 ft	
						■ Vert. Spread: 19.4° ■ Horiz. Spread: 19.4°			

PART NUMBER		ZONAL LUMEN SUMMARY			POLAR LUMINOUS INTENSITY	CONE DISTRIBUTION			
TL-EQG12-VAP2750XXX		Zone	Lumens	% Fixture	Direct Light	Center Beam Fc		Beam Width	
Wattage	29W	0-20°	1241.14	44.6		1.7ft	1356 fc	1.5 ft	1.5 ft
CCT	3000K	0-30°	2067.14	74.3		3.3ft	360 fc	2.9 ft	3.0 ft
Distribution	44°	0-40°	2492.87	89.6		5.0ft	157 fc	4.4 ft	4.5 ft
CBCP	3424	0-60°	2716.77	97.6		6.7ft	87.3 fc	5.9 ft	6.0 ft
		0-80°	2747.66	98.8		8.3ft	56.9 fc	7.3 ft	7.5 ft
		0-90°	2753.14	99	10.0ft	39.2 fc	8.8 ft	9.0 ft	
						■ Vert. Spread: 47.6° ■ Horiz. Spread: 48.5°			

## TRACK LED LIGHT

Cylinder Track Head | 3 Sizes | Adjustable Beam Angle

### OVERVIEW



#### Innovative Design

- Aluminum die-cast housing for better heat dissipation.
- Improved design extends LED and driver lifespan.



#### Multiple Options

- 20W power.
- Variety of beam angles.
- 5 CCTs Switchable.
- 90 CRI
- Black and White



#### Mountings Available

- Choose from any of the popular track systems such as Juno, Halo, Lightolier, or Global.
- Surface mount with either monopoint or duopoint adapters.



#### Accessories

- Detecta motion sensor to illuminate whenever presence is detected



#### Tests And Certifications

